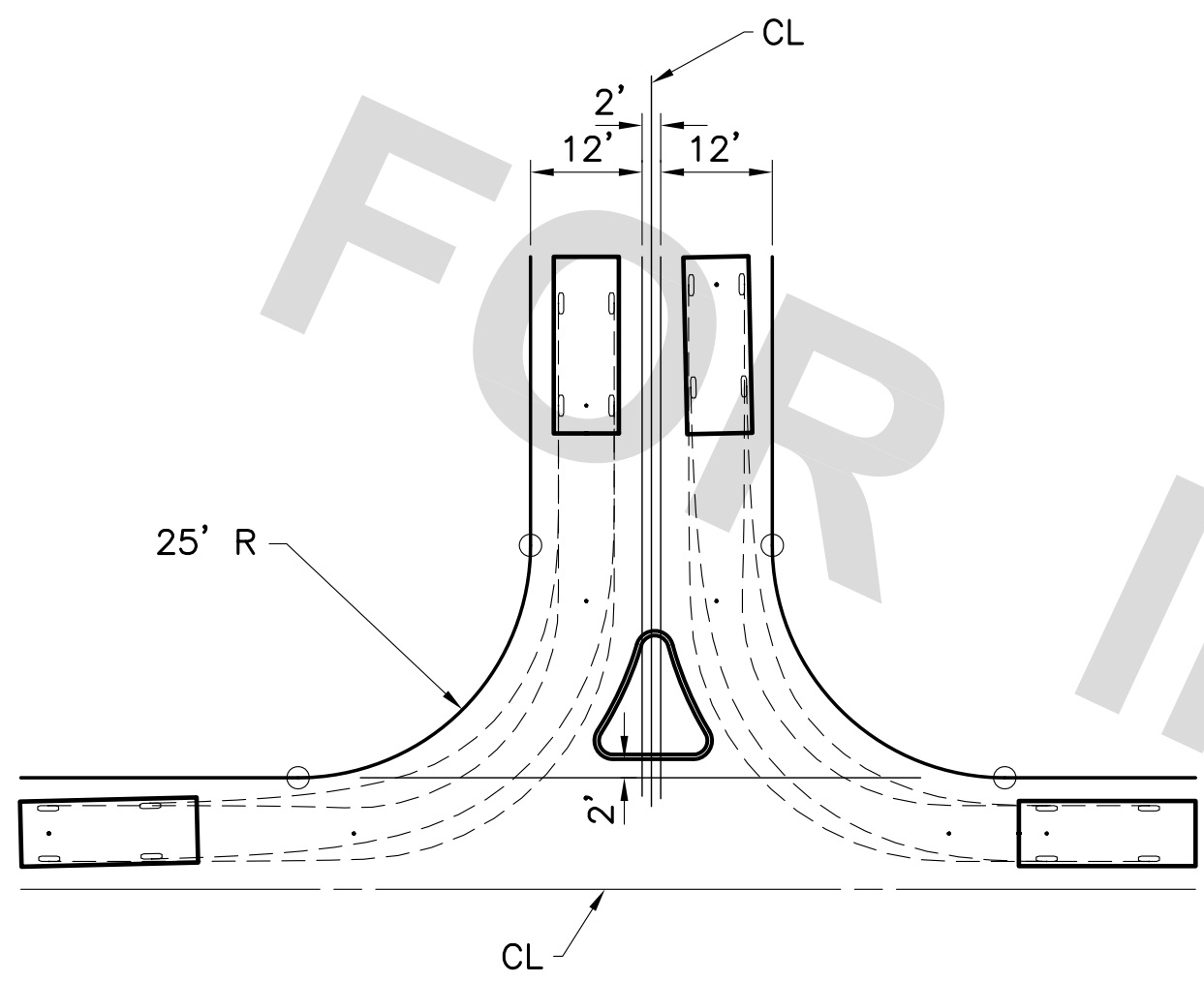
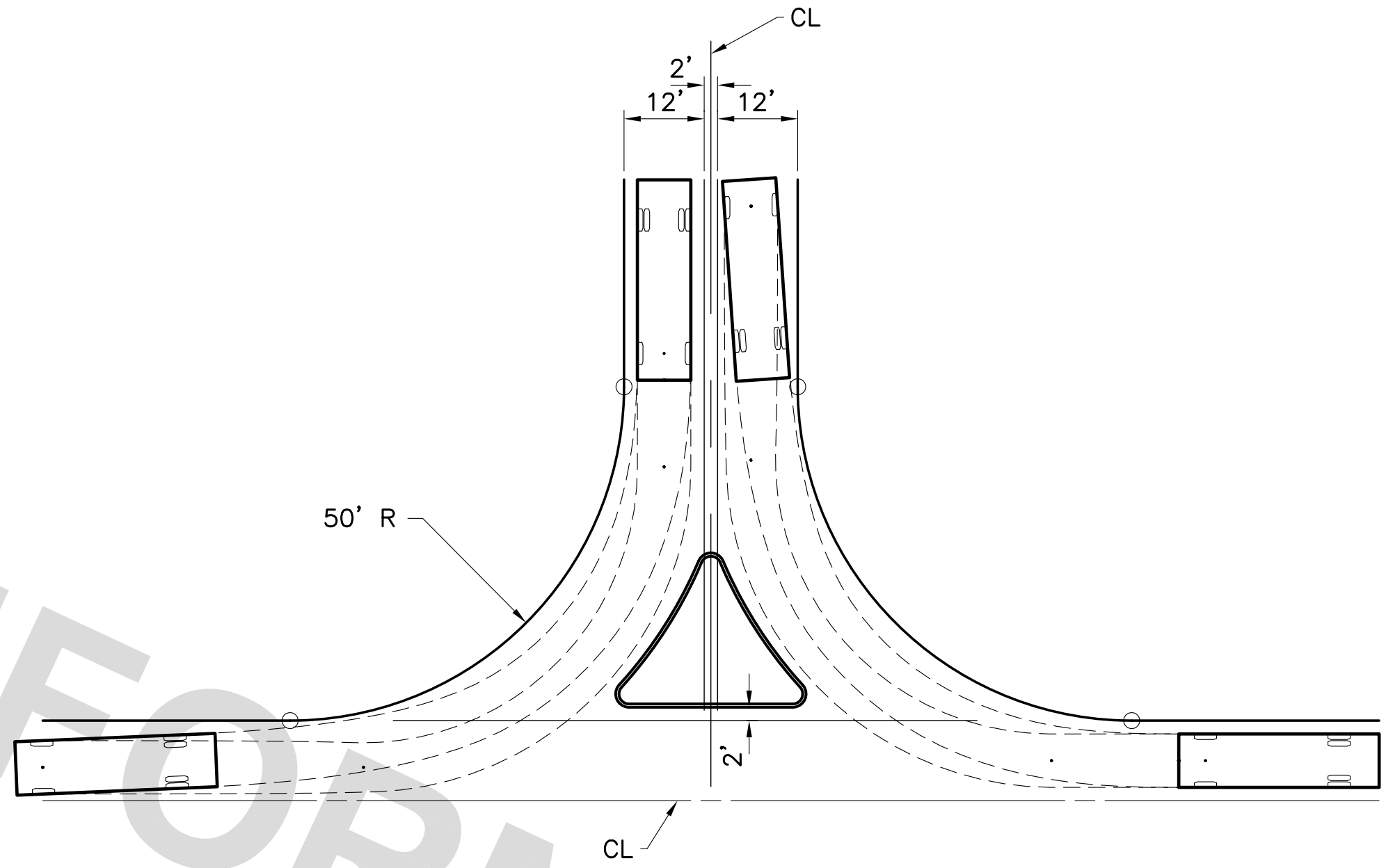


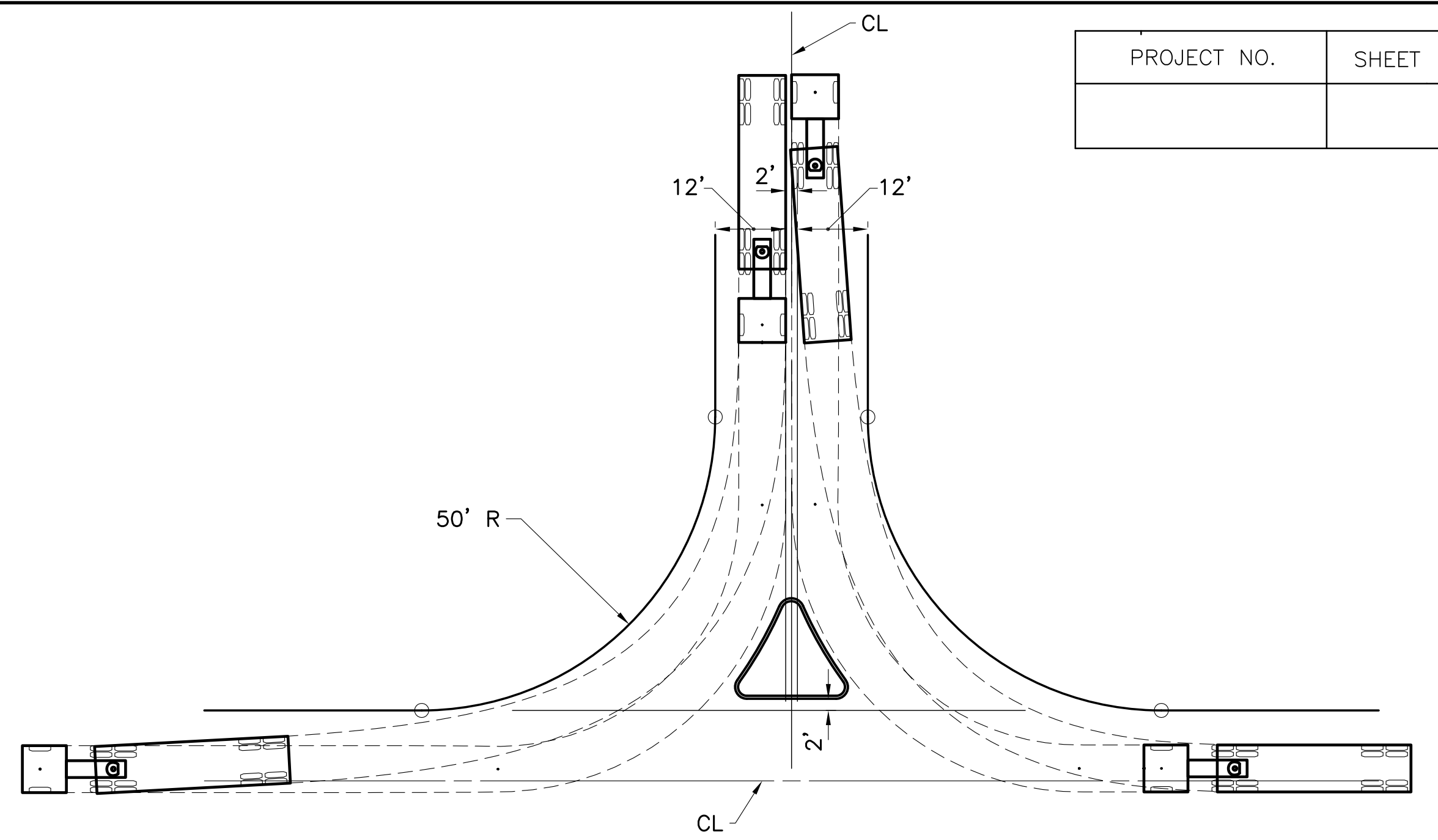
PROJECT NO.	SHEET



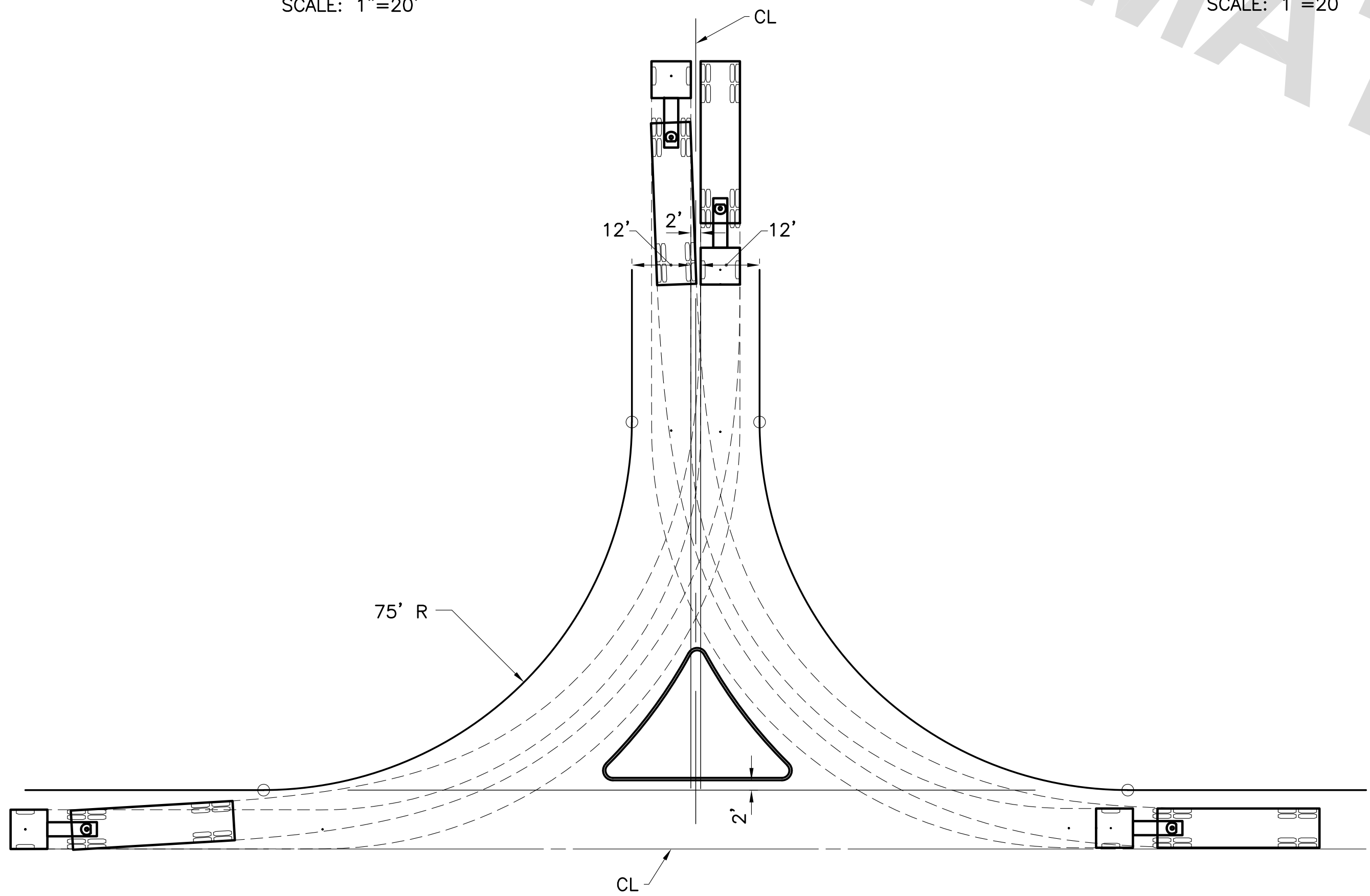
**PASSENGER CAR**  
SCALE: 1"=20'



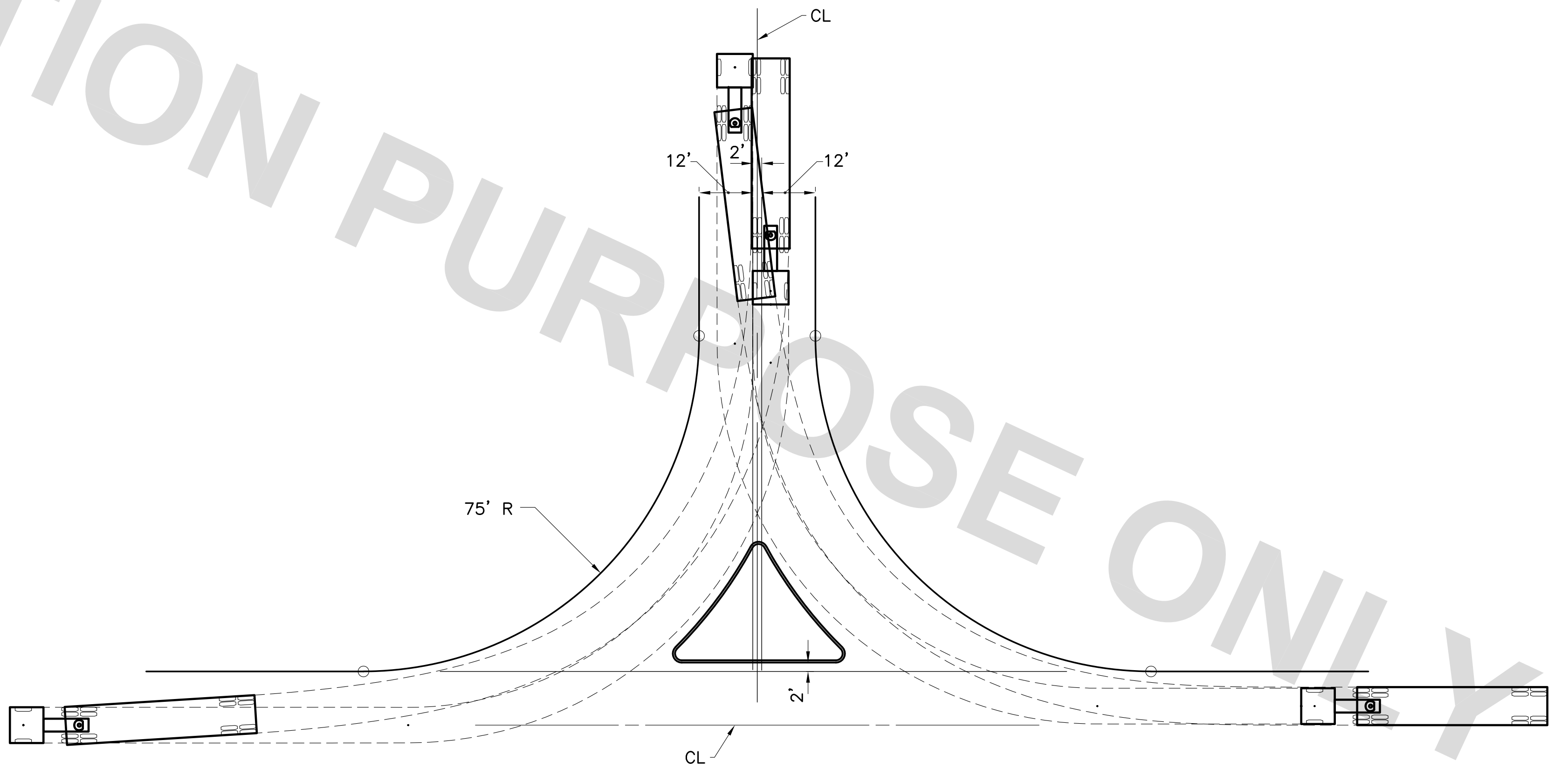
**SU TRUCK**  
SCALE: 1"=20'



**WB-12 (WB-40)**  
SCALE: 1"=20'



**WB-12 (WB-40)**  
SCALE: 1"=20'



**WB-15 (WB-50)**  
SCALE: 1"=20'



STANDARD PLAN NO. <b>907-DG</b>	DATED oct. 8, 2008	SHEET NO. 2 OF 2
<b>COMMERCIAL DRIVES GEOMETRIC DETAILS</b>		
<b>DESIGN GUIDELINES</b>		
ENGINEERING DIVISION DEPARTMENT OF PUBLIC WORKS CITY OF BATON ROUGE & PARISH OF EAST BATON ROUGE		
DESIGNED GLP	DRAWN GLP	CHECKED GLP
		APPROVED T. STEPHENS

DATE	DESCRIPTION REVISIONS	BY

ENGINEERING AUTOBESK LAND DESKTOP STDLAY FORM G.V.