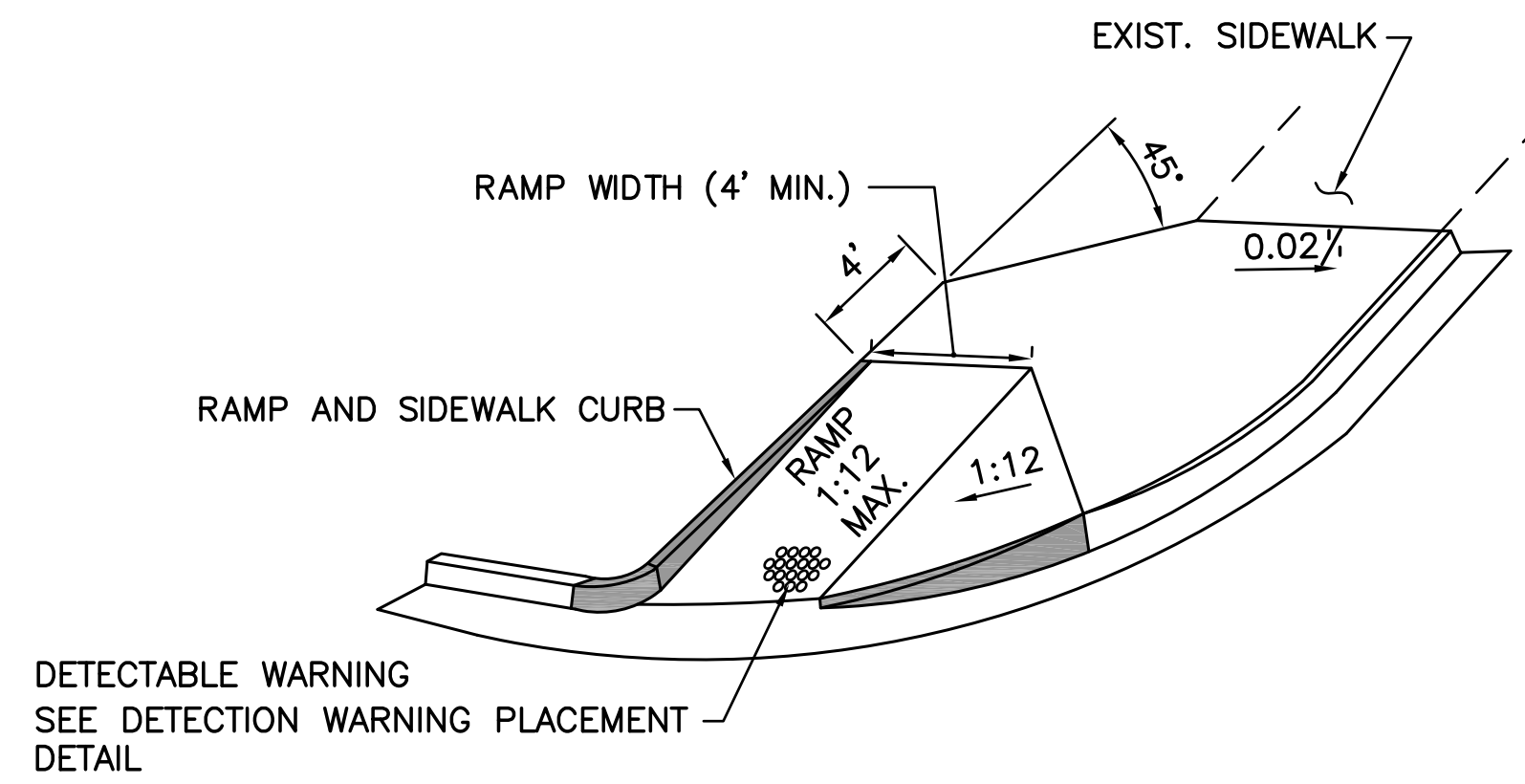
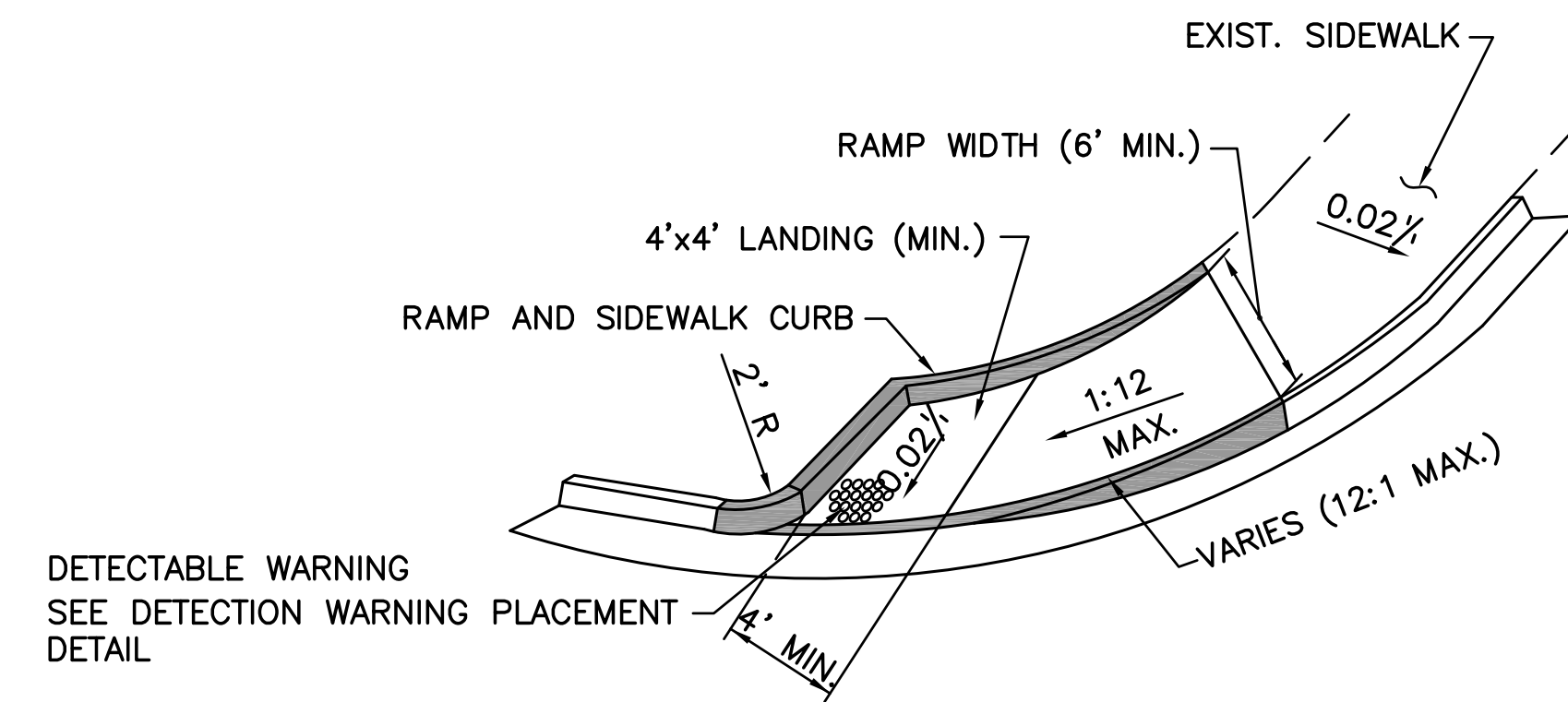


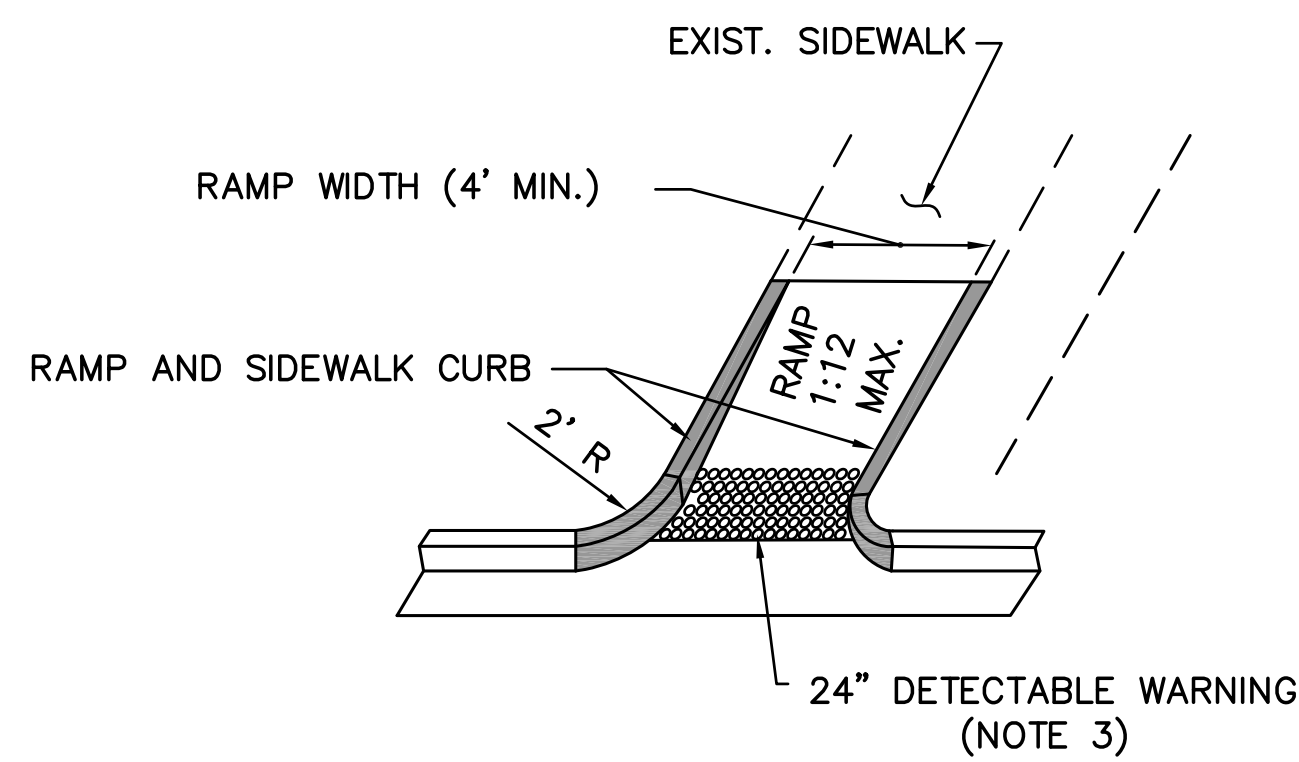
TYPE ⑥
NTS
REFER TO NOTES (TYP.)



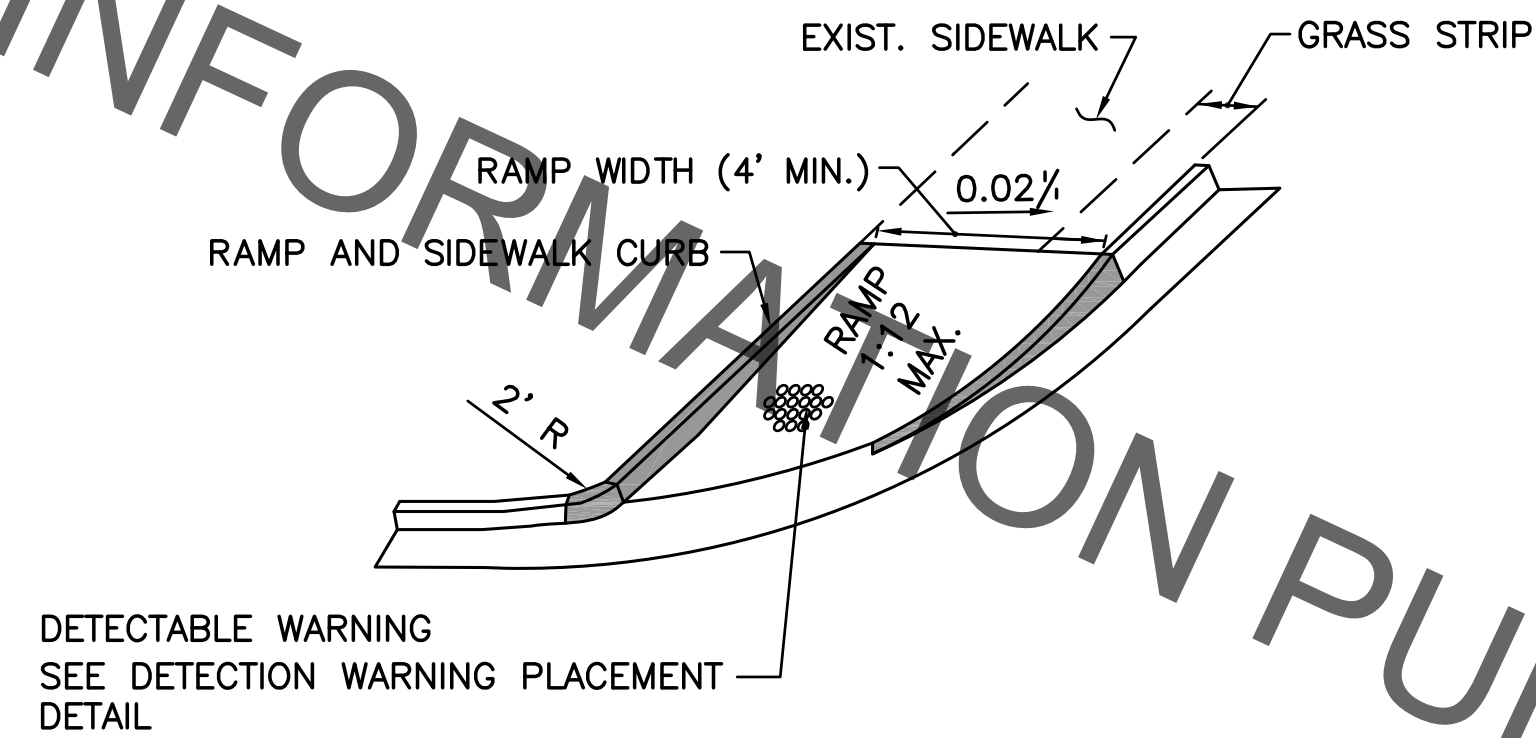
TYPE ⑦
NTS



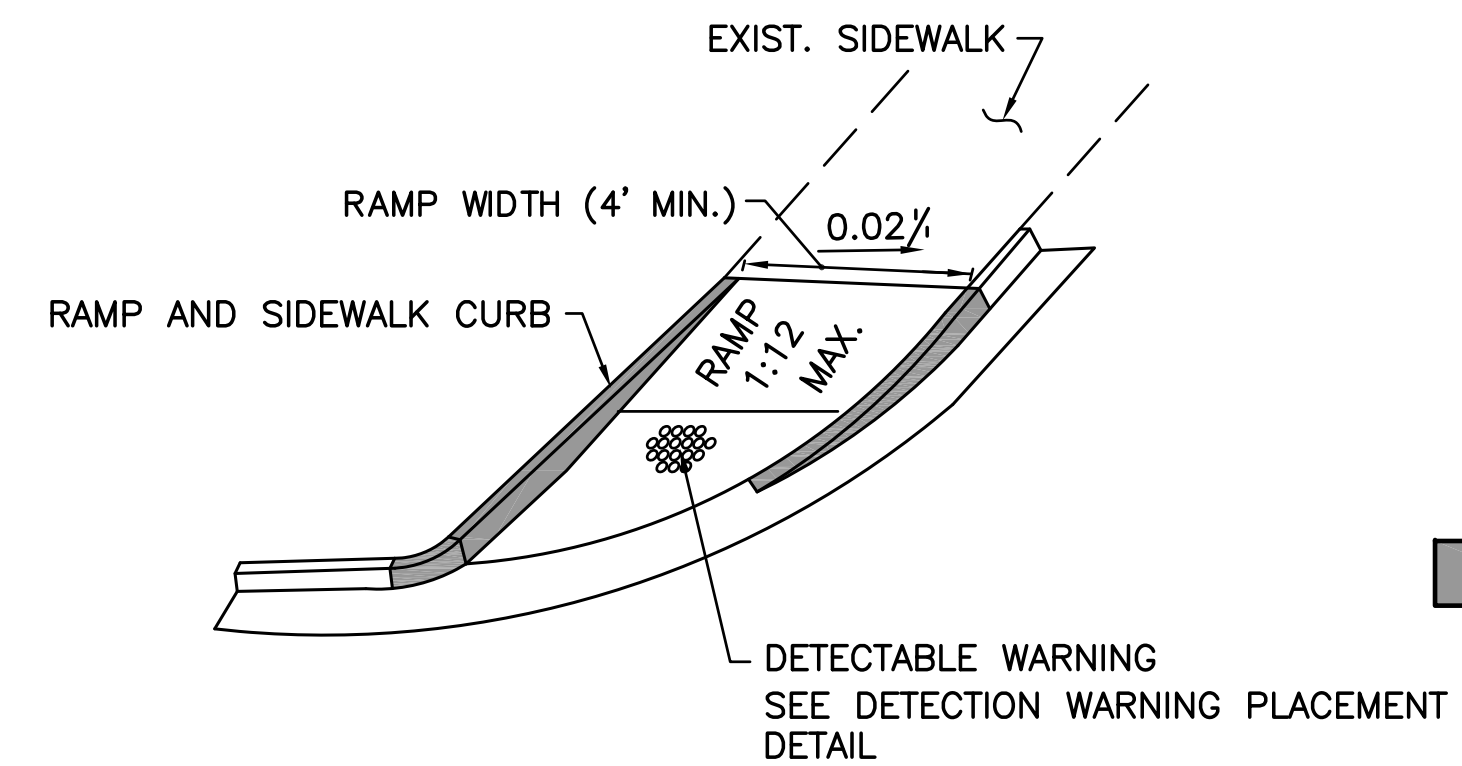
TYPE ⑧
NTS



TYPE ⑨
NTS



TYPE ⑩
NTS

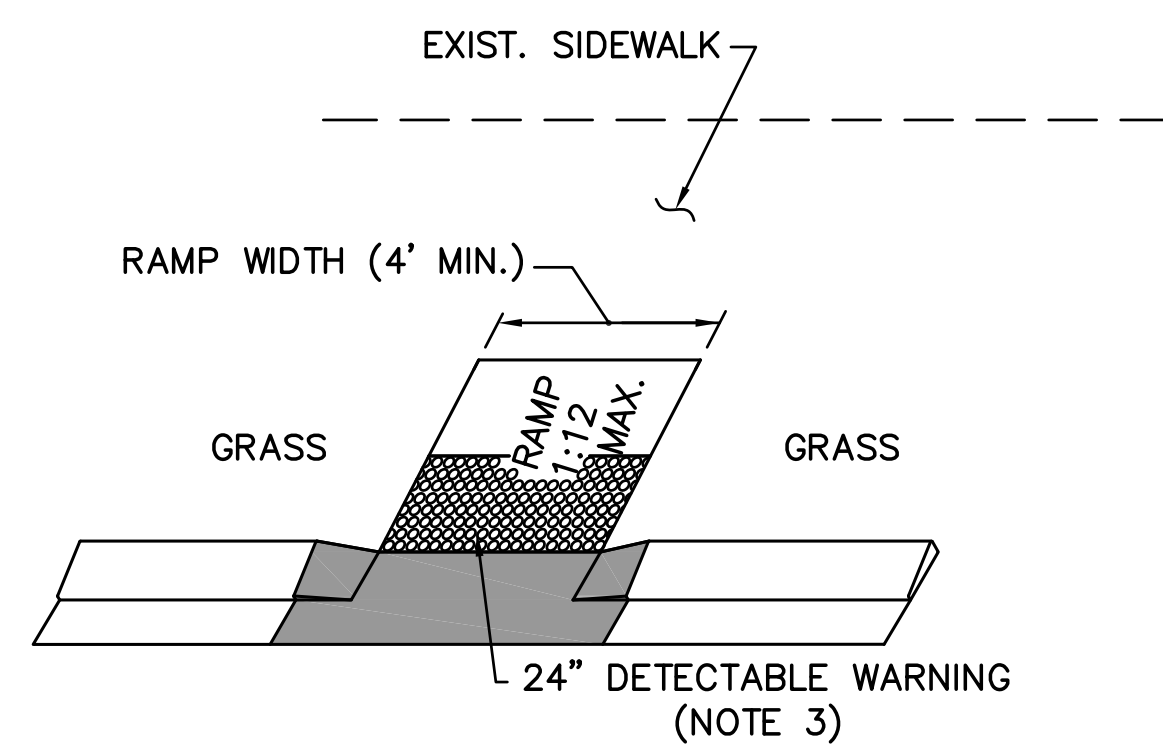


TYPE ⑪
NTS

■ AREAS OF CURB MODIFICATION

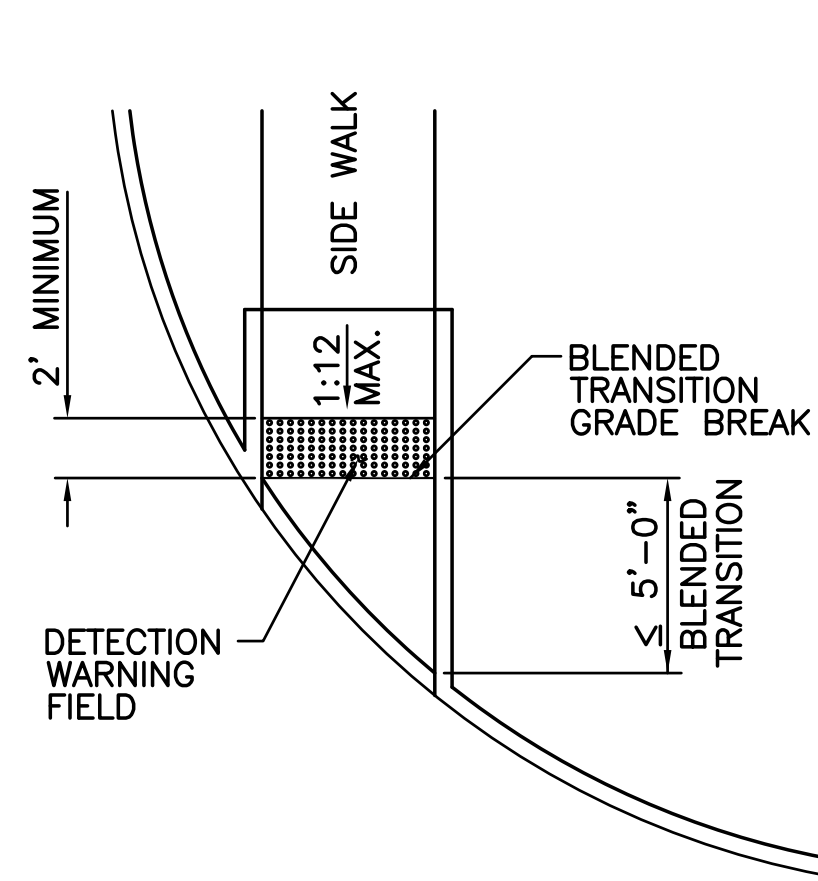
- NOTE:
1. LOCATION OF ALL TRAFFIC STRIPING, CROSS BARS, STOP BARS, AND MARKERS SHALL BE BASED ON SITE SPECIFIC DESIGN APPROVED BY THE CHIEF TRAFFIC ENGINEER. REFER TO 905-50 SHEET 7.
 2. THE LAYOUT OF HANDICAP RAMPS ARE BASED ON USE OF 6 INCH BARRIER CURB. ADJUSTMENTS TO DIMENSIONS WILL BE REQUIRED SHOULD MOUNTABLE CURB IS USED.
 3. THE MINIMUM LENGTH OF ANY SIDE OF THE DETECTABLE WARNING MATERIAL SHALL BE TWO FEET.
 4. DETECTION WARNING PLACEMENT IS NOT CONSTRAINED IN BLENDED TRANSITION AREA.
 5. SLOPES ON BLENDED TRANSITION SHALL NOT BE STEEPER THAN 2% (1 ON 50) IN ANY DIRECTION.

FOR INFORMATION PURPOSES ONLY

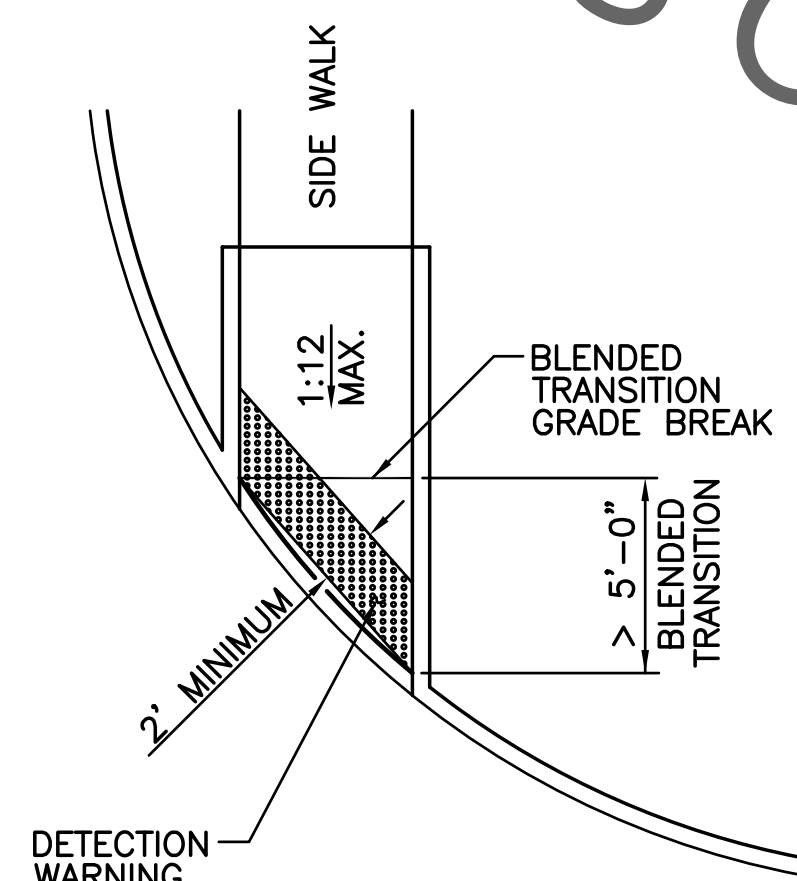


NOTE: REFER TO 907-02 FOR HANDICAP RAMP CURB AND GUTTER

TYPE ⑫
NTS



LAYOUT A



LAYOUT A

DETECTION WARNING PLACEMENT DETAIL
NTS

THOMAS A. STEPHENS
Licenses No. 18417
PROFESSIONAL ENGINEER
IN
CIVIL ENGINEERING
4/25/11
2/10/2018

STANDARD PLAN NO. 907-01	DATED AUGUST 8, 2008	SHEET NO. 5 OF 6
SIDEWALK AND HANDICAP RAMPS (RAMP TYPES)		
ENGINEERING DIVISION DEPARTMENT OF PUBLIC WORKS CITY OF BATON ROUGE & PARISH OF EAST BATON ROUGE		
DESIGNED GLP	DRAWN GLP	CHECKED GLP
APPROVED T. STEPHENS		

4/25/11	ADD DETECTION WARNING PLACEMENT DETAIL	G.CHENG
DATE	DESCRIPTION	BY
	REVISIONS	