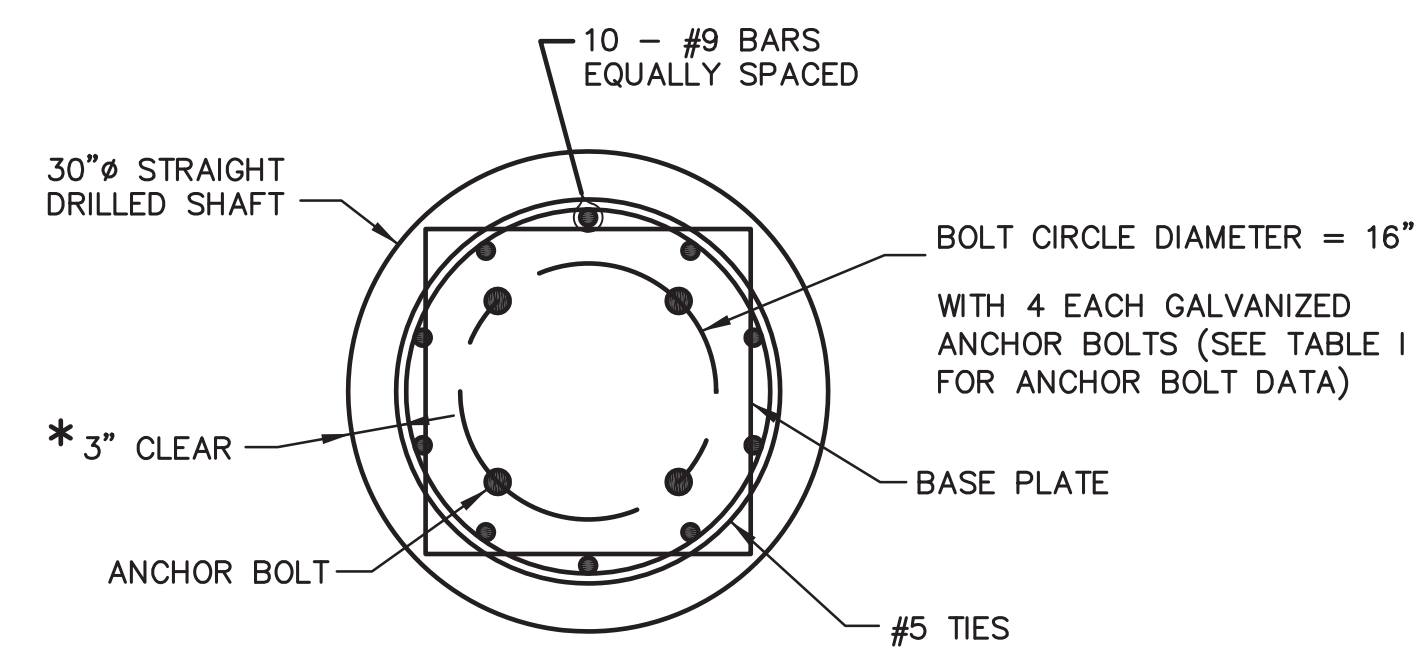
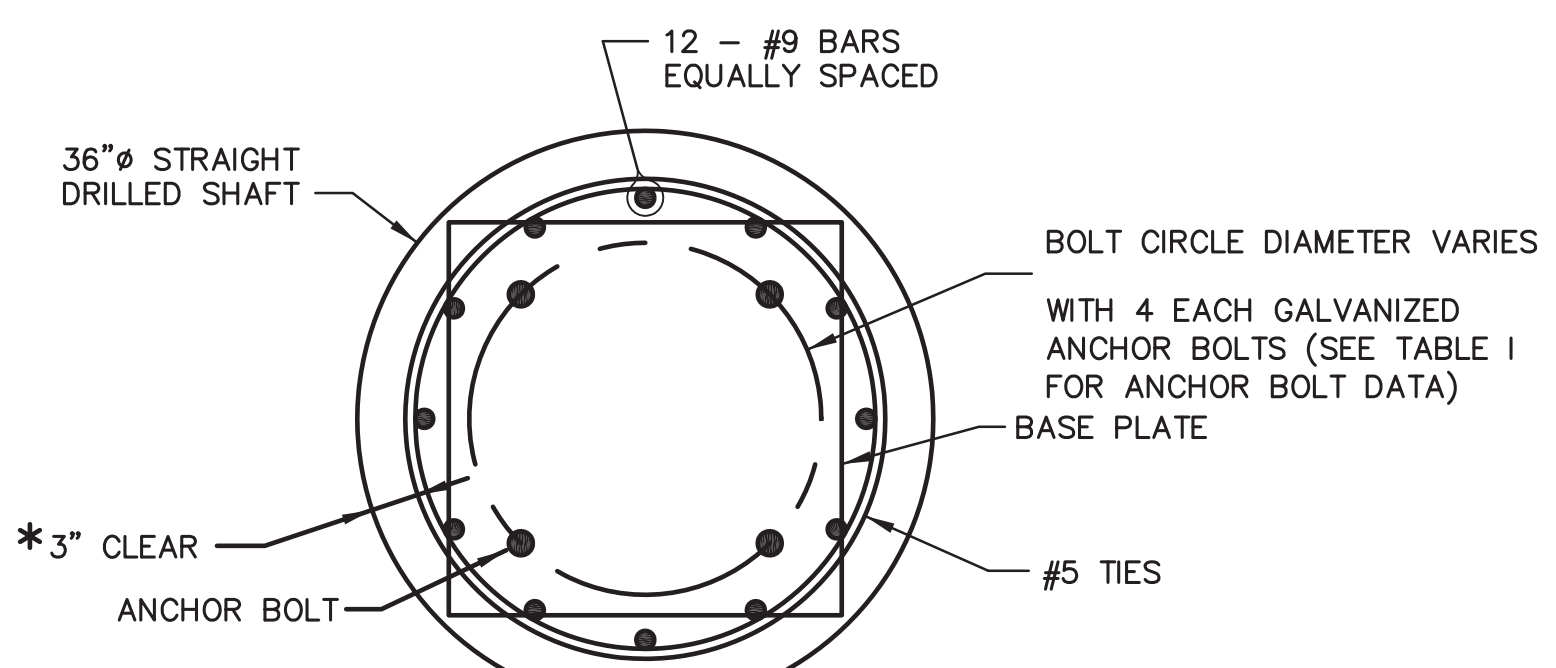


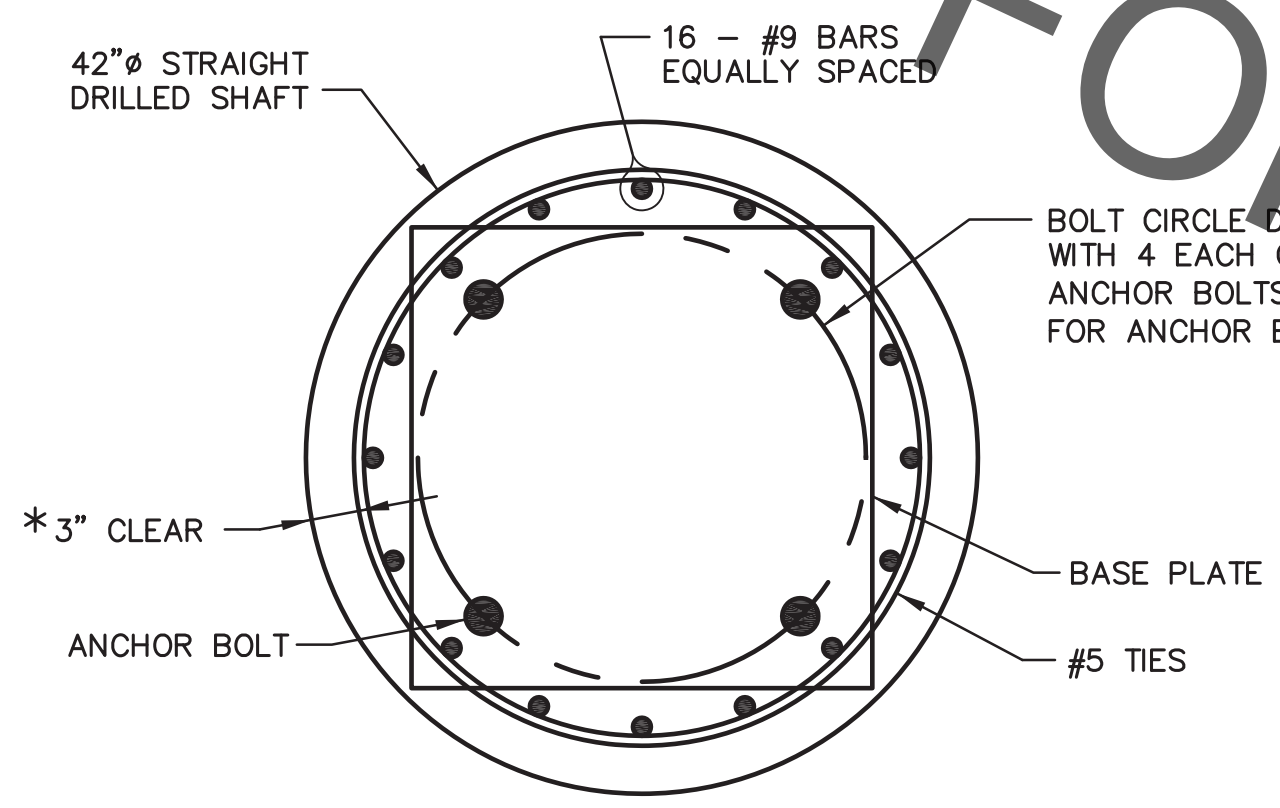
PROJECT NO.	SHEET



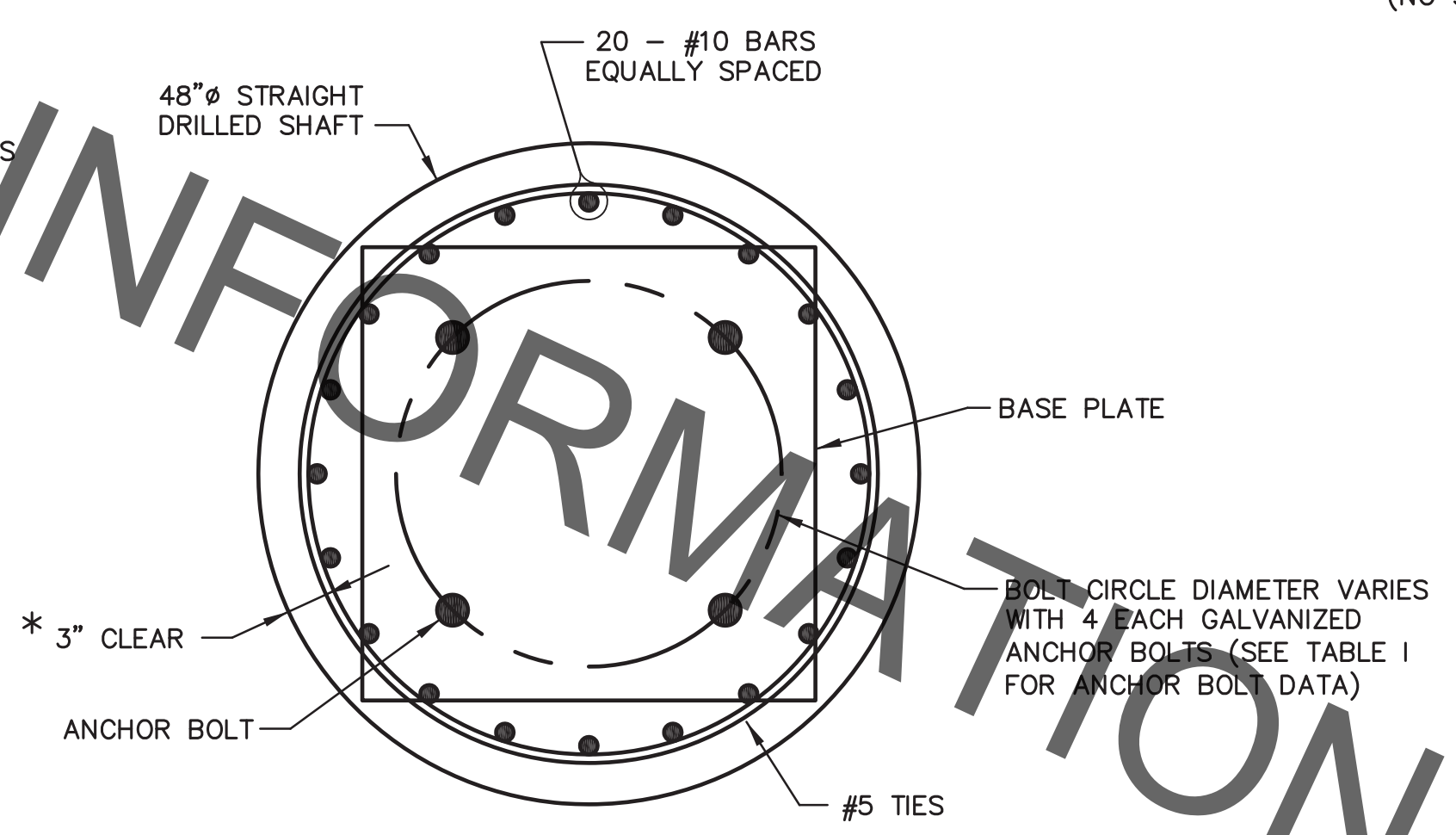
SECTION "A-A"
30" Ø DRILLED SHAFT
1" = 1'-0"



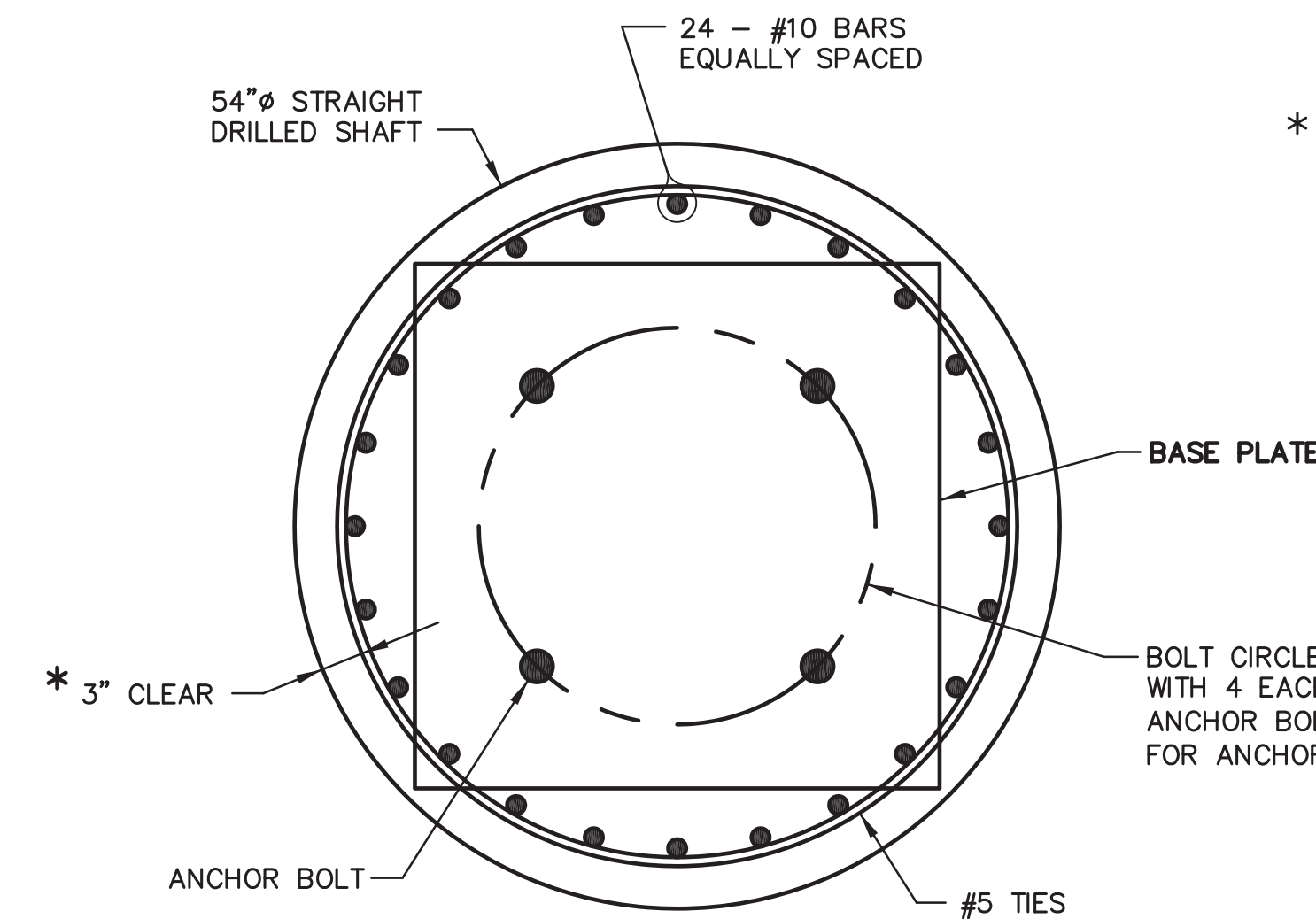
SECTION "A-A"
36" Ø DRILLED SHAFT
1" = 1'-0"



SECTION "A-A"
42" Ø DRILLED SHAFT
1" = 1'-0"

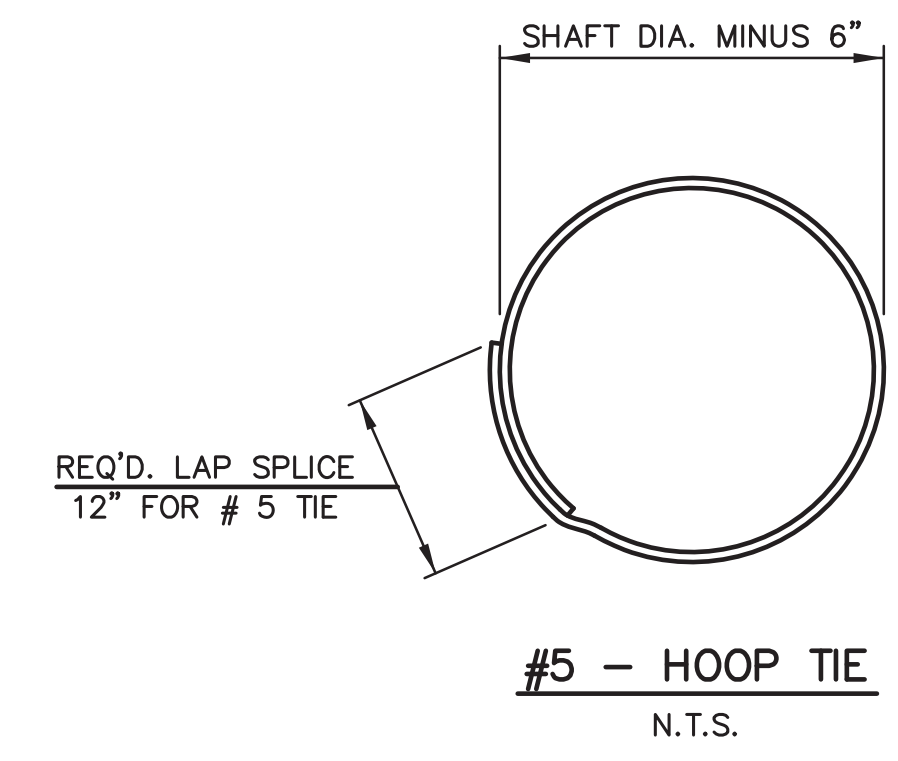


SECTION "A-A"
48" Ø DRILLED SHAFT
1" = 1'-0"

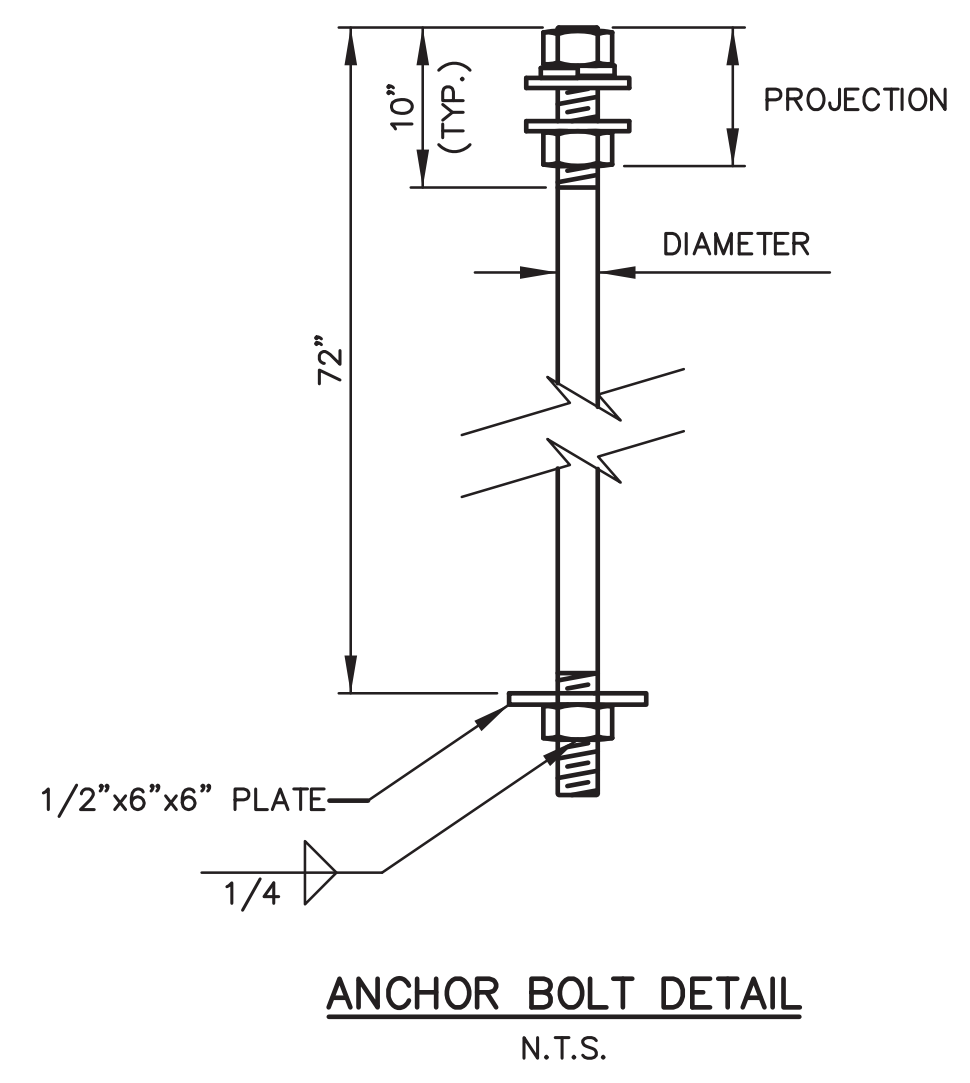


SECTION "A-A"
54" Ø DRILLED SHAFT
1" = 1'-0"

* CONTRACTOR SHALL BE RESPONSIBLE FOR ESTABLISHING A STANDOFF SYSTEM TO ENSURE THAT CLEARANCE AROUND REINFORCING STEEL CAGE IS MAINTAINED AT ALL TIMES. SYSTEM MUST BE APPROVED BY THE ENGINEER PRIOR TO DRILLING OF SHAFT.

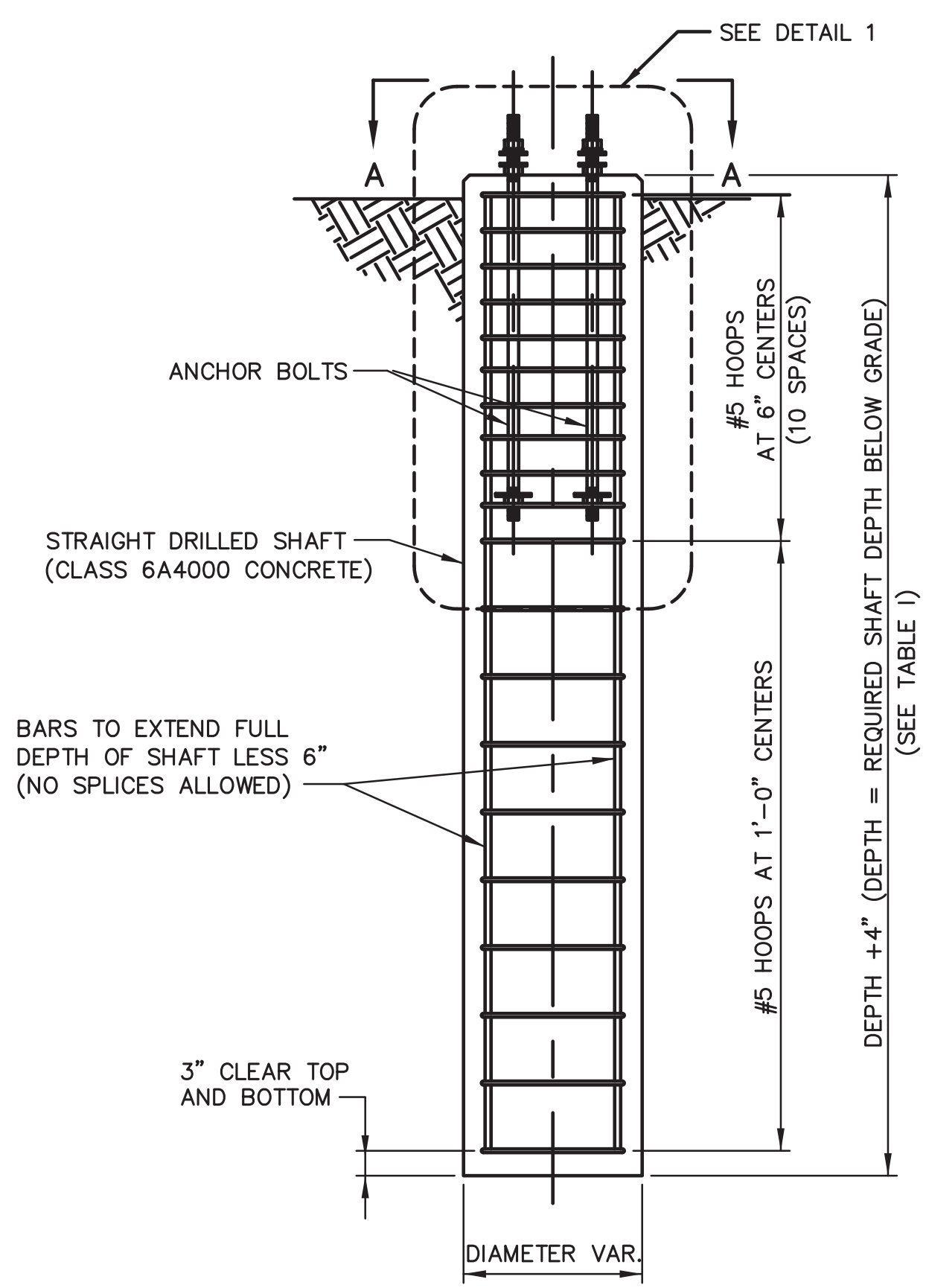


#5 - HOOP TIE
N.T.S.



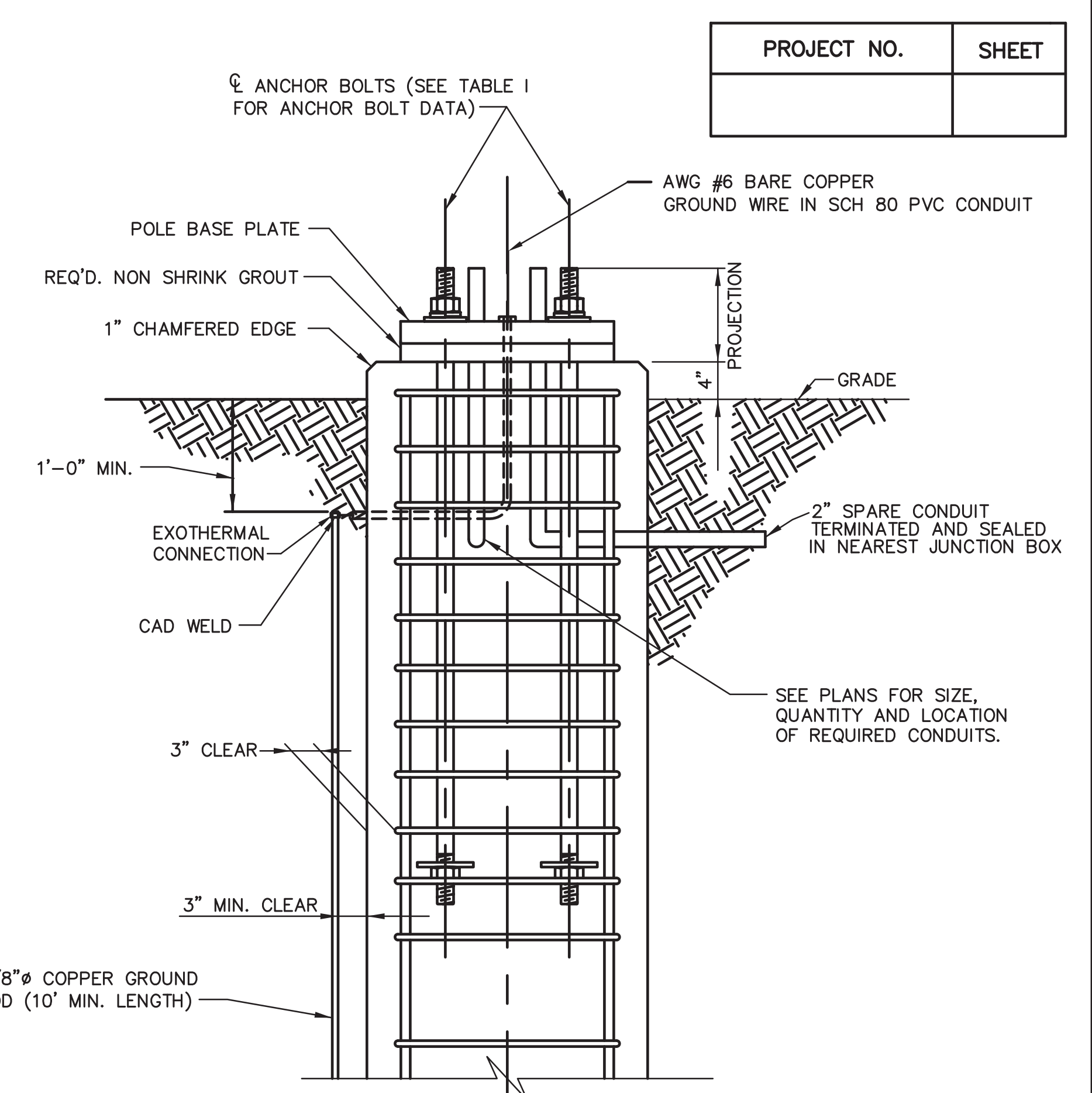
ANCHOR BOLT DETAIL
N.T.S.

NOTE:
EACH BOLT SHALL BE SUPPLIED WITH (3) HEX NUTS, (2) FLAT WASHERS, (1) LOCK WASHER, AND (1) PLATE (1/2"x6"x6").



ELEVATION OF DRILLED SHAFT FOUNDATION
N.T.S.

NOTE:
COMPLETE REINFORCEMENT NOT SHOWN FOR CLARITY



DETAIL 1
N.T.S.

TABLE I - DRILLED SHAFT AND ANCHOR BOLT SIZE (SINGLE MAST ARM FOUNDATIONS)

MAST ARM LENGTH feet	BOLT CIRCLE DIAMETER inches	BOLT DIAMETER inches	MINIMUM PROJECTION inches	AREA 1		AREA 2		AREA 3		AREA 4	
				SHAFT DIAMETER inches	SHAFT DEPTH feet	SHAFT DIAMETER inches	SHAFT DEPTH feet	SHAFT DIAMETER inches	SHAFT DEPTH feet	SHAFT DIAMETER inches	SHAFT DEPTH feet
20	16	1.75	7	30	16	30	16	30	14	30	14
25	16	1.75	7	30	19	30	16	30	14	30	14
30	16	1.75	7	36	19	30	17	30	15	30	15
35	22	2.00	7	36	20	36	19	36	16	36	16
40	22	2.00	7	42	17	36	20	36	17	36	17
45	22	2.00	7	42	20	36	19	36	16	36	16
50	22	2.00	7	48	20	36	20	36	20	36	18
55	28	2.00	7	54	19	42	19	42	17	42	17
60	28	2.25	8	SPECIAL DESIGN REQ'D		48	19	42	19	42	19
65	28	2.25	8	SPECIAL DESIGN REQ'D		48	20	48	18	42	20
70	28	2.50	9	SPECIAL DESIGN REQ'D		54	20	48	20	48	20
75	28	2.50	10	SPECIAL DESIGN REQ'D		SPECIAL DESIGN REQ'D		54	18	54	19

TABLE I NOTES:

- SEE SHEET 1 OF 4 FOR LOCATION AND DESCRIPTION OF SOIL PROFILE AREAS.
- SITE SPECIFIC SOIL BORINGS AND FOUNDATION DESIGN ARE REQUIRED FOR THE DRILLED SHAFTS INDICATED AS "SPECIAL DESIGN REQUIRED".
- SOILS IN AREAS 3 AND 4 ARE VARIABLE AND ONLY LIMITED DATA IS AVAILABLE. CIRCLES IN AREAS 3 AND 4 ON SHEET 1 OF 4 DENOTE AREAS IN WHICH SHALLOW SANDS ARE KNOWN. A SITE SPECIFIC SPT BORING OR CPT SOUNDING SHOULD BE MADE IN AREAS 3 AND 4 TO DETERMINE IF SHALLOW SANDS WILL BE ENCOUNTERED, IN WHICH CASE, SITE SPECIFIC DESIGN OF FOUNDATIONS WILL BE REQUIRED.
- FOR 48" AND 54" DIAMETER DRILLED SHAFTS, THE CONTRACTOR MAY INCREASE THE BOLT CIRCLE TO 34" IF NECESSARY TO ACCOMMODATE THE POLE BASE DIAMETER.
- IN LIEU OF THE 4-BOLT PATTERN SHOWN, THE CONTRACTOR MAY SUBSTITUTE 6 EQUALLY SPACED 2.00" DIAMETER BOLTS.
- IN LIEU OF THE 4-BOLT PATTERN SHOWN, THE CONTRACTOR MAY SUBSTITUTE 8 EQUALLY SPACED 2.00" DIAMETER BOLTS.



STANDARD PLAN NO. 906-04	DATED DECEMBER 3, 2008	SHEET NO. 2 OF 4
-----------------------------	---------------------------	---------------------

SIGNAL POLE
FOUNDATION DETAILS
(SINGLE MAST ARMS)

ENGINEERING DIVISION DEPARTMENT OF PUBLIC WORKS CITY OF BATON ROUGE & PARISH OF EAST BATON ROUGE			
DESIGNED H. THOM	DRAWN D.F. HEBERT	CHECKED H. THOM	APPROVED T. STEPHENS

01/11/10	MODIFY FOUNDATION SIZES FOR 35' AND 40' MAST ARMS.	G.L.P.
DATE	DESCRIPTION	BY
	REVISIONS	