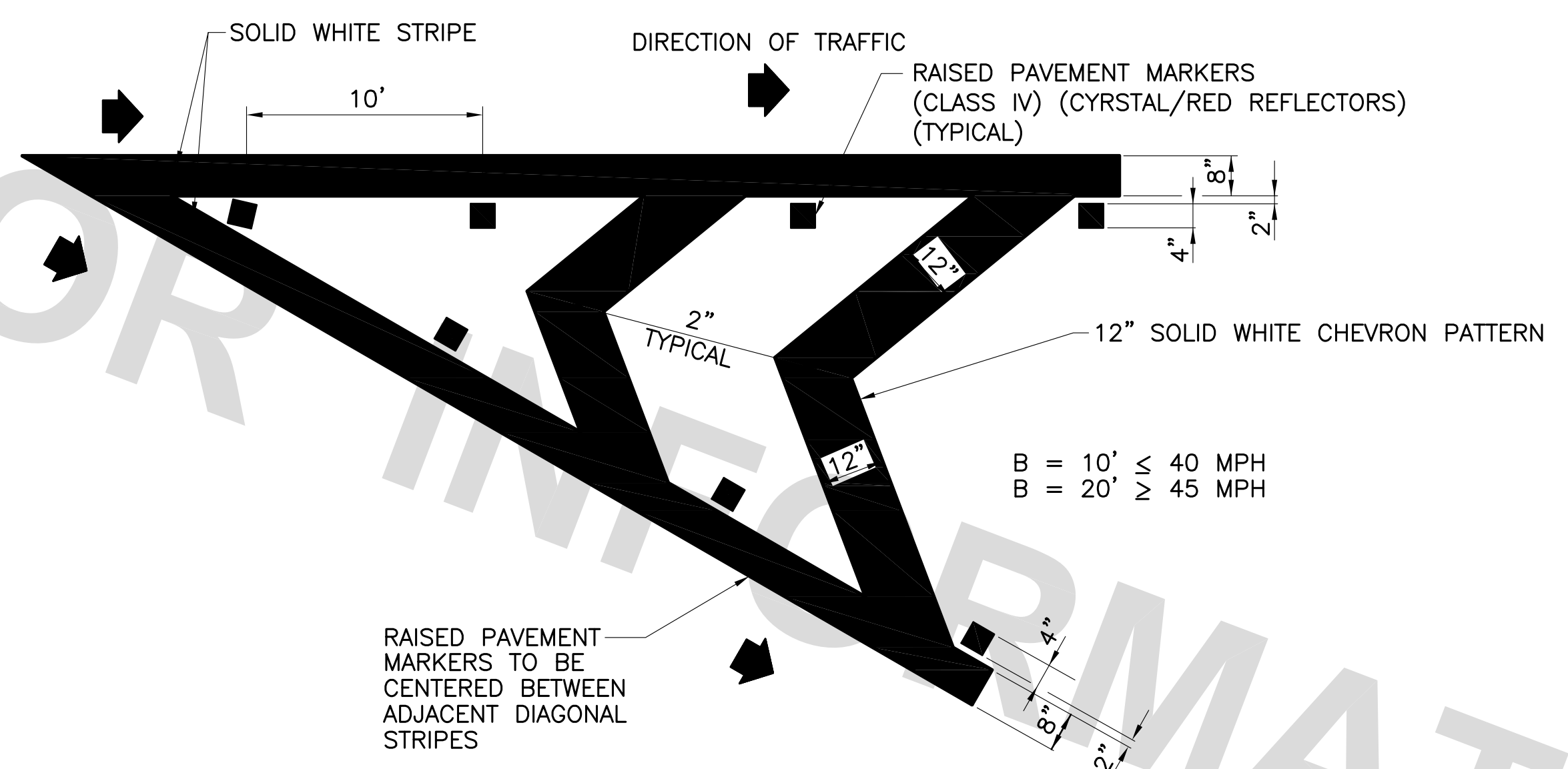
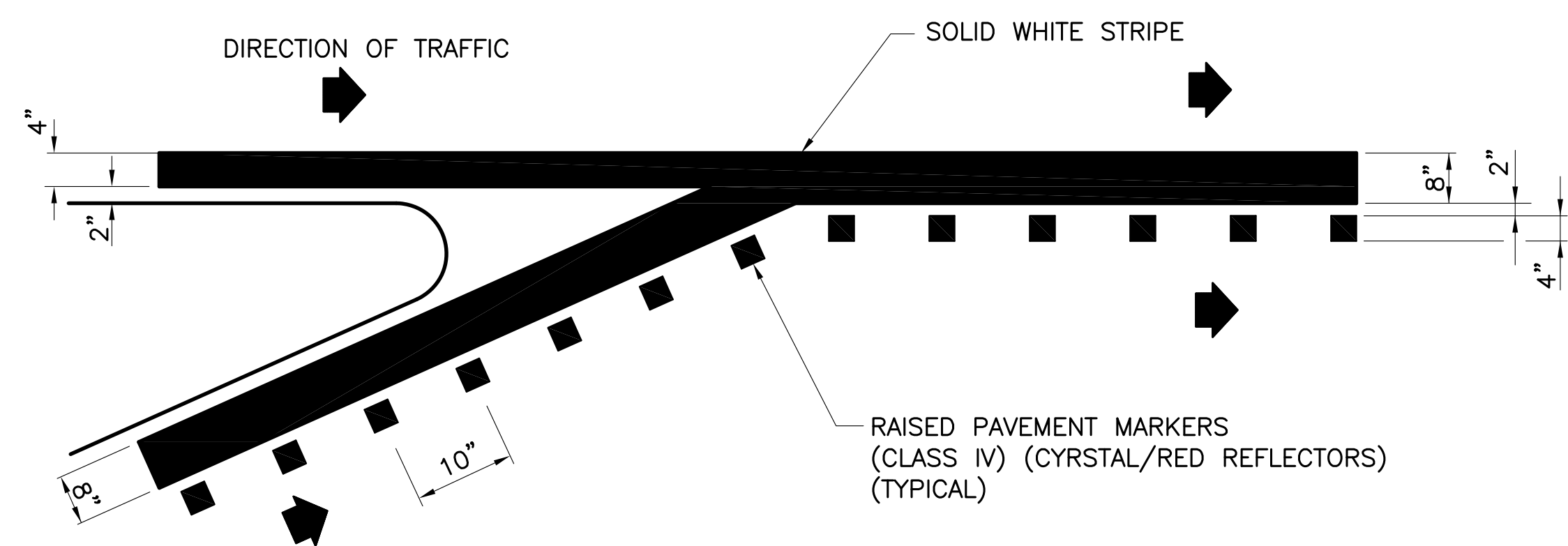


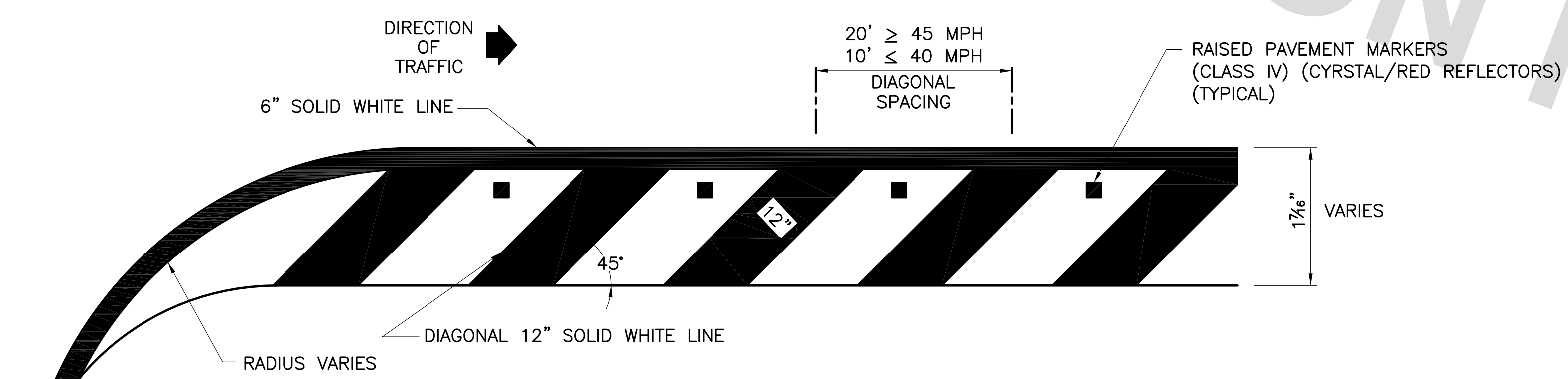
PROJECT NO.	SHEET



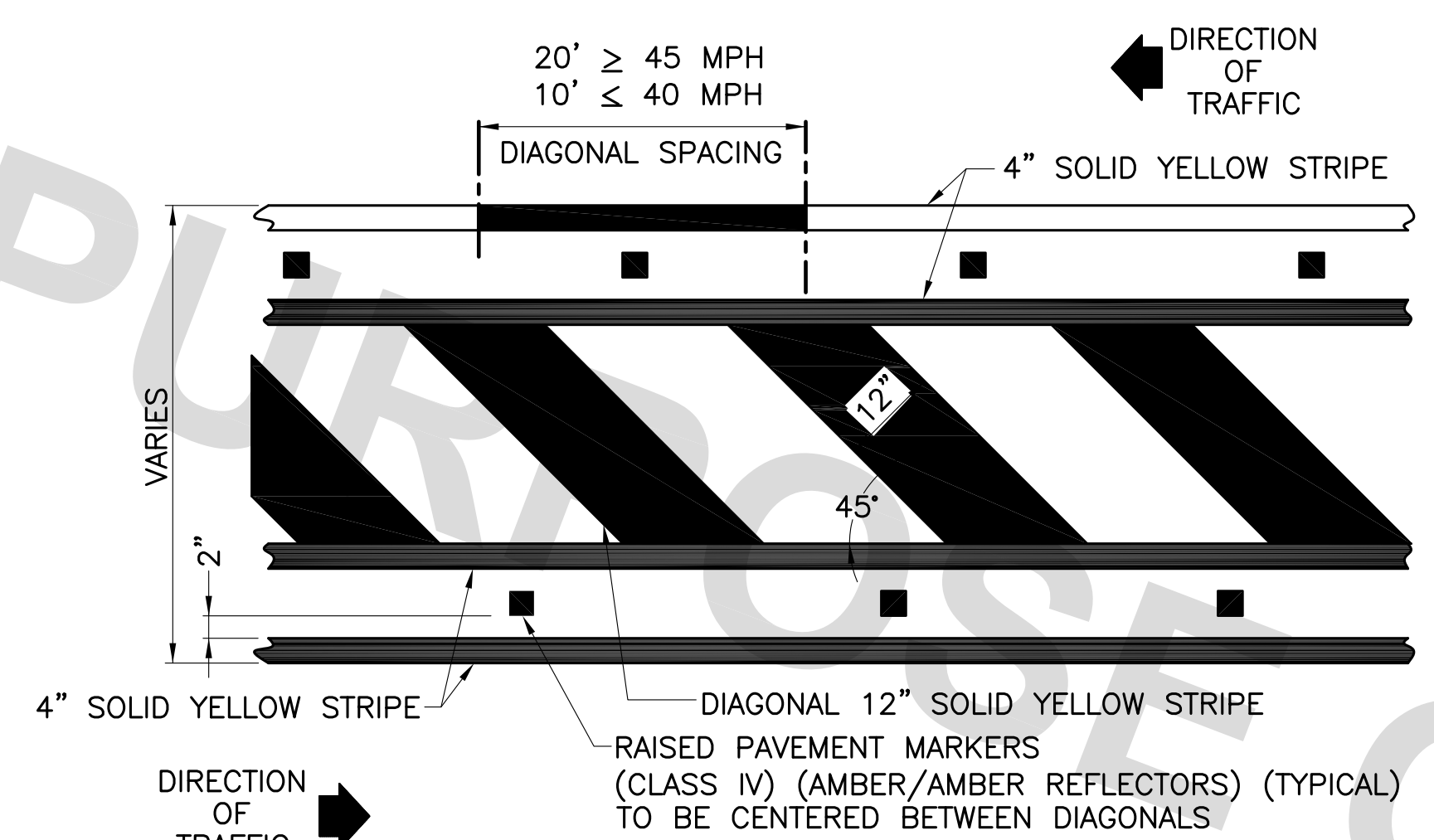
TYPICAL TRAFFIC MARKER PLACEMENT AT OFF-RAMP GORES



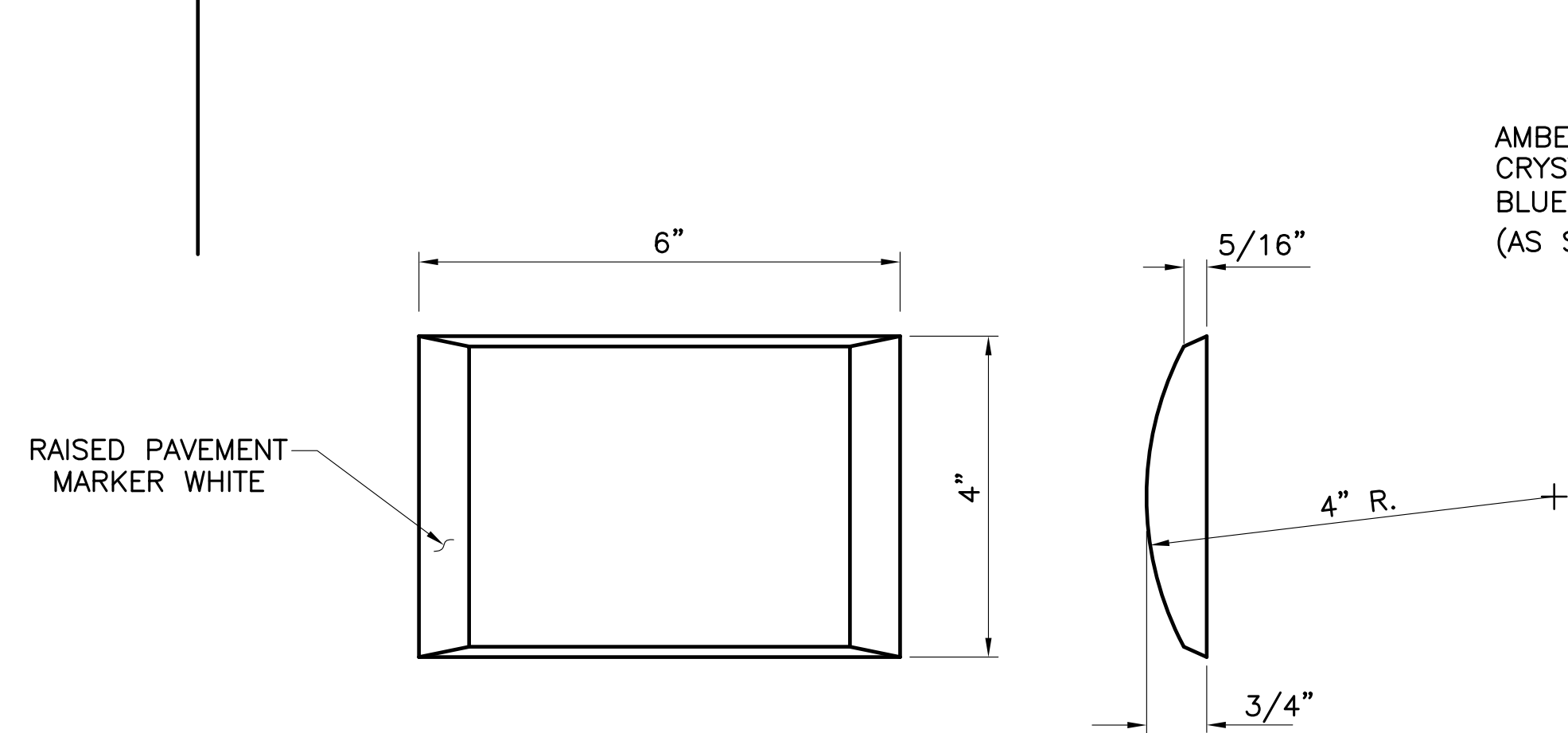
TYPICAL TRAFFIC MARKER PLACEMENT AT ON-RAMP GORES



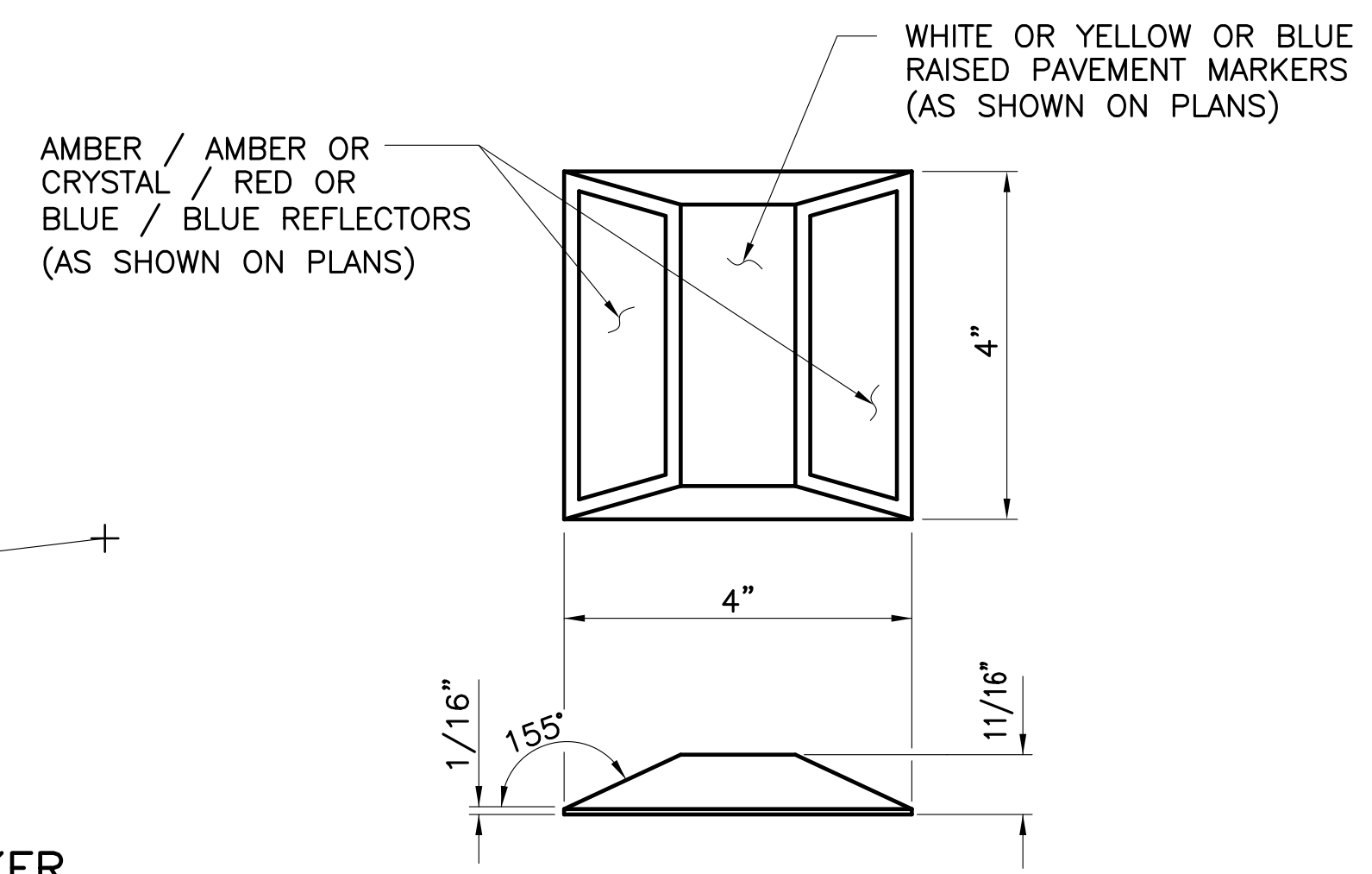
CROSS HATCHING AT RADIUS STANDARD



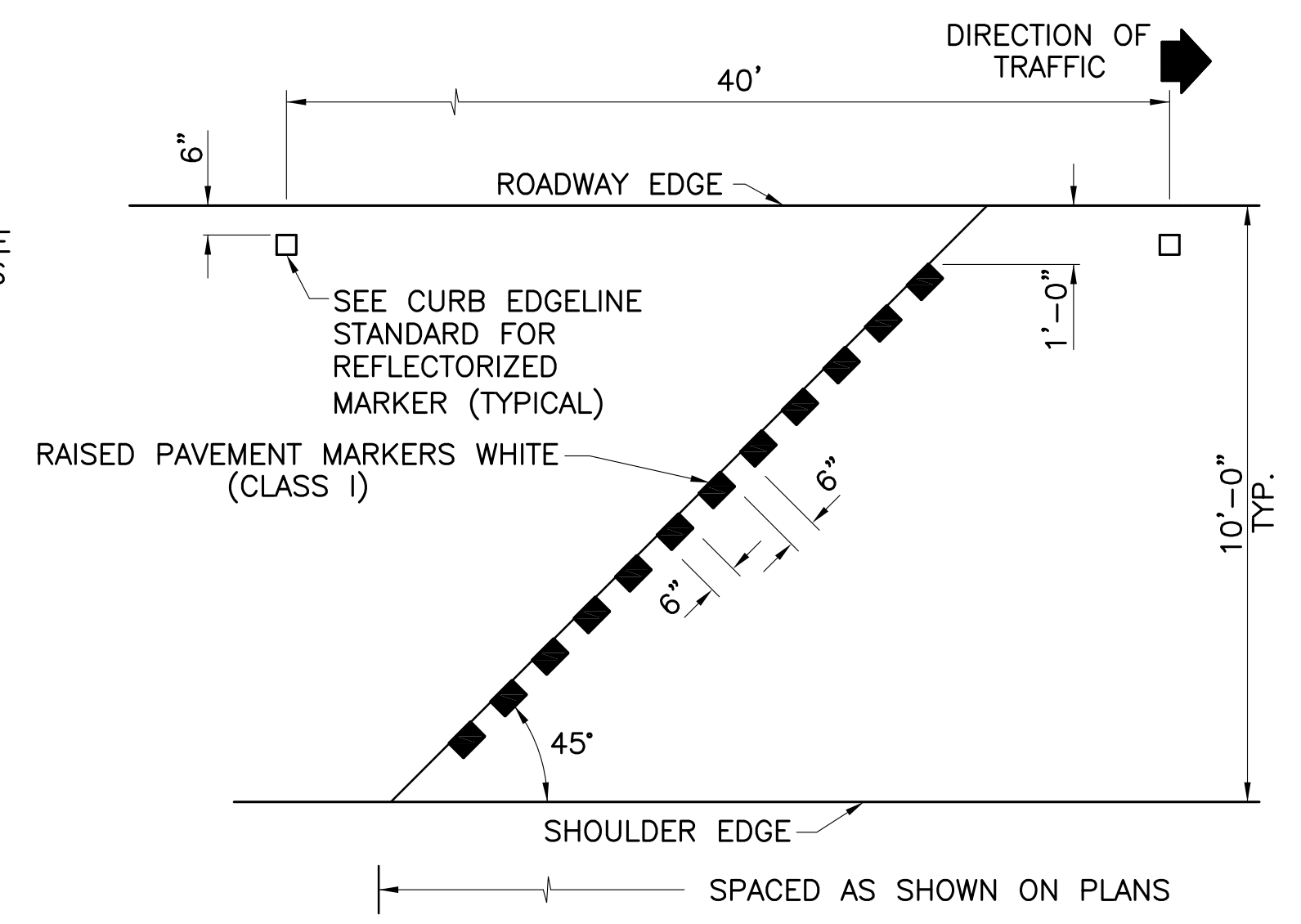
CROSS HATCHING STANDARD



4" X 6" NON-REFLECTORIZED RAISED PAVEMENT MARKER TYPICAL (CLASS I)



4" X 4" REFLECTORIZED RAISED PAVEMENT MARKER TYPICAL (CLASS IV)



TYPICAL RAISED MARKER PLACEMENT ALONG BRIDGE SHOULDER



JUNE 13, 2008

STANDARD PLAN NO. 905-50	DATED JUNE 13, 2008	SHEET NO. 2 OF 8
-----------------------------	------------------------	---------------------

ROADWAY MARKING AND TYPICAL DETAILS

ENGINEERING DIVISION DEPARTMENT OF TRANSPORTATION AND DRAINAGE CITY OF BATON ROUGE & PARISH OF EAST BATON ROUGE			
DESIGNED GLP	DRAWN GLP	CHECKED GLP	APPROVED I. PARTENHEIMER

DATE	DESCRIPTION REVISIONS	BY

ENGINEERING AUTODESK LAND DESKTOP-STDLAY FORM C.V.