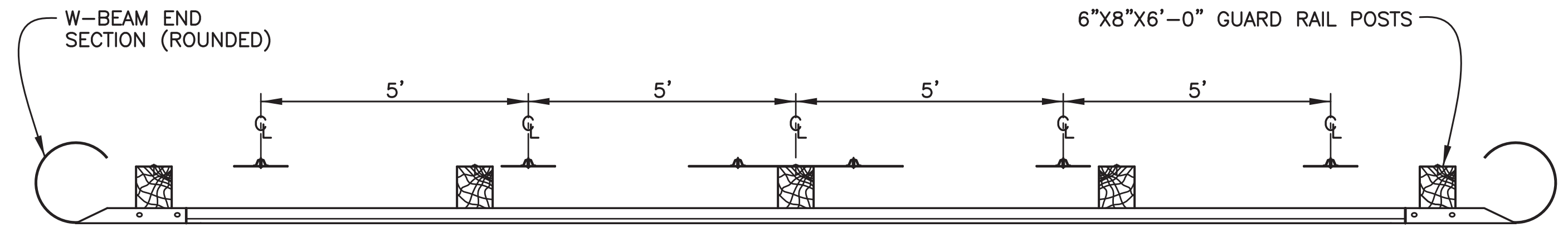
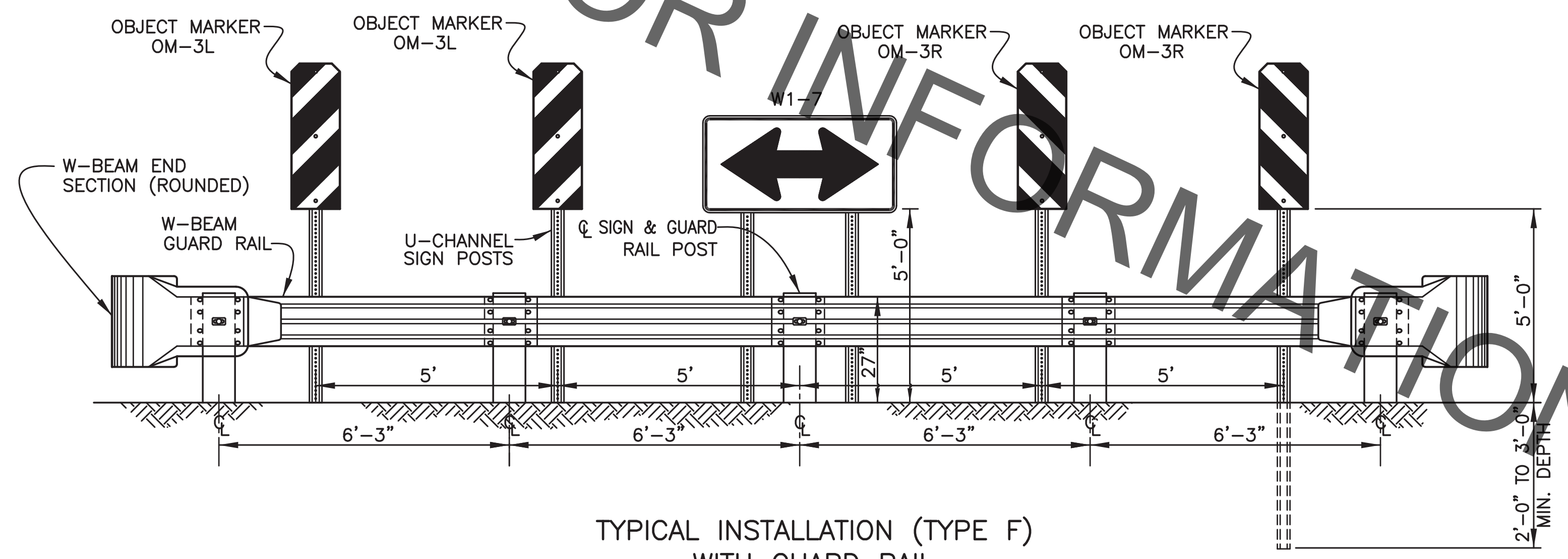


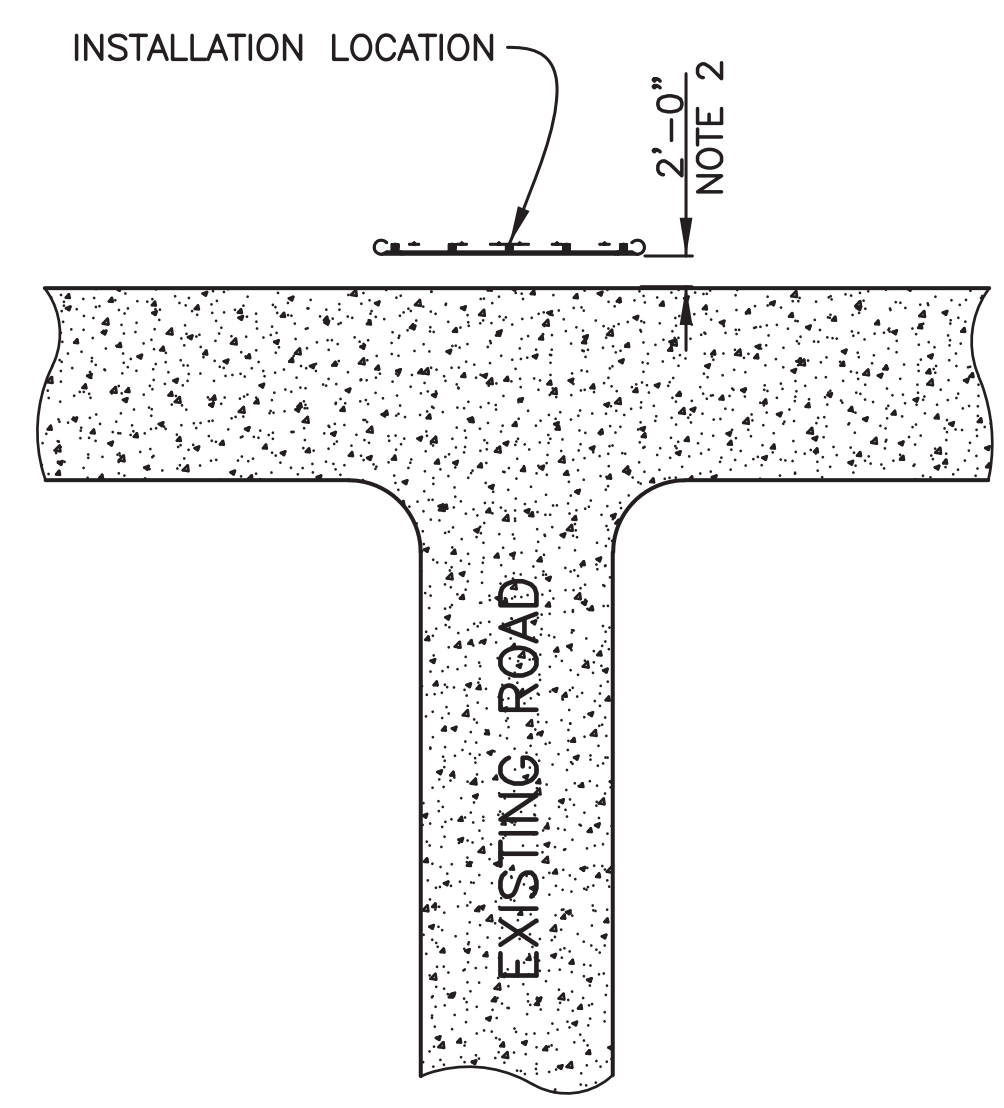
PROJECT NO.	SHEET



TOP VIEW

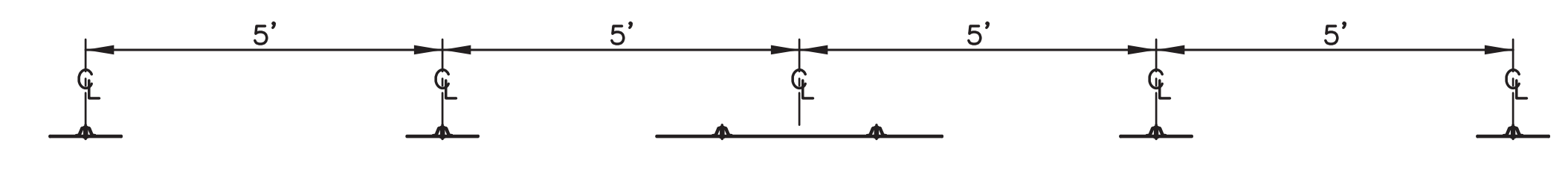


TYPICAL INSTALLATION (TYPE F)
WITH GUARD RAIL
Scale: N.T.S.

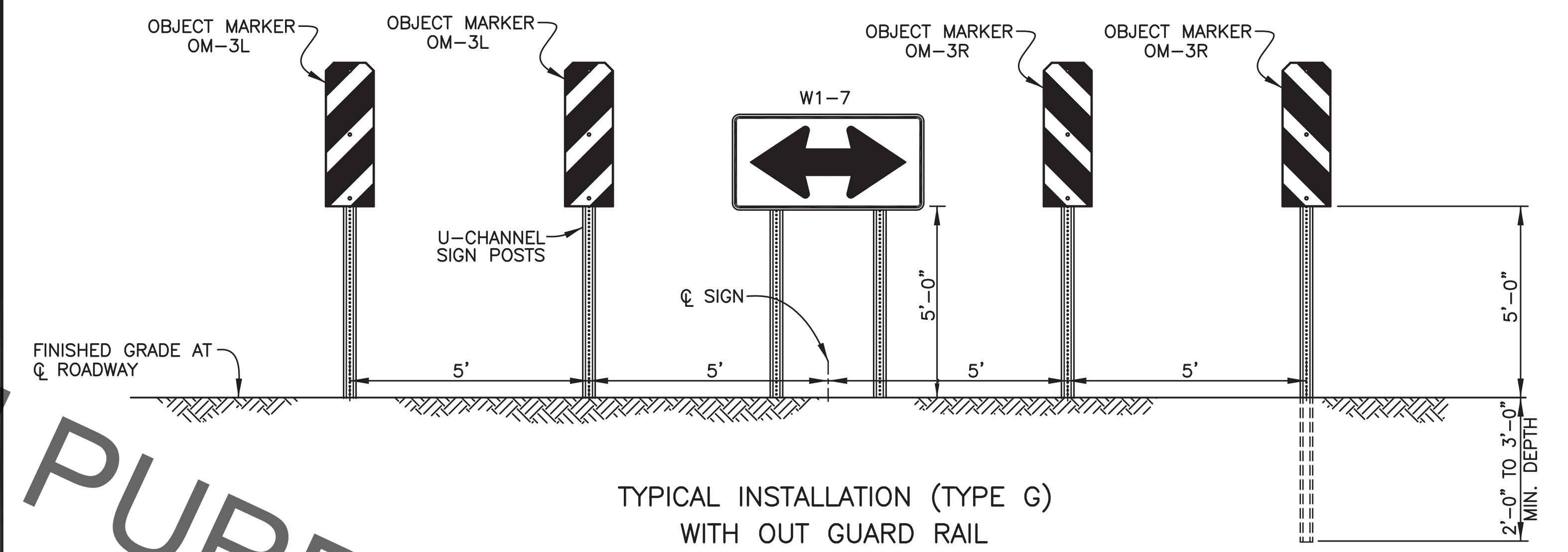


"T" TYPE INTERSECTION

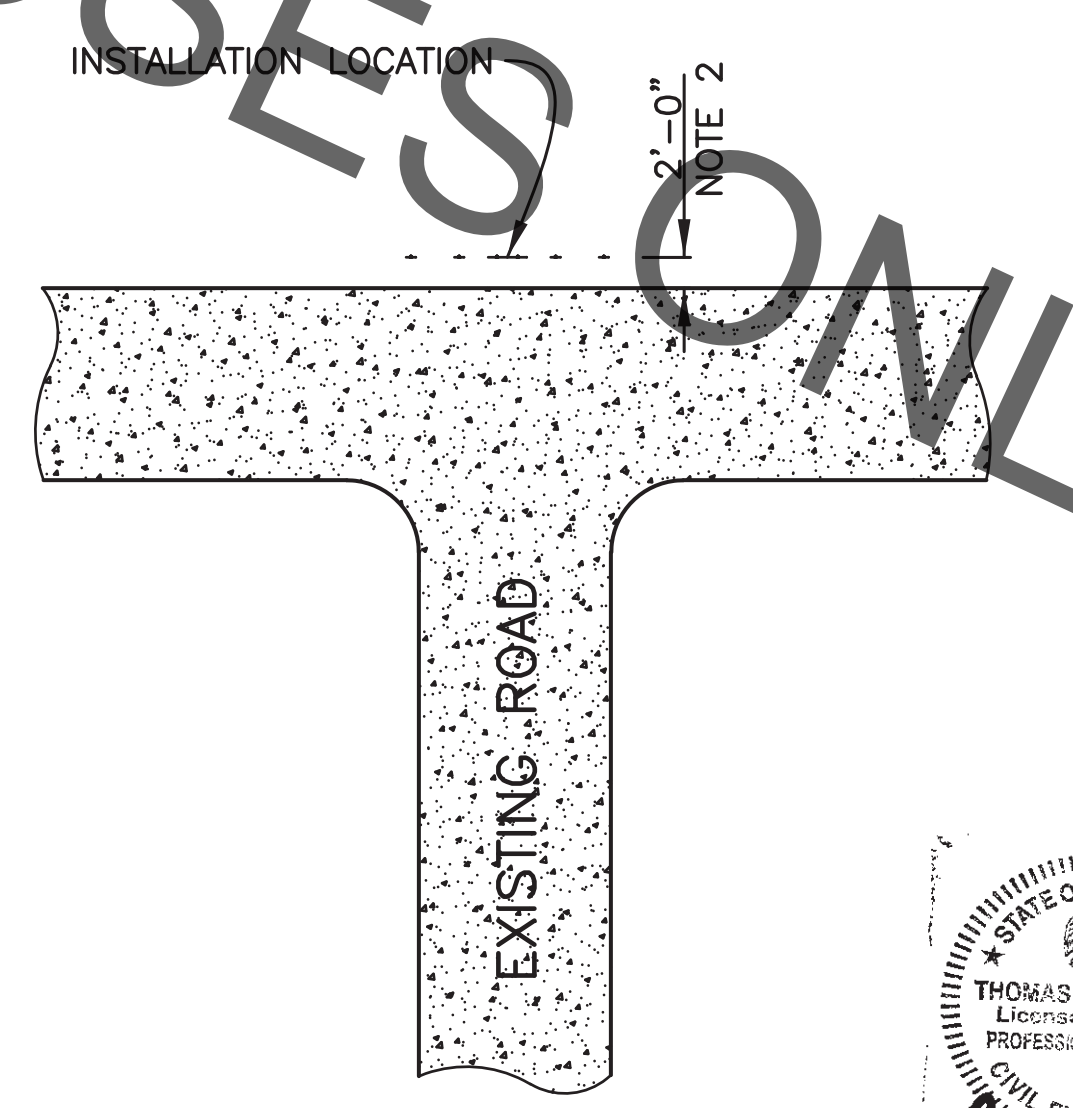
- NOTE:
1. PLACEMENT OF W1-7 "T" TYPE ROAD INSTALLATION SHALL BE 2'-0" FROM END OF ROADWAY UNLESS DIRECTED OTHERWISE BY PROJECT ENGINEER.
 2. PLACEMENT OF END OF ROAD INSTALLATION SHALL BE 2'-0" FROM END OF ROADWAY UNLESS DIRECTED OTHERWISE BY PROJECT ENGINEER.



TOP VIEW



TYPICAL INSTALLATION (TYPE G)
WITH OUT GUARD RAIL
Scale: N.T.S.



"T" TYPE INTERSECTION

- NOTE:
1. PLACEMENT OF W1-7 "T" TYPE ROAD INSTALLATION SHALL BE 2'-0" FROM END OF ROADWAY UNLESS DIRECTED OTHERWISE BY PROJECT ENGINEER.
 2. PLACEMENT OF END OF ROAD INSTALLATION SHALL BE 2'-0" FROM END OF ROADWAY UNLESS DIRECTED OTHERWISE BY PROJECT ENGINEER.

THOMAS A. STEPHENS
License No. 19417
PROFESSIONAL ENGINEER
IN
LOUISIANA
2/16/2012

DATE	DESCRIPTION	BY

STANDARD PLAN NO. 905-40	DATED JANUARY 9, 2008	SHEET NO. 4 OF 5
-----------------------------	--------------------------	---------------------

DEAD END ROAD INSTALLATIONS
("T" TYPE INTERSECTION IN
ROADWAY ALIGNMENT)

ENGINEERING DIVISION DEPARTMENT OF PUBLIC WORKS CITY OF BATON ROUGE & PARISH OF EAST BATON ROUGE			
DESIGNED	DRAWN	CHECKED	APPROVED
Traffic Engineering	G. VANNICE	H. PYLANT	I. PARTENHEIMER