

| | |
|-------------|-------|
| PROJECT NO. | SHEET |
| | |

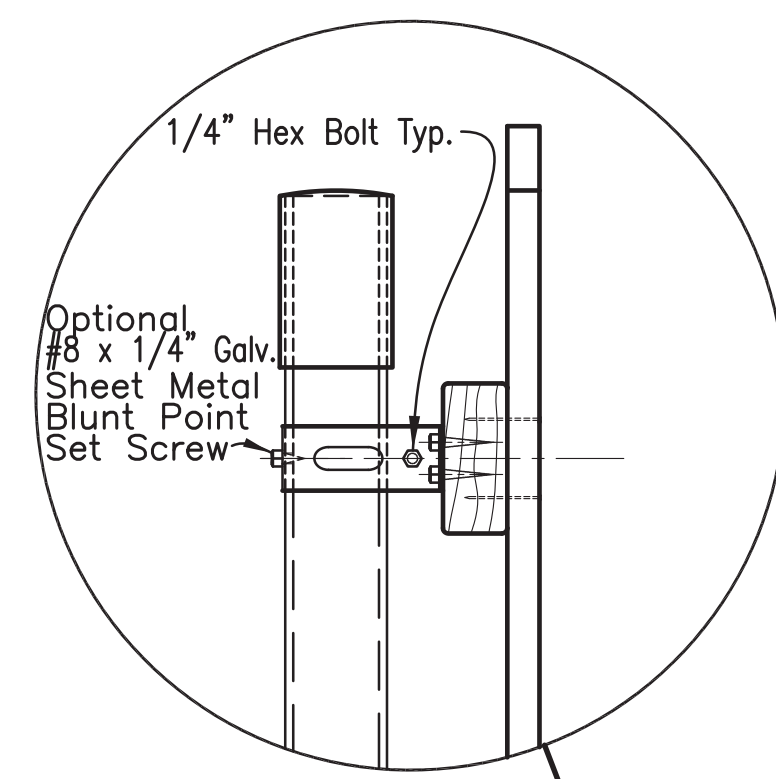
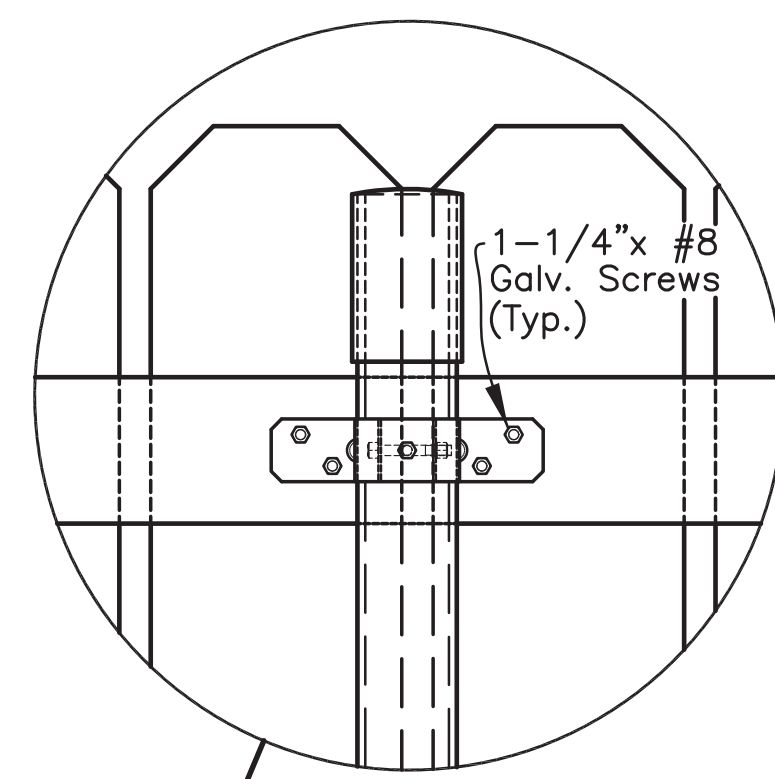
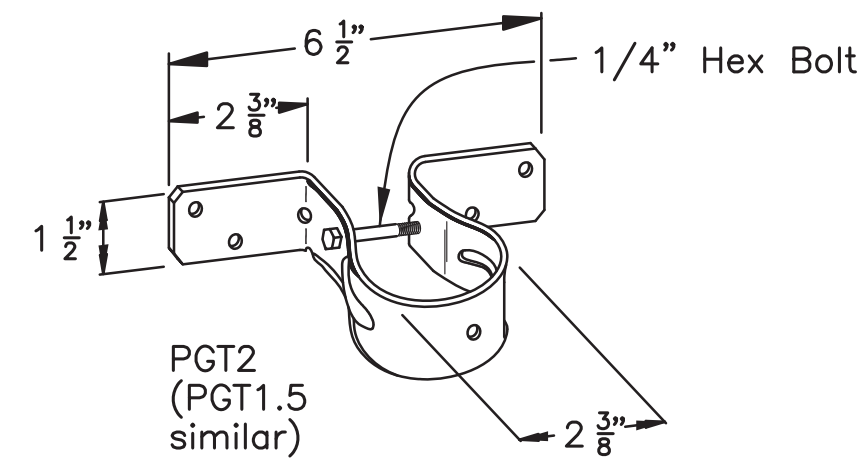
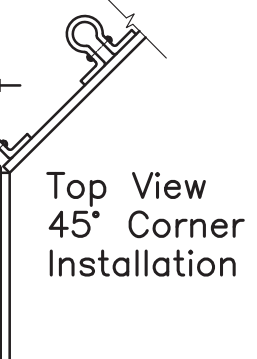
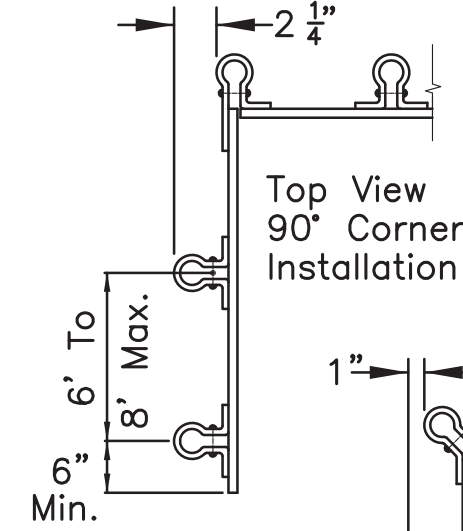
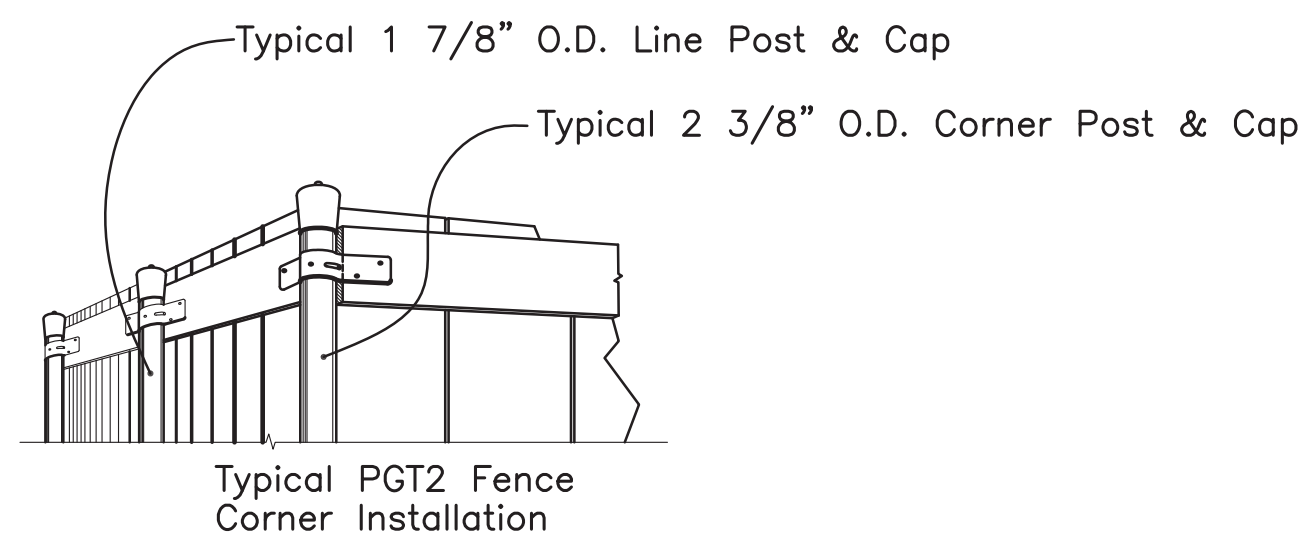
PGT[®] PIPE GRIP TIES OR APPROVED EQUAL.

THE PGT1.5 SHALL BE FOR 1 7/8" OUTSIDE DIAMETER LINE POSTS, AND THE PGT2 SHALL BE FOR 2 3/8" OUTSIDE DIAMETER CORNER POSTS.

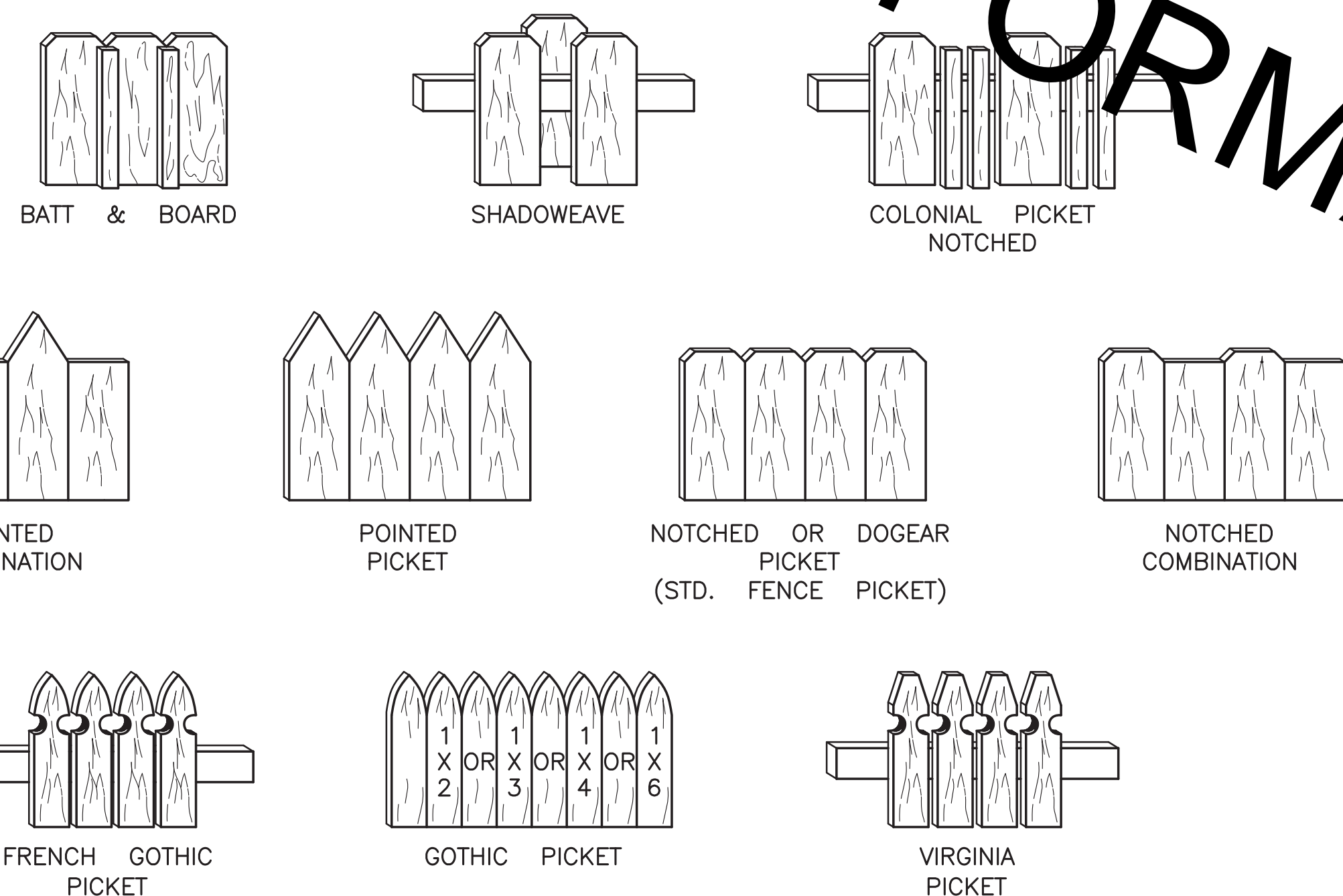
MATERIAL: 12 gauge
FINISH: GALVANIZED

INSTALLATION: USE ALL SPECIFIED FASTENERS. SEE GENERAL NOTES.

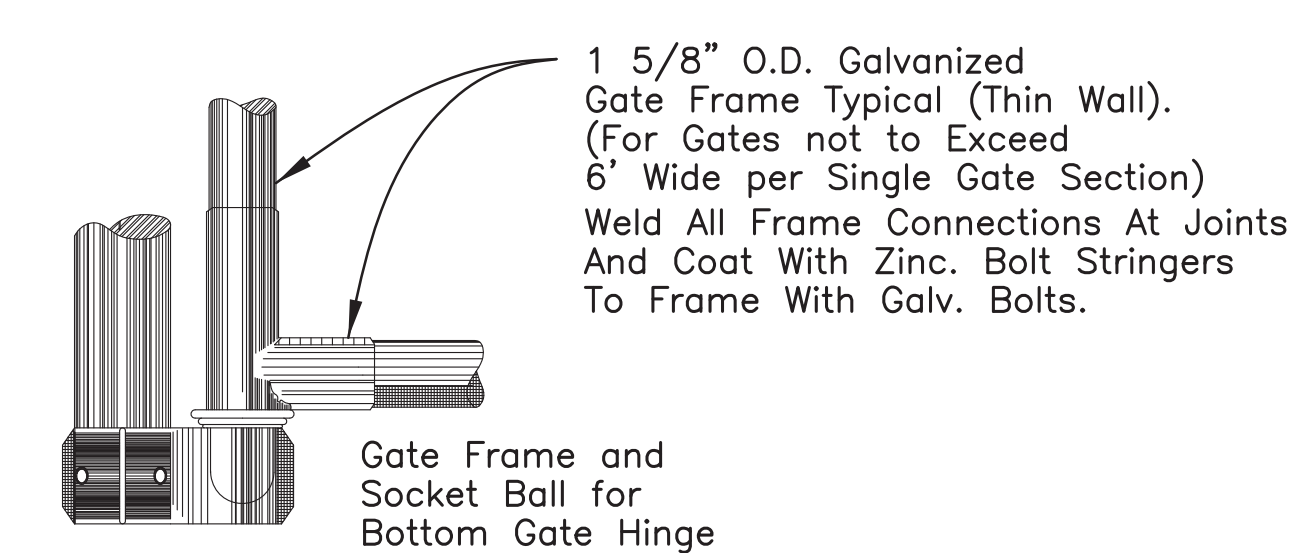
- INSTALL ON VERTICAL PIPES TO ALLOW FOR CORRECT RAIL ALIGNMENT.
- USE 3 PIPE GRIP TIES PER PIPE; LINE UP TO STRINGLINE.
- FASTEN PIPE GRIP TIES TO PIPE WITH 1/4" HEX HEAD BOLT (SUPPLIED).
- PIPE GRIP TIE ATTACHES TO HORIZONTAL RAIL WITH FOUR GALVANIZED SCREWS AS SPECIFIED.
- NAIL OR SCREW FENCE BOARDS TO RAILS USING GALVANIZED FASTENERS AS SPECIFIED.
- 5/16" GALVANIZED CARRAGE BOLTS WITH FLAT WASHERS AND NUTS MAY BE USED IN LIEU OF PIPE GRIP TIES (3 PER POST REQUIRED FOR LINE POST; 6 PER POST REQUIRED FOR CORNER POST; FLAT WASHERS ALL SIDES).



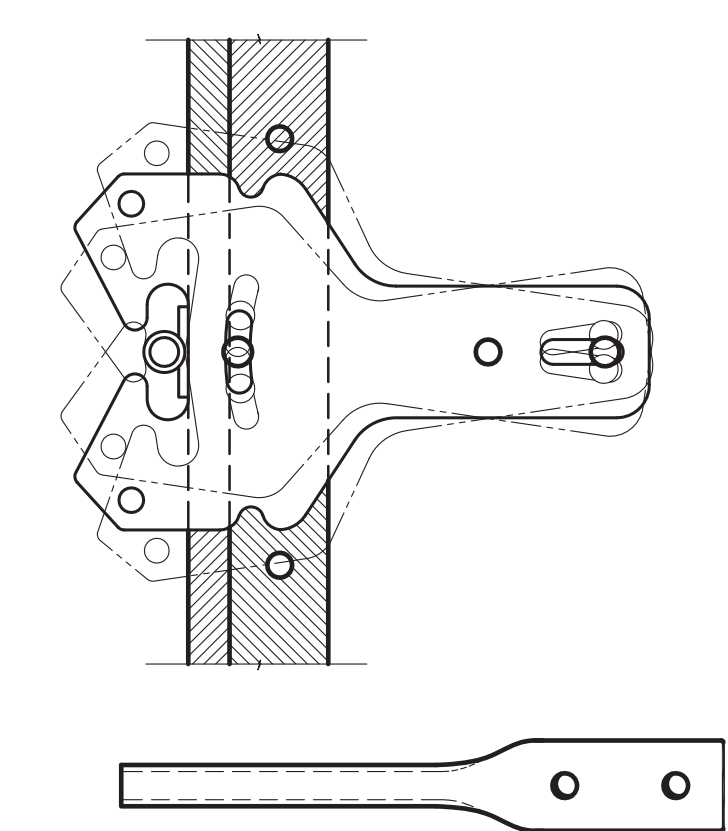
FOR INFORMATION PURPOSES ONLY



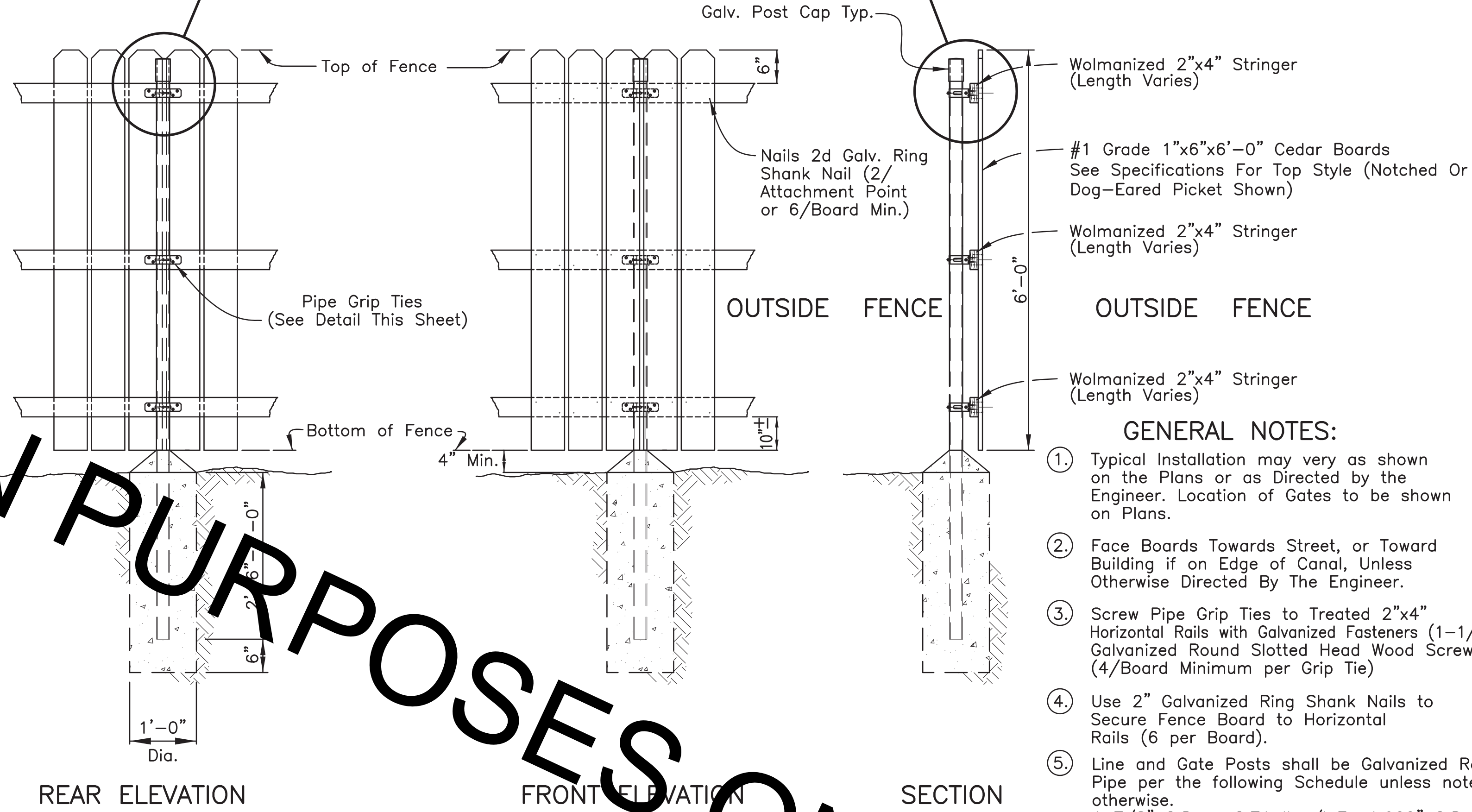
TYPICAL FENCE PICKET DETAILS
(See Specifications)



TYPICAL BOTTOM GATE HINGE



CATCH LATCH DETAIL



REAR ELEVATION FRONT ELEVATION SECTION
FENCE DETAIL 3/4"=1'-0"

- GENERAL NOTES:**
1. Typical Installation may vary as shown on the Plans or as Directed by the Engineer. Location of Gates to be shown on Plans.
 2. Face Boards Towards Street, or Toward Building if on Edge of Canal, Unless Otherwise Directed By The Engineer.
 3. Screw Pipe Grip Ties to Treated 2"x4" Horizontal Rails with Galvanized Fasteners (1-1/4" #8 Galvanized Round Slotted Head Wood Screws). (4/Board Minimum per Grip Tie)
 4. Use 2" Galvanized Ring Shank Nails to Secure Fence Board to Horizontal Rails (6 per Board).
 5. Line and Gate Posts shall be Galvanized Round Pipe per the following Schedule unless noted otherwise.
1 7/8" O.D. = 2.71 lbs./L.F.; 1.900" O.D. Alt.*
2 3/8" O.D. = 3.65 lbs./L.F.; 2.375" O.D. Alt.*
* Alternate Coating requirements for Round Sections- Sections may be externally coated with no less than 0.8 oz./ft. of high grade or special high grade plus zinc conforming to A.S.T.M. B6, followed by a chromate conversion coating of 30+10 micro-grams/in² and an electrostatically applied thermo-plastic acrylic coating having a minimum dry film thickness of 0.3 mil. The Internal surface shall be coated with a zinc rich coating of no less than 81% ZINC powder by weight, 0.3 mil. or greater in thickness.

| DATE | DESCRIPTION REVISIONS | BY |
|------|-----------------------|----|
| | | |

| | | |
|-----------------------------|---------------------------|---------------------|
| STANDARD PLAN NO. 902-04 | DATED February 8, 2008 | SHEET NO. 1 OF 1 |
|-----------------------------|---------------------------|---------------------|

**RESIDENTIAL WOODEN
FENCE DETAILS
(6FT. HIGH OR LESS)**

| | | | |
|--|---------------------|------------------------|-------------------------|
| ENGINEERING DIVISION DEPARTMENT OF PUBLIC WORKS CITY OF BATON ROUGE & PARISH OF EAST BATON ROUGE | | | |
| DESIGNED G. JONES | DRAWN G. VANNICE | CHECKED N. RABALAIS | APPROVED T. STEPHENS |