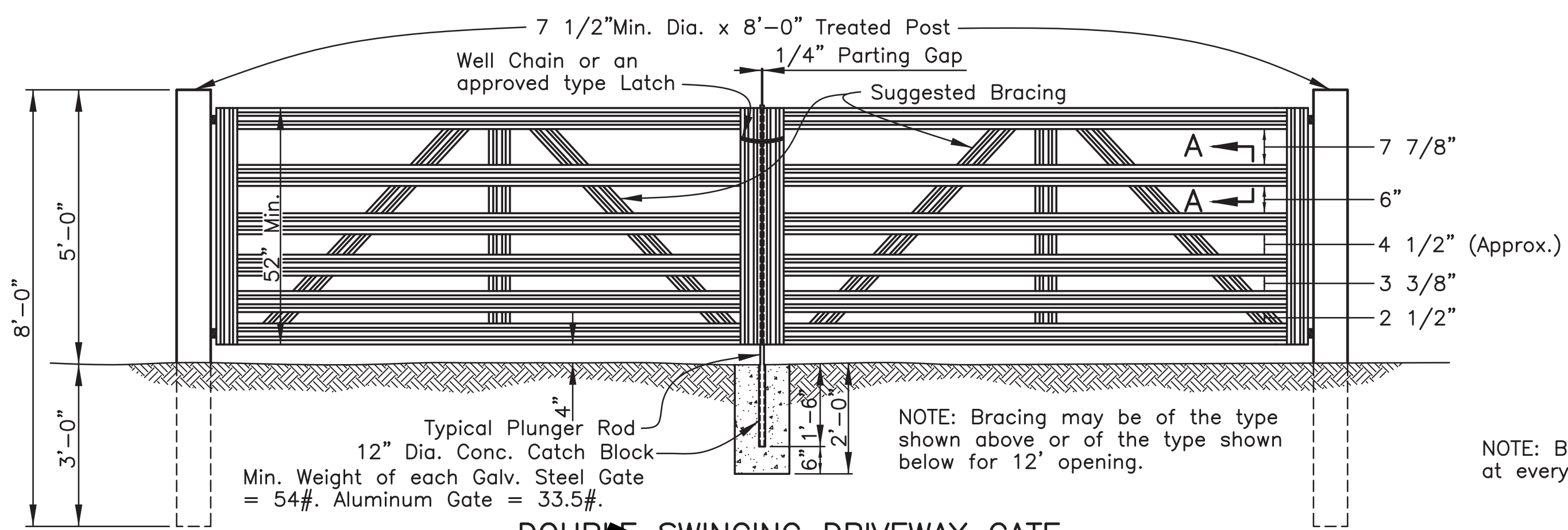
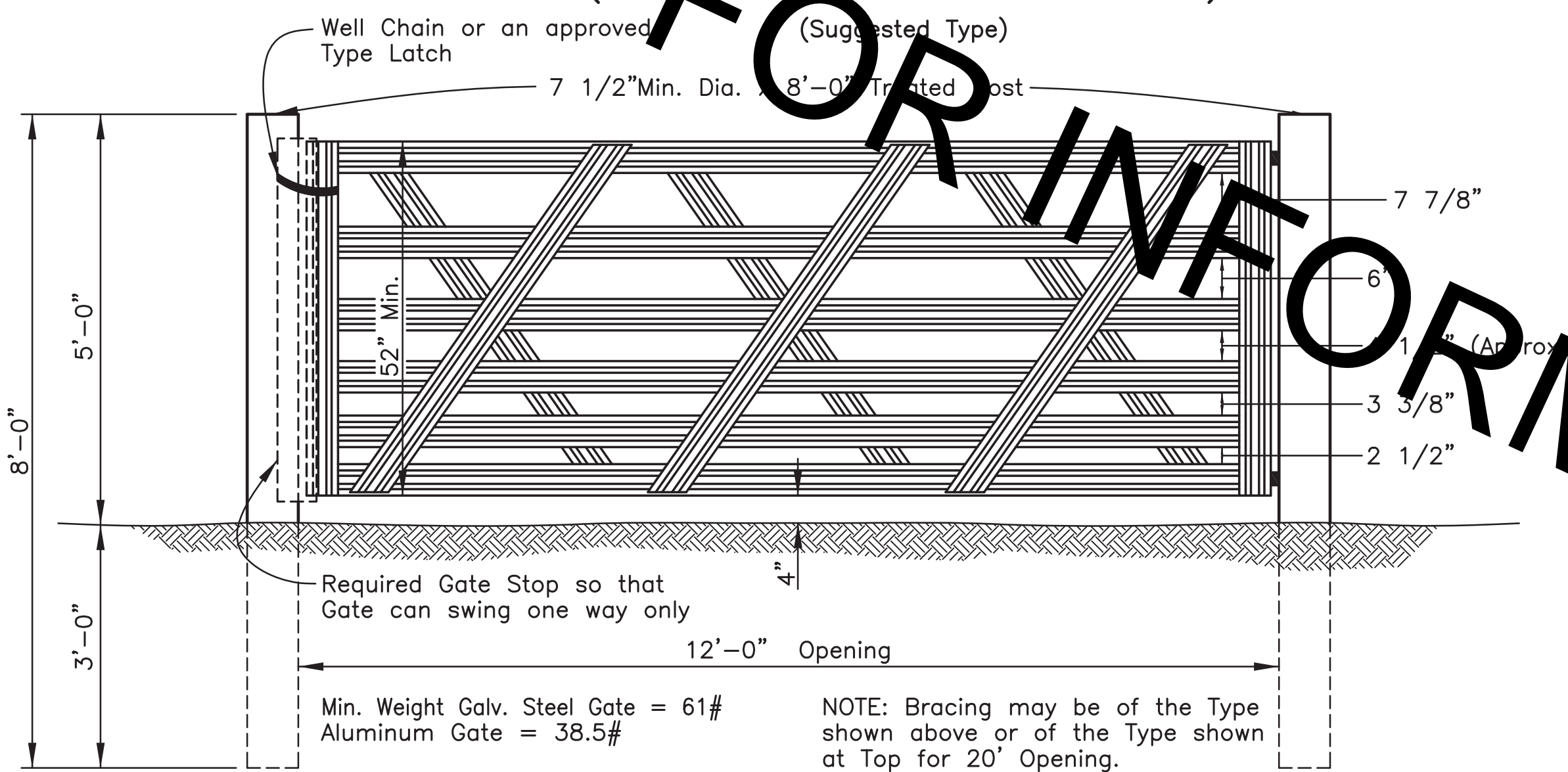


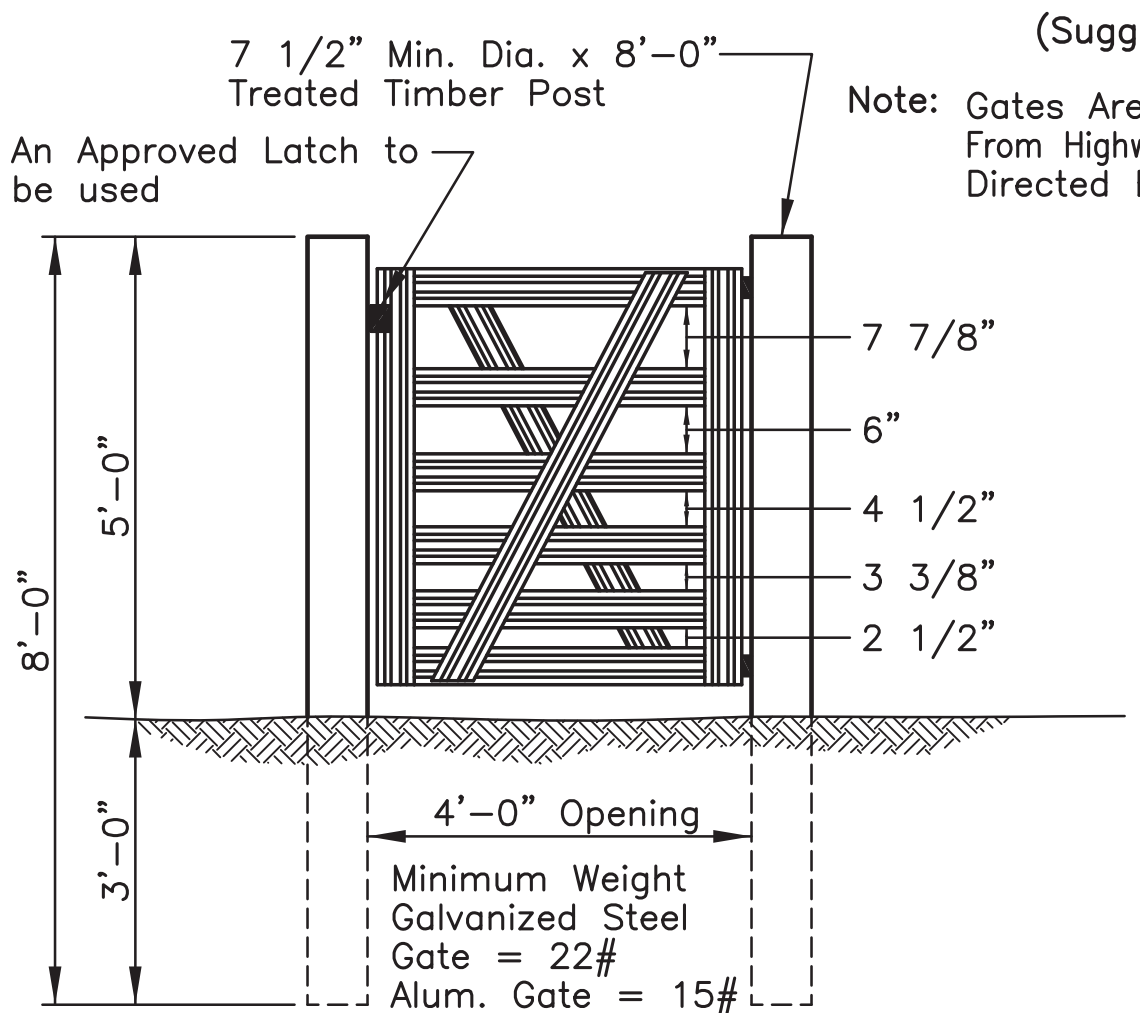
PROJECT NO.	SHEET



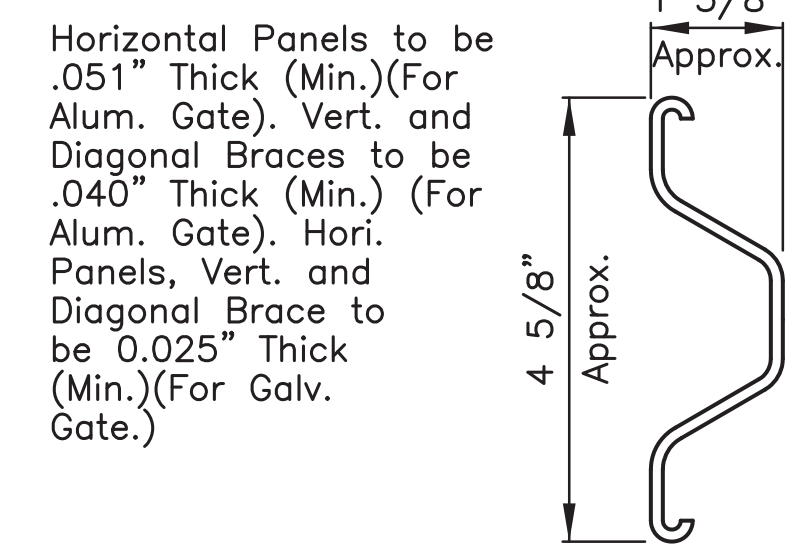
DOUBLE SWINGING DRIVEWAY GATE
(ALUMINUM OR GALVANIZED STEEL)



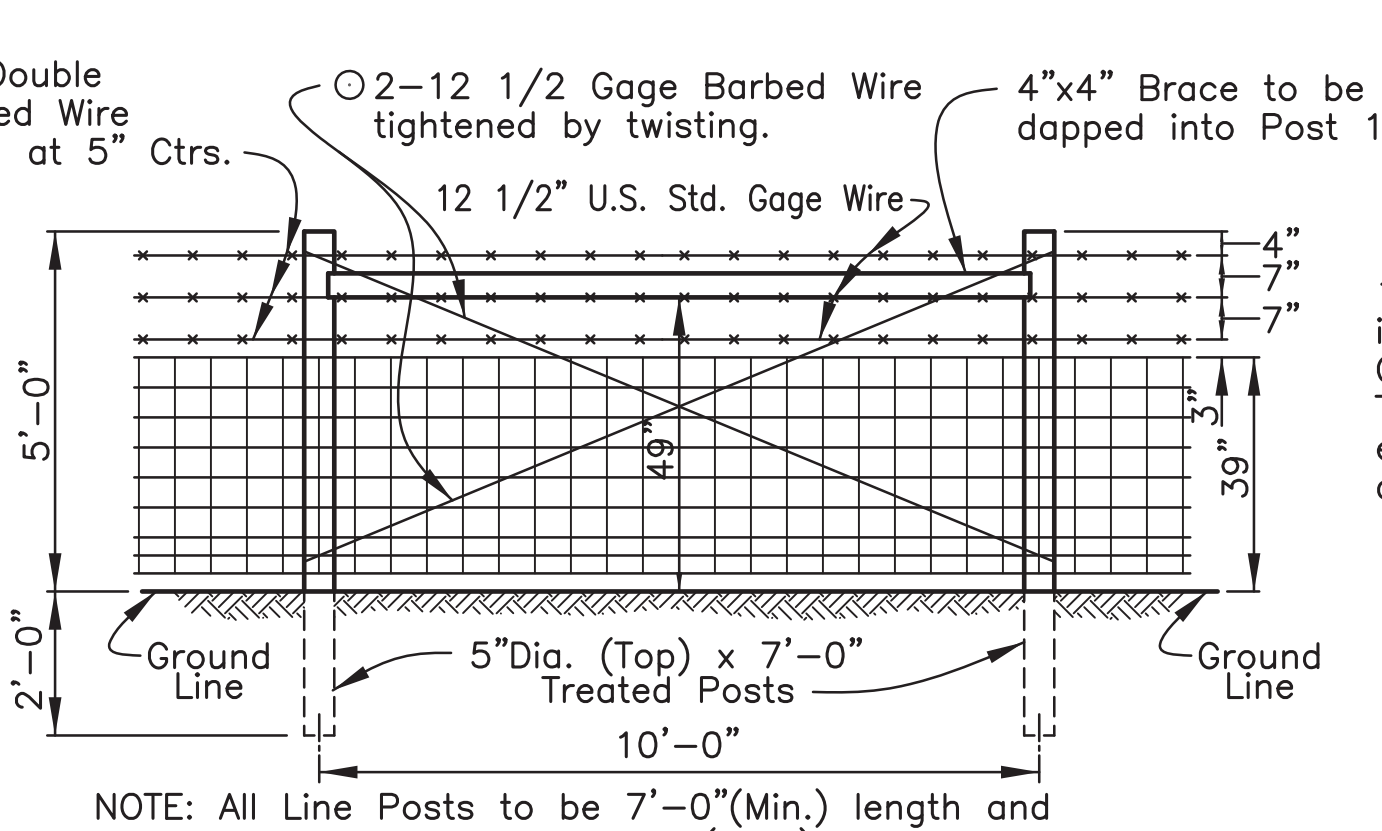
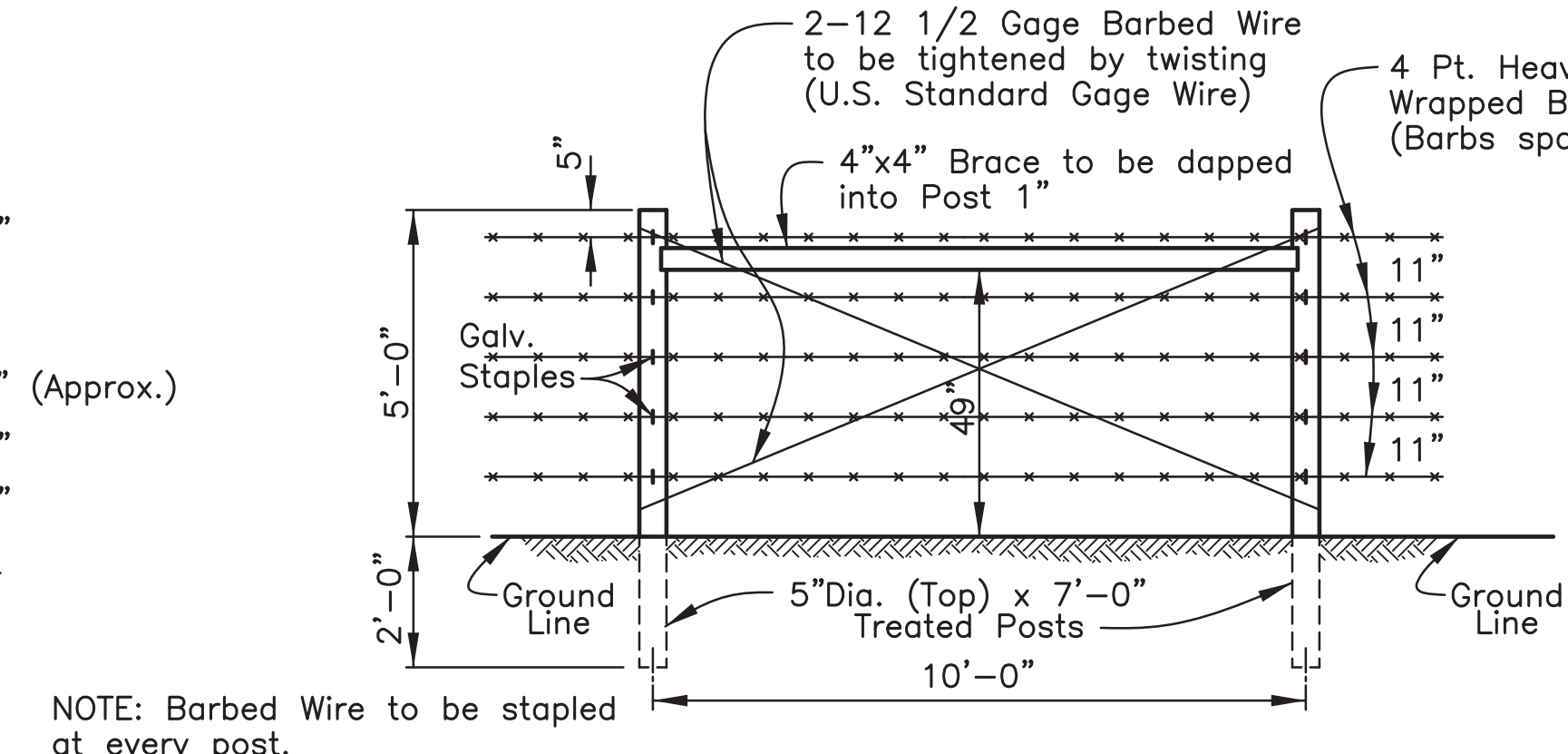
SINGLE SWINGING DRIVEWAY GATE
(ALUMINUM OR GALVANIZED STEEL)



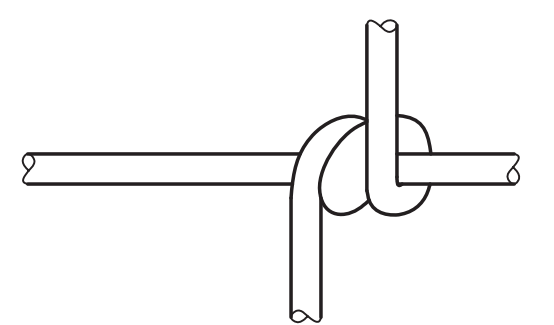
SINGLE SWINGING WALKGATE
(ALUMINUM OR GALVANIZED STEEL)



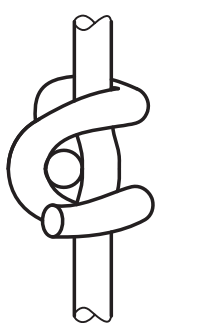
TYPICAL SECTION THRU PANEL
SECTION A-A
HALF SCALE



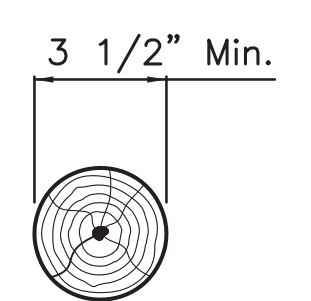
1 3/4" Galv. staples to be used in Wooden Posts.
Galv. Staples to be placed on Top and Bottom Strands and every other Wire between, alternating on successive Posts.



Nominal Dia. of Zinc-Coated Wire, 0.099 in. Variation ±0.004 in. (Design No. 939-6-12 1/2)

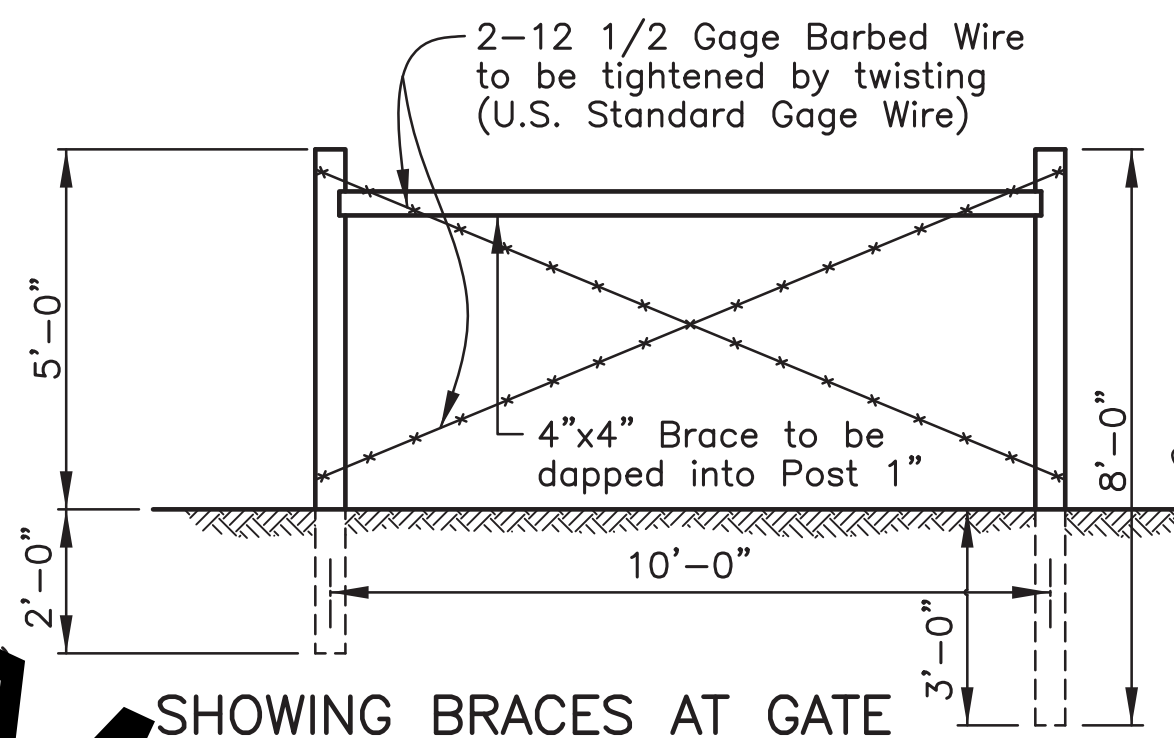


Nominal Dia. of Zinc-Coated Wire, 0.099 in. Variation ±0.004 in. (Design No. 939-6-12 1/2)



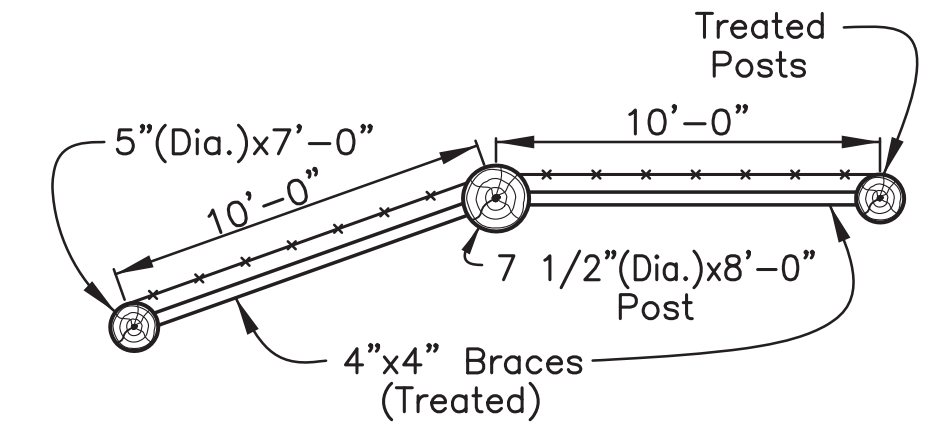
TREATED WOODEN LINE POST

(Nominal 4" Diam.)
All Post Diameters are mean Diam. at small end.
All wooden Posts and Braces shall be either round or sawed.

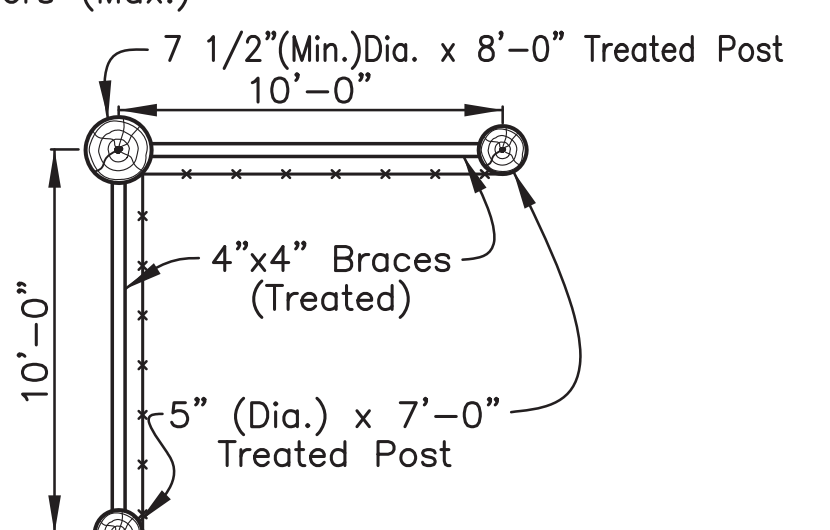


SHOWING BRACES AT GATE (BACK VIEW)

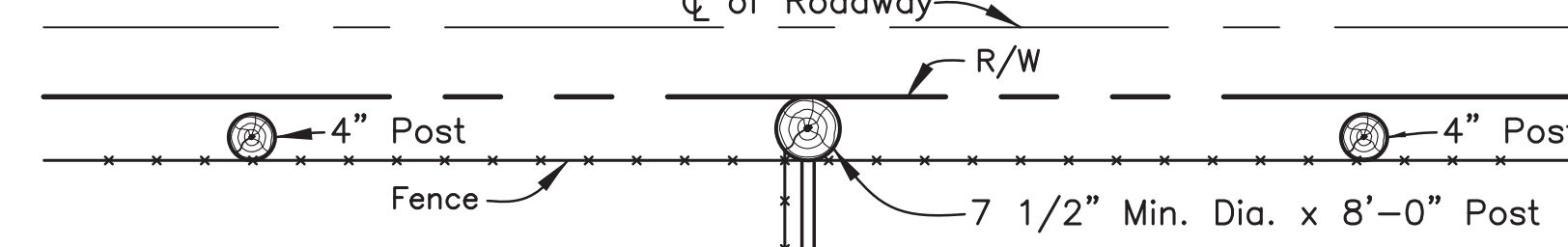
SHOWING BRACE IN STRAIGHT LINE OF FENCE



SHOWING BRACES AT OBLIQUE ANGLE CORNERS



SHOWING BRACES AT RIGHT ANGLE CORNERS

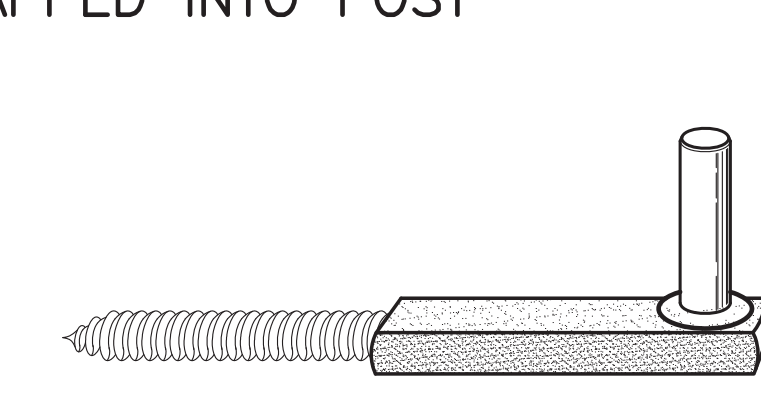


INTERSECTING BRACES ALONG R/W TO BE INSTALLED IN FENCES

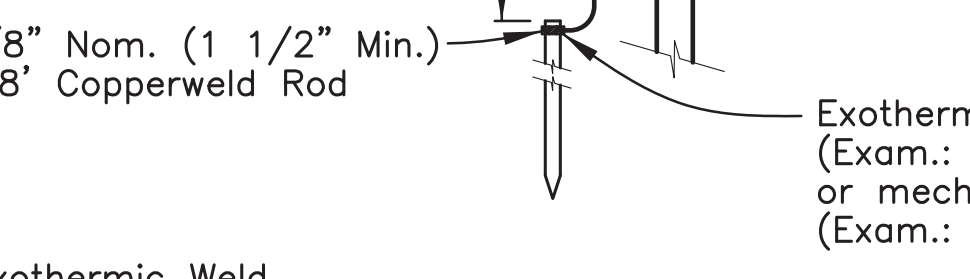
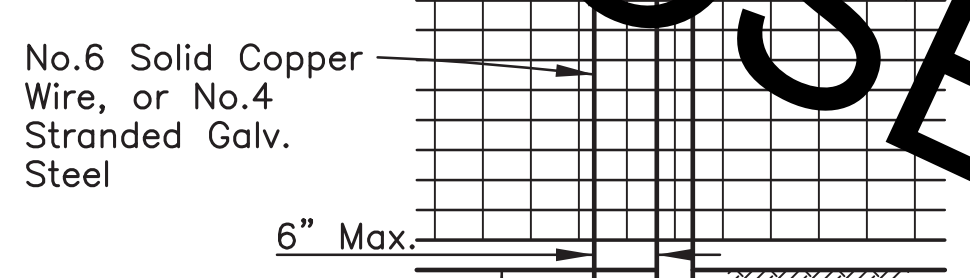
All intersecting fences to be securely attached to the Frontage Fence as shown here.



DETAIL OF BRACE DAPPED INTO POST



SUGGESTED TYPE SCREW HOOK HINGE FOR WOODEN POST

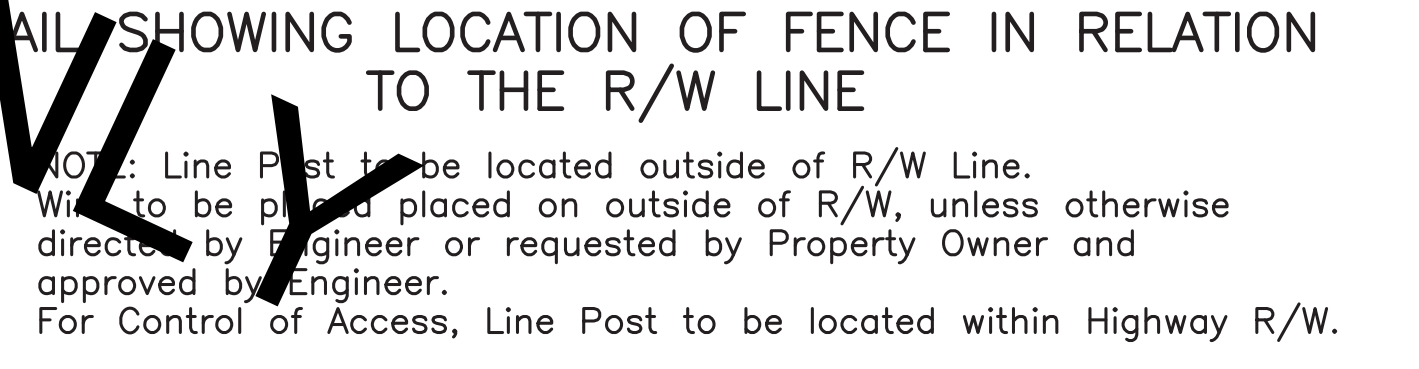


COMBINATION MESH & BARBED WIRE

NOTE: Grounding devices are to be installed in accordance with the Standard Specifications.

Connection to Aluminum Alloy or aluminum coated fence to be made with steel mechanical connectors. All other mechanical connectors to be bronze.

All connection methods to be approved by Project Engineer.



DETAIL SHOWING LOCATION OF FENCE IN RELATION TO THE R/W LINE

5-STRAND BARBED WIRE

GROUNDING DETAILS

DATE	DESCRIPTION	BY
	REVISIONS	

STANDARD PLAN NO. 902-01	DATED FEBRUARY 4, 2008	SHEET NO. 1 OF 2
-----------------------------	---------------------------	---------------------

FIELD TYPE FENCE (WOOD POST)			
ENGINEERING DIVISION DEPARTMENT OF PUBLIC WORKS CITY OF BATON ROUGE & PARISH OF EAST BATON ROUGE			
DESIGNED R. ELLIS	DRAWN G. VANNICE	CHECKED N. RABALAIS	APPROVED T. STEPHENS