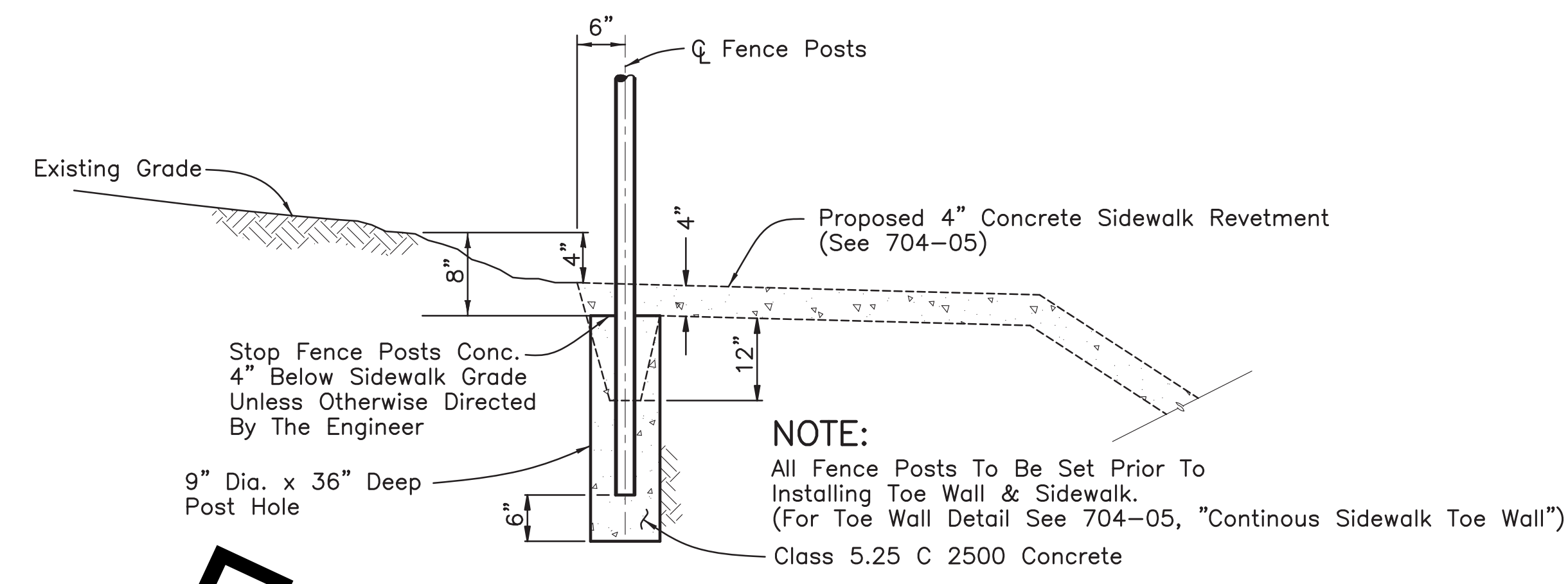
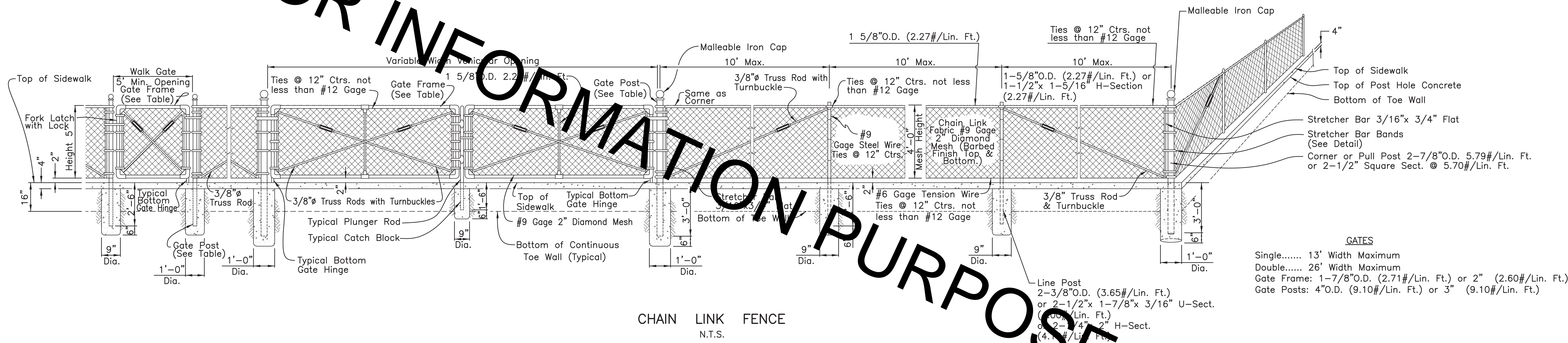


PROJECT NO.	SHEET

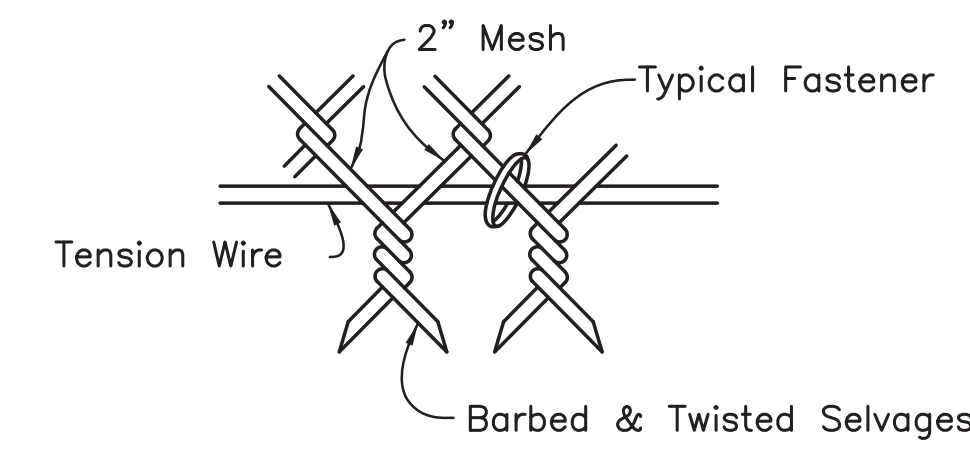


FOR INFORMATION PURPOSES ONLY

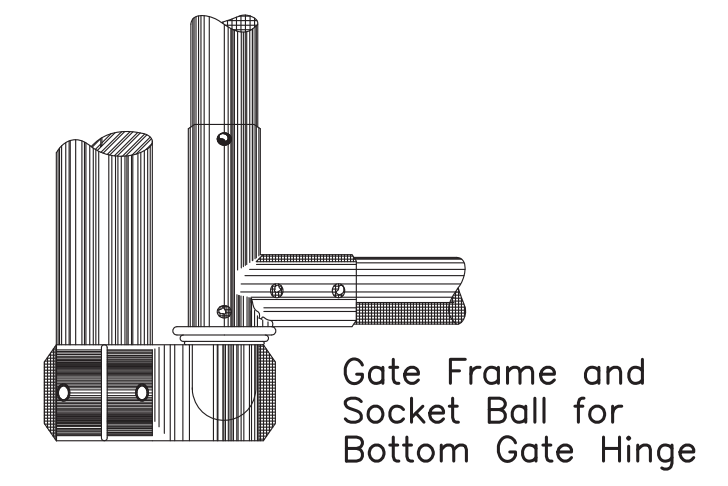


GATES
 Single..... 13' Width Maximum
 Double..... 26' Width Maximum
 Gate Frame: 1-7/8" O.D. (2.71#/Lin. Ft.) or 2" (2.60#/Lin. Ft.)
 Gate Posts: 4" O.D. (9.10#/Lin. Ft.) or 3" (9.10#/Lin. Ft.)

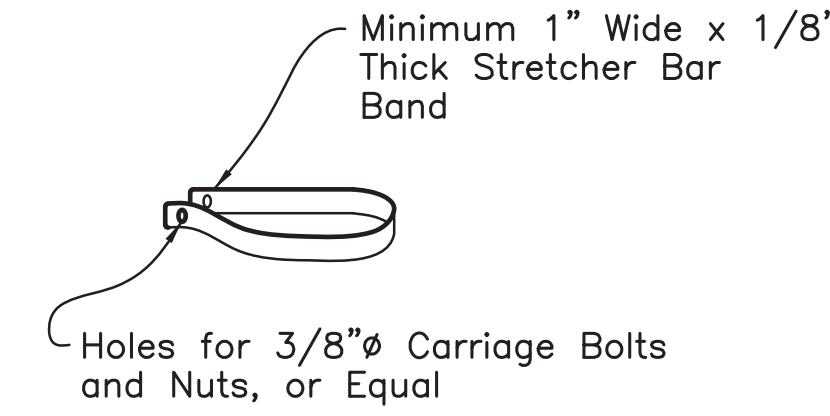
General Note:
 Typical Installation Plan may vary as shown on the Plans or as Directed by the Engineer. Location of Gates to be shown on Plans.



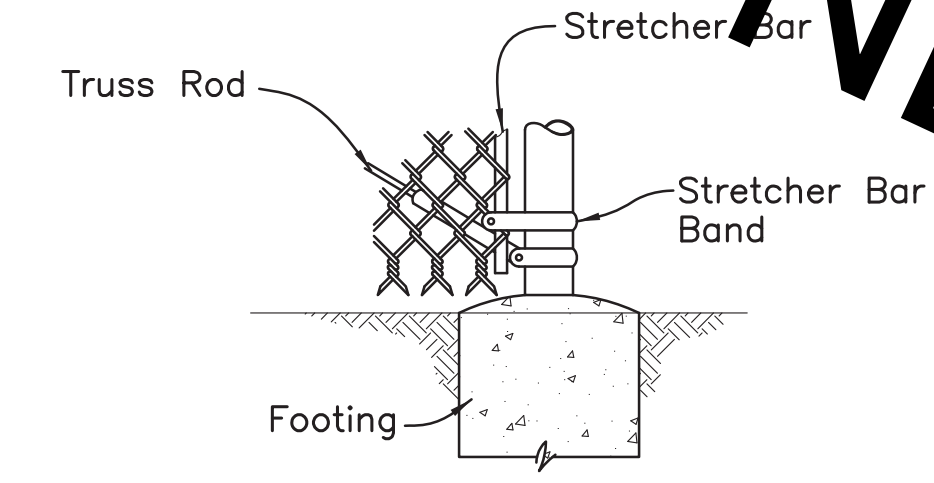
FABRIC & TENSION WIRE DETAIL
 Tension Wire Req'd. on Bottom Only



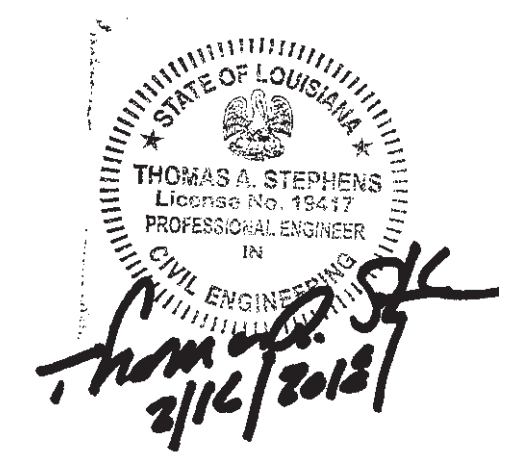
TYPICAL BOTTOM GATE HINGE



TYPICAL STRETCHER BAR BAND



TERMINAL POST DETAIL



DATE	DESCRIPTION	BY
	REVISIONS	

STANDARD PLAN NO. 704-07	DATED January 18, 2008	SHEET NO. 1 OF 1
-----------------------------	---------------------------	---------------------

**CONCRETE CANAL LINING
 FENCE DETAILS**

ENGINEERING DIVISION DEPARTMENT OF PUBLIC WORKS CITY OF BATON ROUGE & PARISH OF EAST BATON ROUGE			
DESIGNED J.M. KLIER	DRAWN G. VANNICE	CHECKED B. HARMON	APPROVED B. HARMON