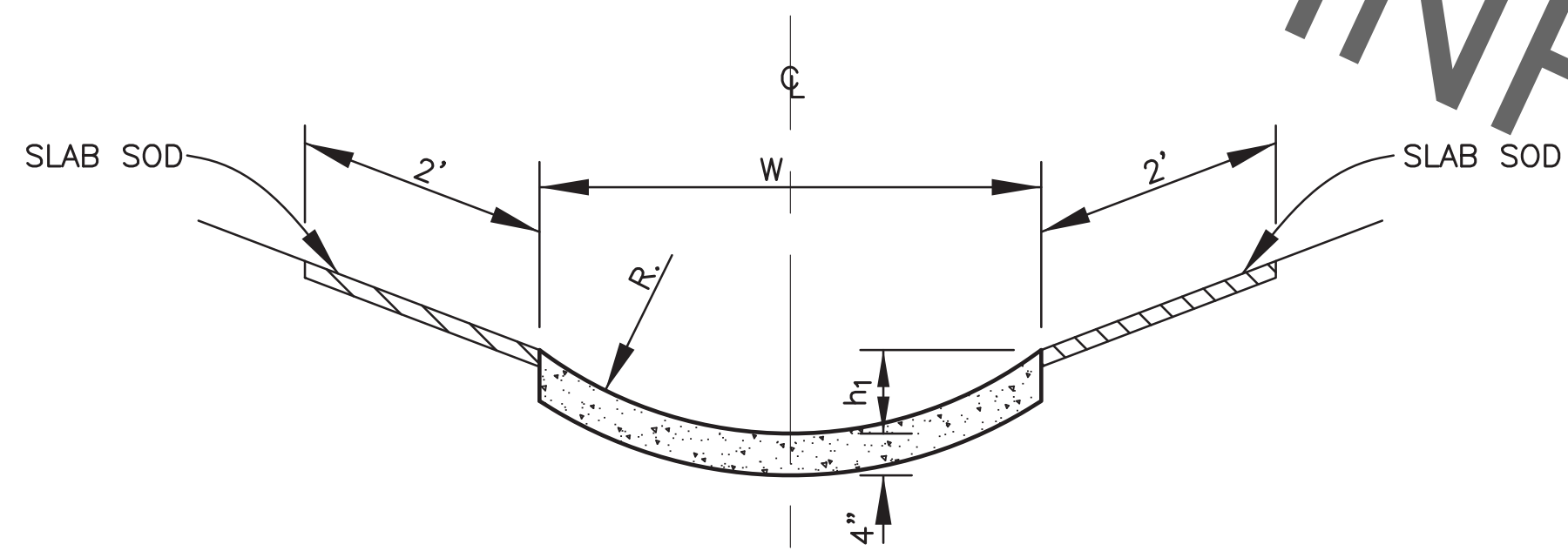
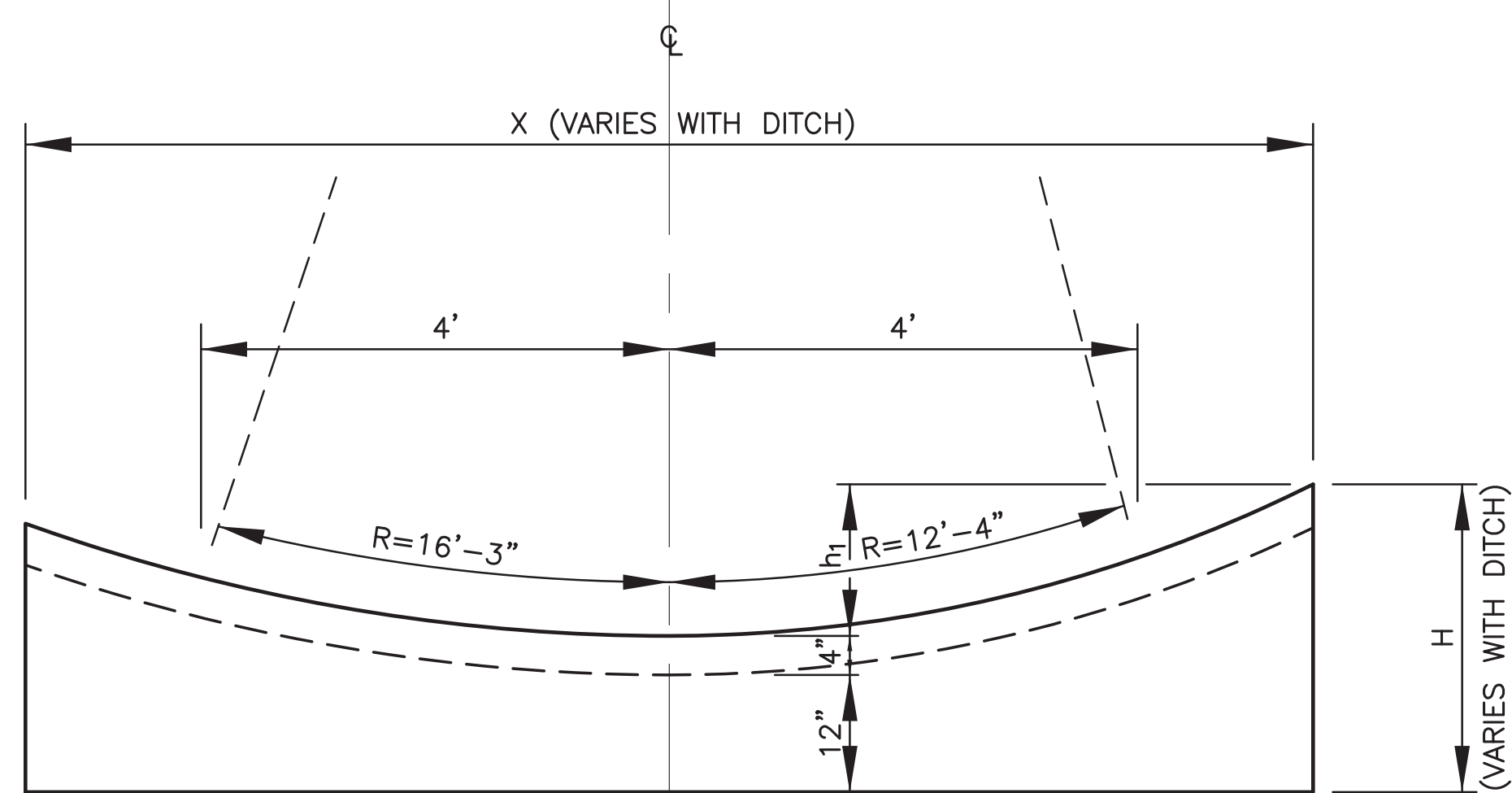


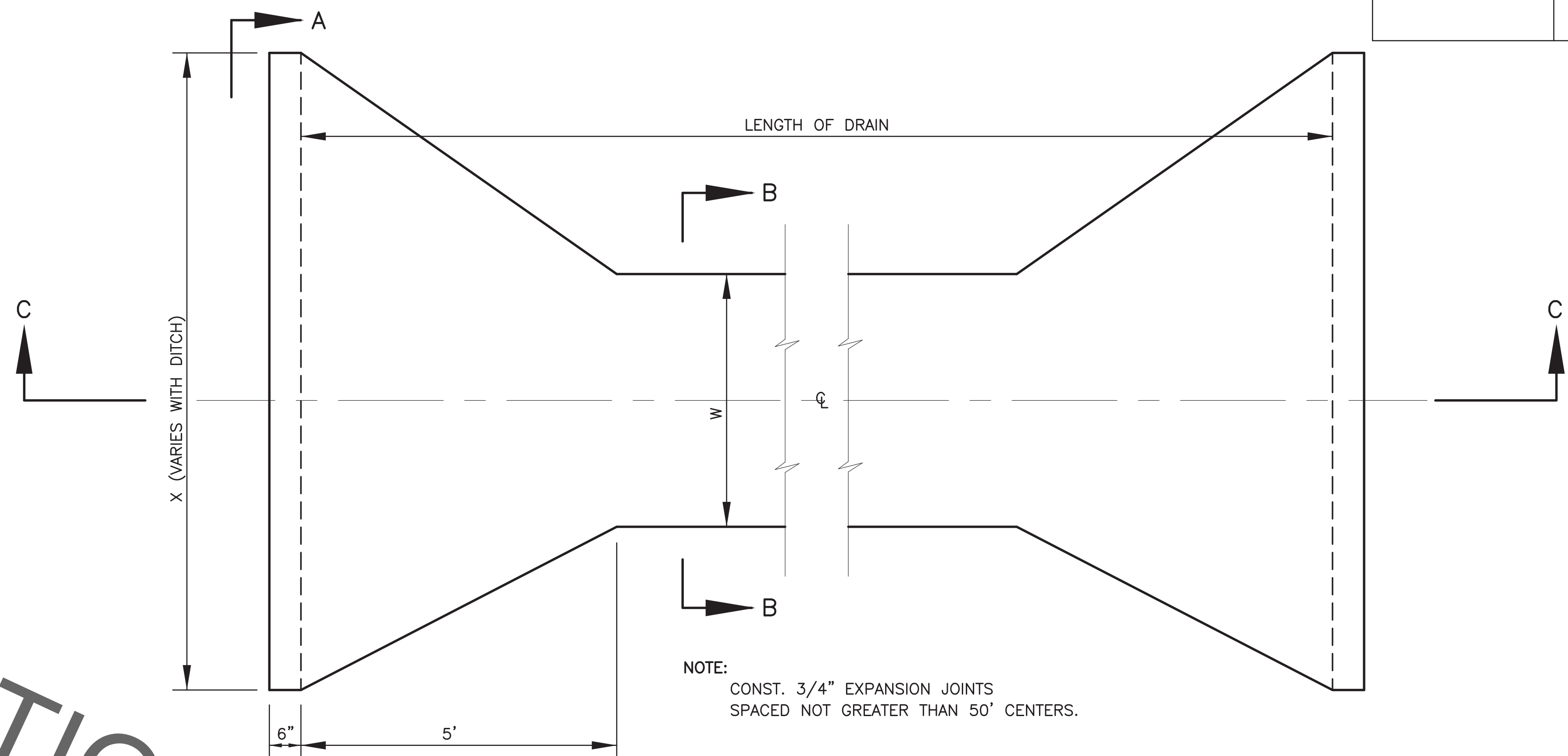
PLAN SHOWING METHODS OF FLAIRING
& SLAB SOD FOR PAVED DRAINS
SCALE: 1/8"=1'-0"



SECTION B-B
SCALE: 3/4"=1'-0"

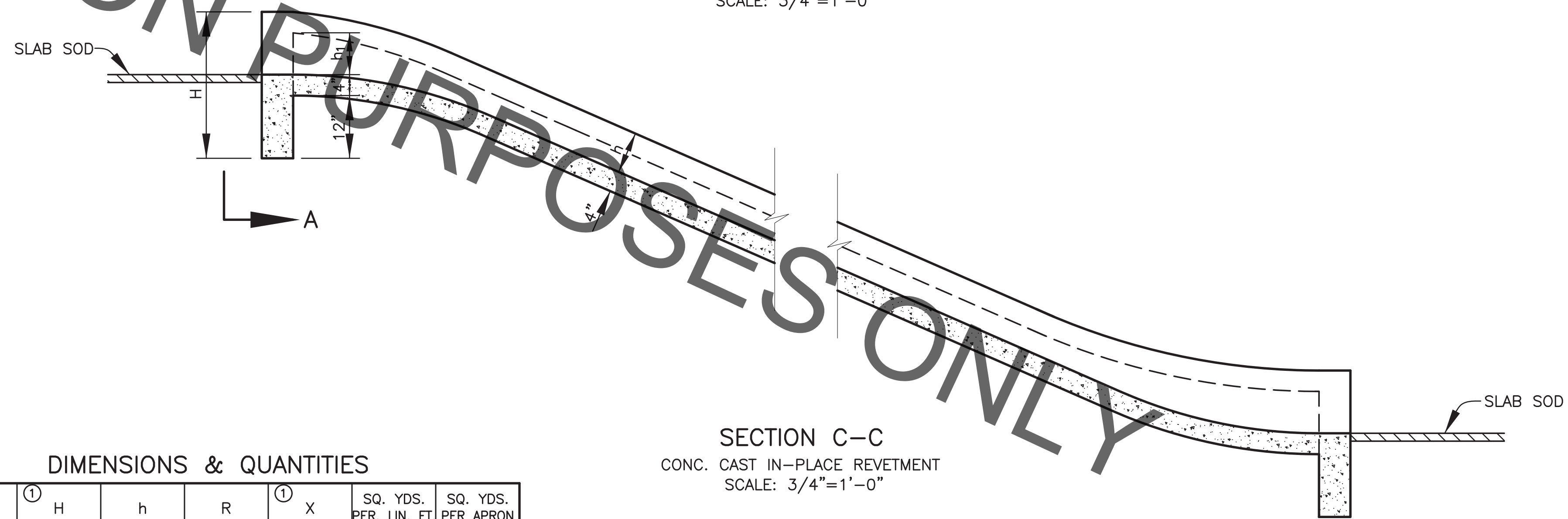


SECTION A-A
SCALE: 3/4"=1'-0"



PLAN OF PAVED DRAIN
SCALE: 3/4"=1'-0"

NOTE:
CONST. 3/4" EXPANSION JOINTS
SPACED NOT GREATER THAN 50' CENTERS.



SECTION C-C
CONC. CAST IN-PLACE REVETMENT
SCALE: 3/4"=1'-0"

DIMENSIONS & QUANTITIES

W	H	h	R	X	SQ. YDS. PER. LIN. FT.	SQ. YDS. PER APRON
4'	2'-4"	8"	3'-4"	11'-0"	0.48	6.99
6'	2'-8"	12"	5'-0"	13'-0"	0.71	9.01
8'	2'-11"	1'-4"	6'-8"	15'-0"	0.95	11.09
10'	3'-2"	1'-8"	8'-4"	17'-0"	1.19	12.87

① FOR ESTIMATING PURPOSES ONLY.

NOTE:
W TO EQUAL DITCH BOTTOM SHOWN ON PLANS.
W TO BE INCREASED AS DISCHARGE REQUIRES.

FOR INFORMATION PURPOSES ONLY

THOMAS A. STEPHENS
License No. 15217
PROFESSIONAL ENGINEER
IN
CIVIL ENGINEERING
2/16/2013

STANDARD PLAN NO. 704-02 DATED February 4, 2008 SHEET NO. 1 OF 1

PAVED DITCH DRAIN

ENGINEERING DIVISION
DEPARTMENT OF PUBLIC WORKS
CITY OF BATON ROUGE & PARISH OF EAST BATON ROUGE

DATE	DESCRIPTION REVISIONS	BY

DESIGNED R. ELLIS DRAWN G. VANNICE CHECKED R. ELLIS APPROVED T. STEPHENS