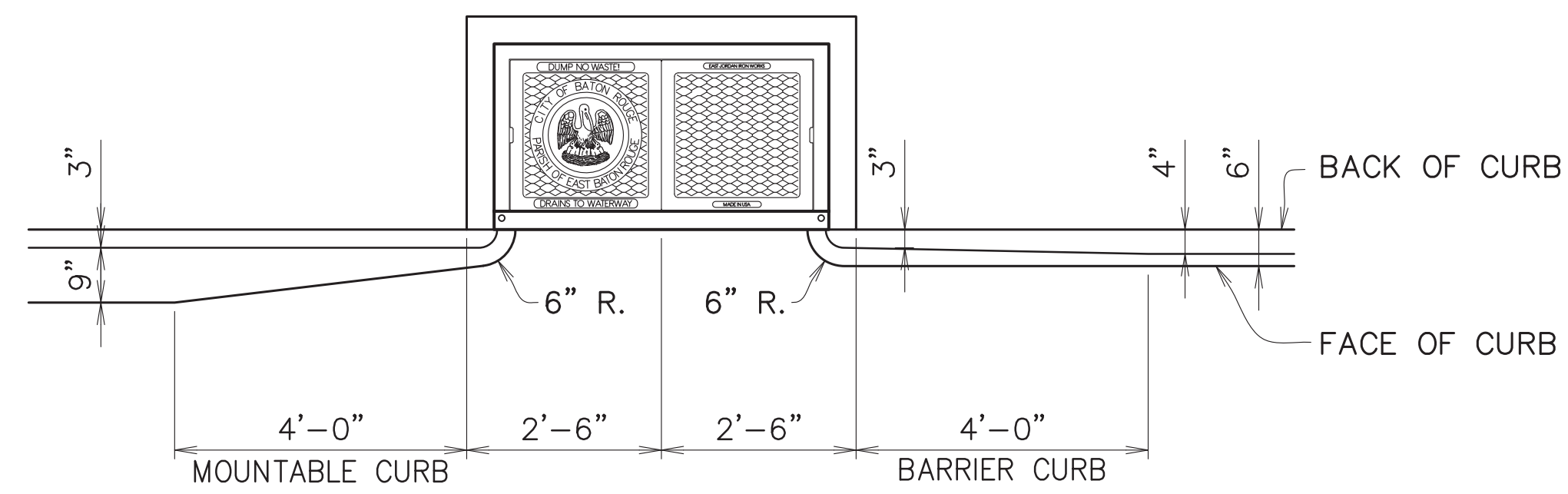
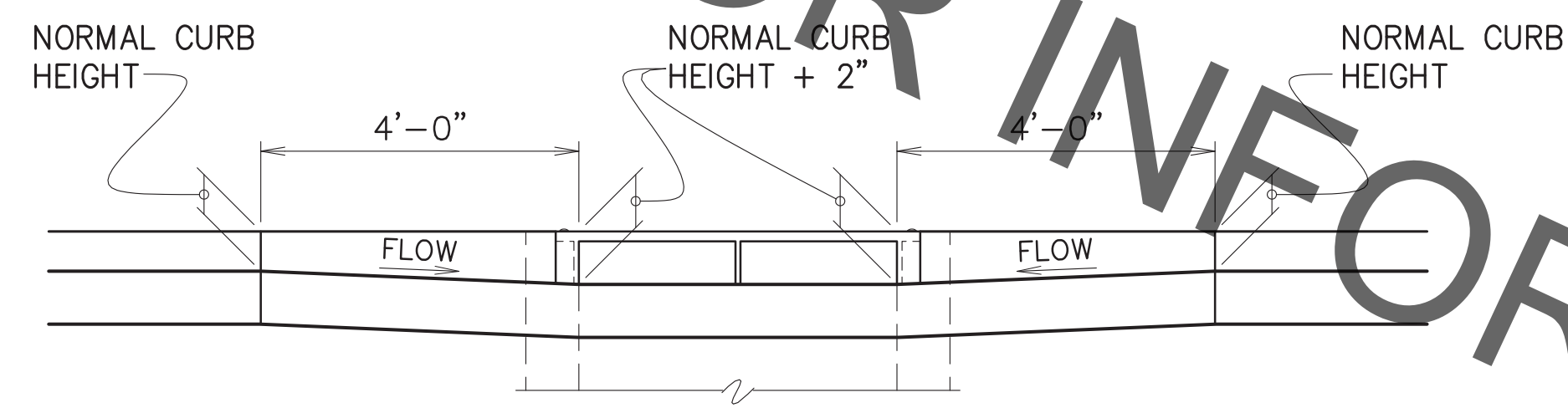


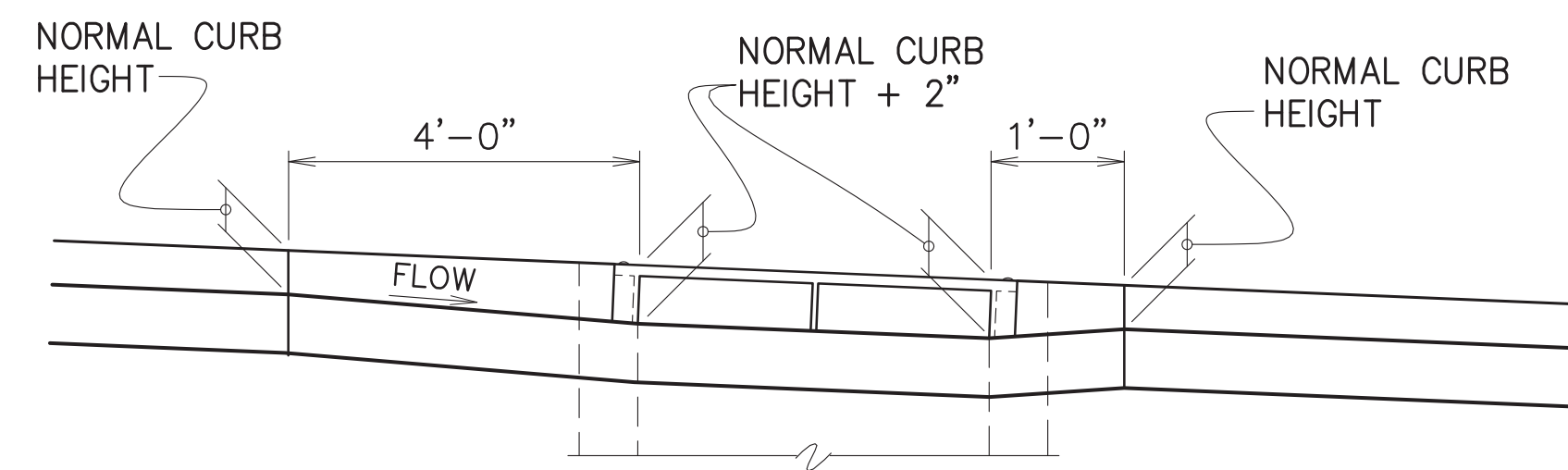
PROJECT NO.	SHEET



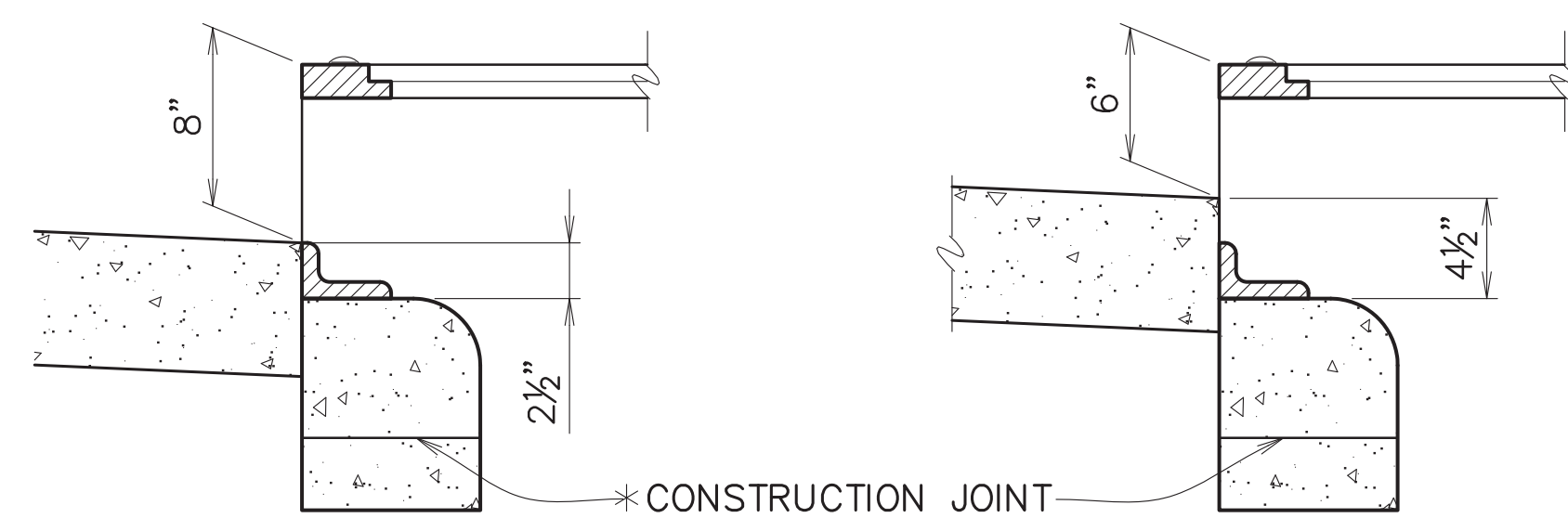
PLAN
TRANSITION IN CURB WIDTH
SCALE: 1/2"=1'-0"



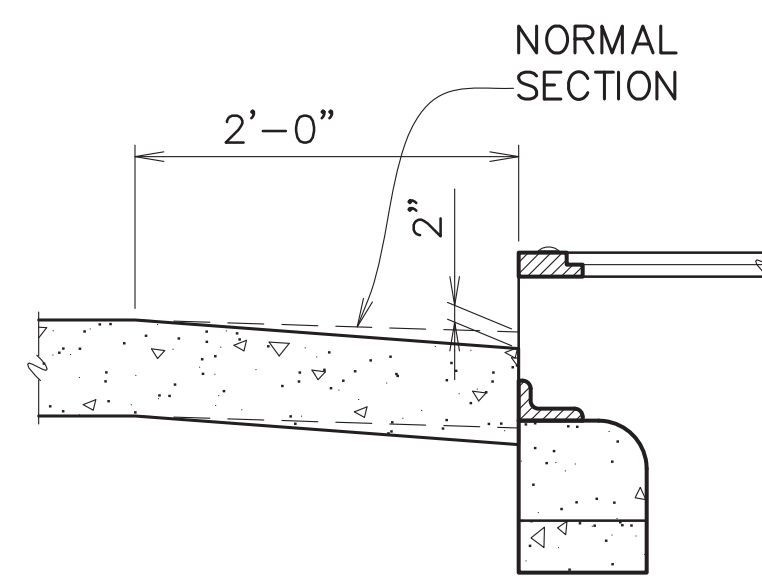
TRANSITION IN CURB HEIGHT
CURB INLET @ LOW POINT



TRANSITION IN CURB HEIGHT
CURB INLET ON GRADE



INLET CONFIGURATION
SCALE: 1-1/2"=1'-0"



SECTION
SHOWING PAVEMENT SUMP
SCALE: 1"=1'-0"

* NOTE:
THE BASIN SHALL NOT BE CONSTRUCTED ABOVE BOTTOM OF PAVEMENT ELEVATION UNTIL THE PAVING ADJACENT TO THE BASIN IS IN PLACE.

FOR INFORMATION PURPOSES ONLY

THOMAS A. STEPHENS
 LICENSE NO. 19417
 PROFESSIONAL ENGINEER
 IN
 CIVIL ENGINEERING
Thomas A. Stephens
 2/16/2013

STANDARD PLAN No. 702-98	DATED DEC. 6, 2010	SHT. No. 1 OF 1
-----------------------------	-----------------------	--------------------

**DRAINAGE STRUCTURES
CURB TRANSITION DETAILS**

ENGINEERING DIVISION DEPARTMENT OF PUBLIC WORKS CITY OF BATON ROUGE & PARISH OF EAST BATON ROUGE			
DESIGNED GLP	DRAWN GLP	CHECKED GLP	APPROVED T. STEPHENS

DATE	DESCRIPTION	BY