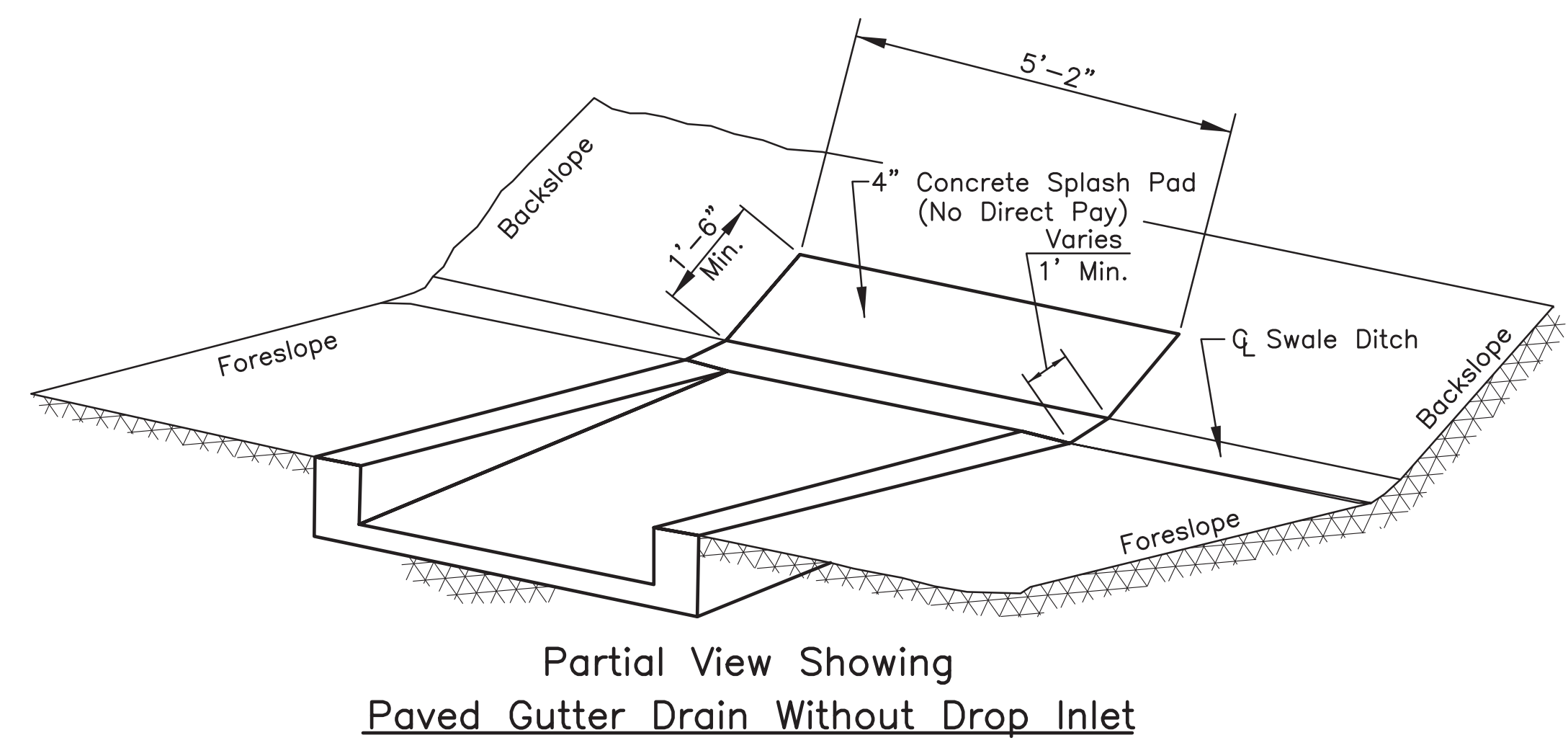
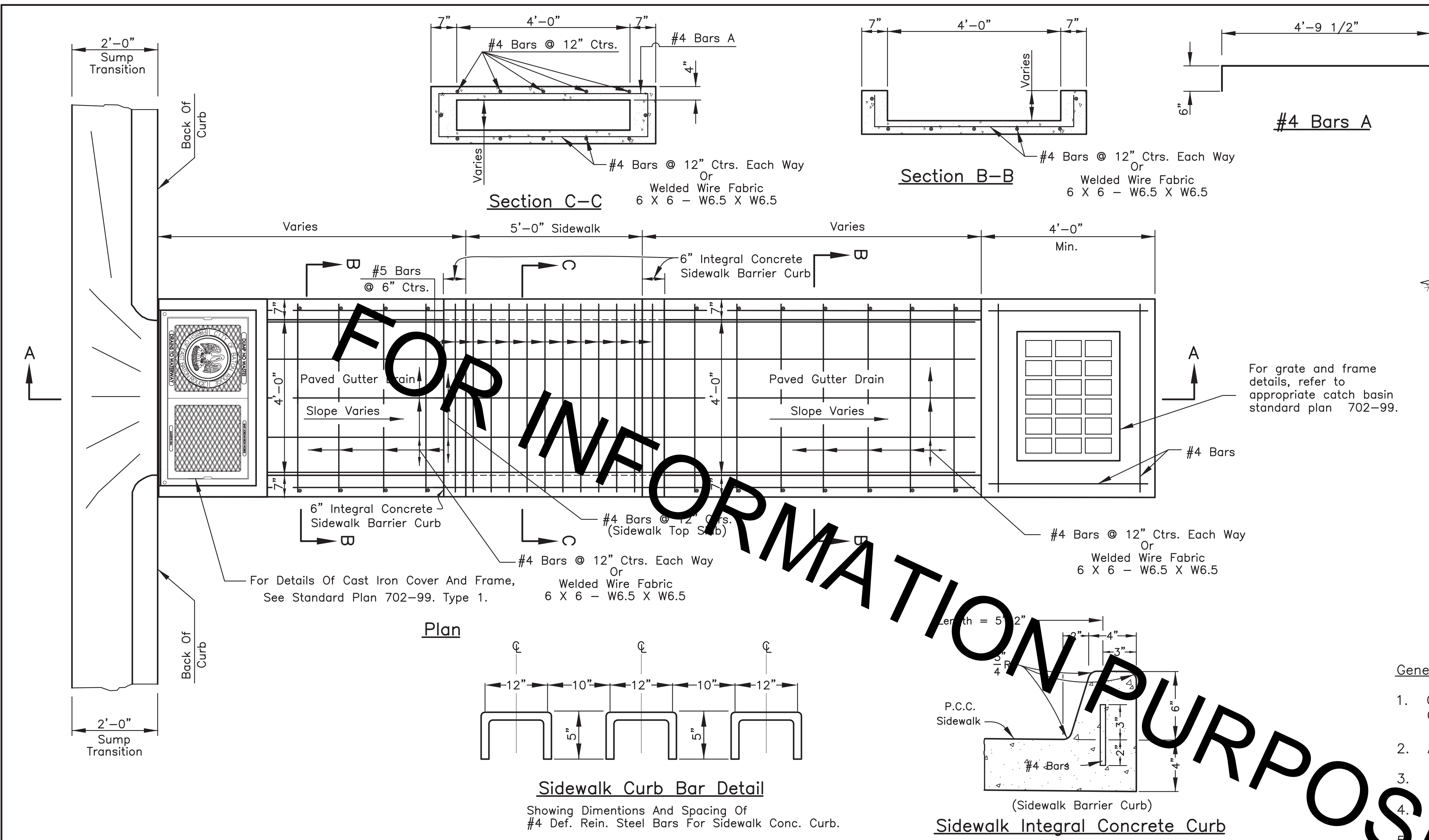


PROJECT NO.	SHEET

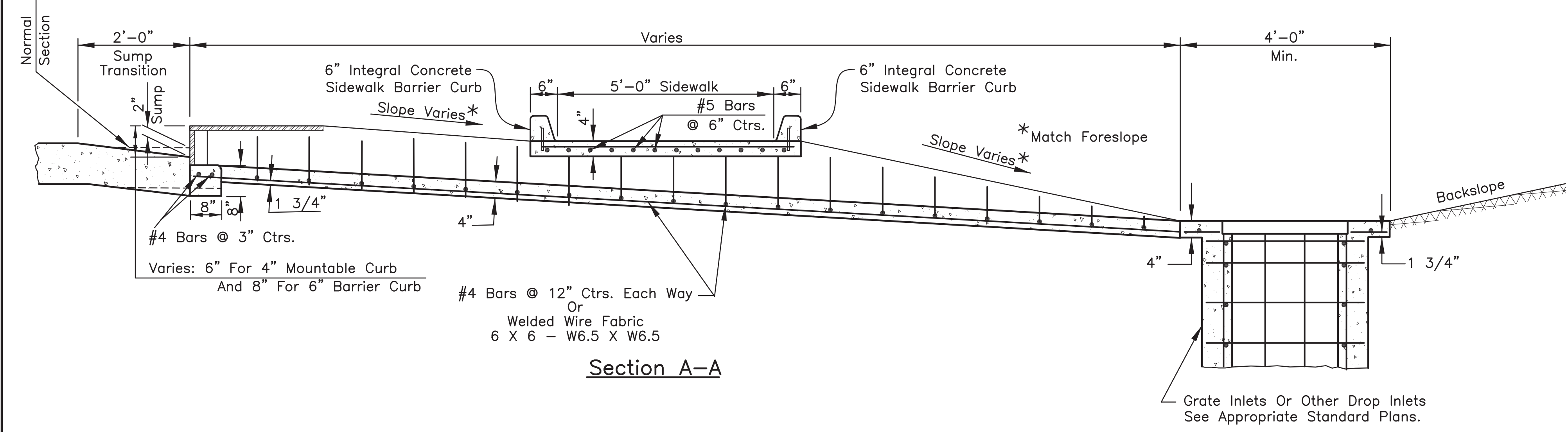


For grate and frame details, refer to appropriate catch basin standard plan 702-99.

FOR INFORMATION PURPOSES ONLY

General Notes:

1. Construction Specifications: Latest approved The Standard Specifications for Public Works Construction, City of Baton Rouge and Parish of East Baton Rouge, Louisiana.
2. All exposed Corners to have 3/4" chamfer unless otherwise noted.
3. Dimensions relating to reinforcing steel are to bar centers.
4. Reinforcing steel shall have 2" cover unless otherwise specified.
5. If precast catch basin is used, please refer to standard plan 702-97 for details and specifications.
6. See standard plan 702-99 for frame and cover details.
7. Concrete shall not be laid above bottom of pavement until paving adjacent to inlet has been completed.
8. See standard plan 702-98 for curb transition details.



THOMAS A. STEPHENS
 LICENSE NO. 16417
 PROFESSIONAL ENGINEER
 IN
 CIVIL ENGINEERING
 State of Louisiana
 2/16/2018

STANDARD PLAN NO. 702-62	DATED July 21, 2010	SHEET NO. 1 OF 1
-----------------------------	------------------------	---------------------

**Paved Gutter Drain Details
with 5' Sidewalk**

ENGINEERING DIVISION DEPARTMENT OF PUBLIC WORKS CITY OF BATON ROUGE & PARISH OF EAST BATON ROUGE			
DESIGNED G. CHENG	DRAWN G. VANNICE	CHECKED G. CHENG	APPROVED T. STEPHENS

DATE	DESCRIPTION REVISIONS	BY