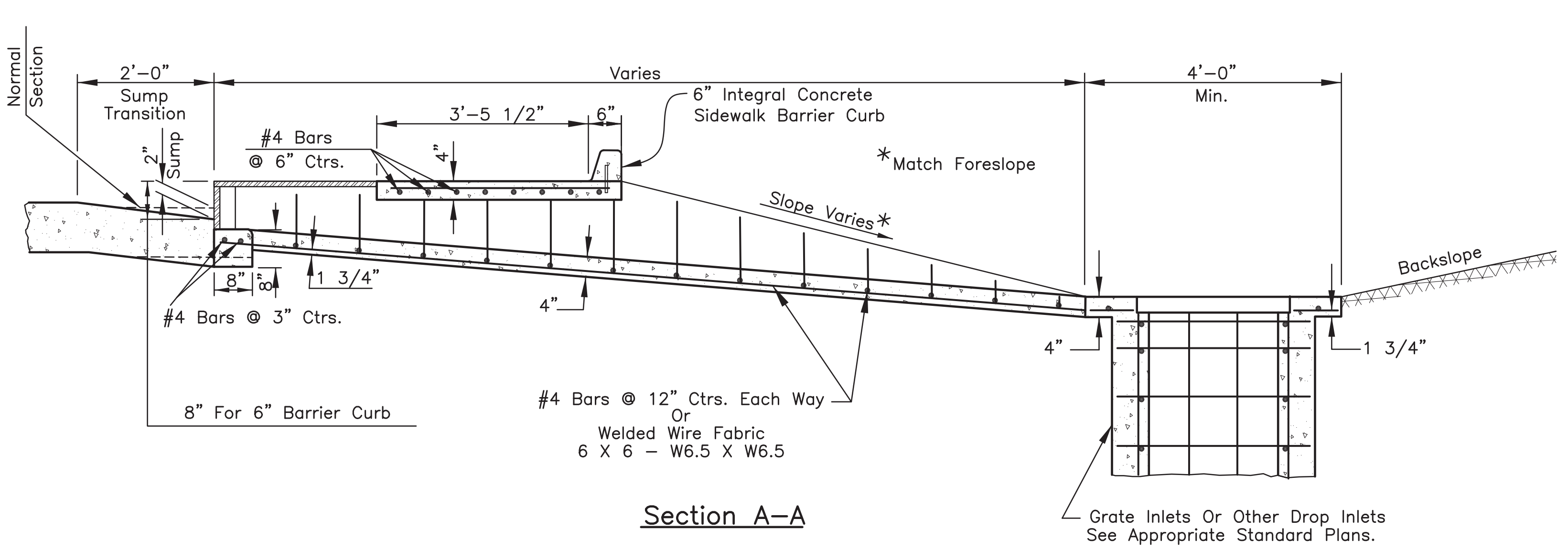
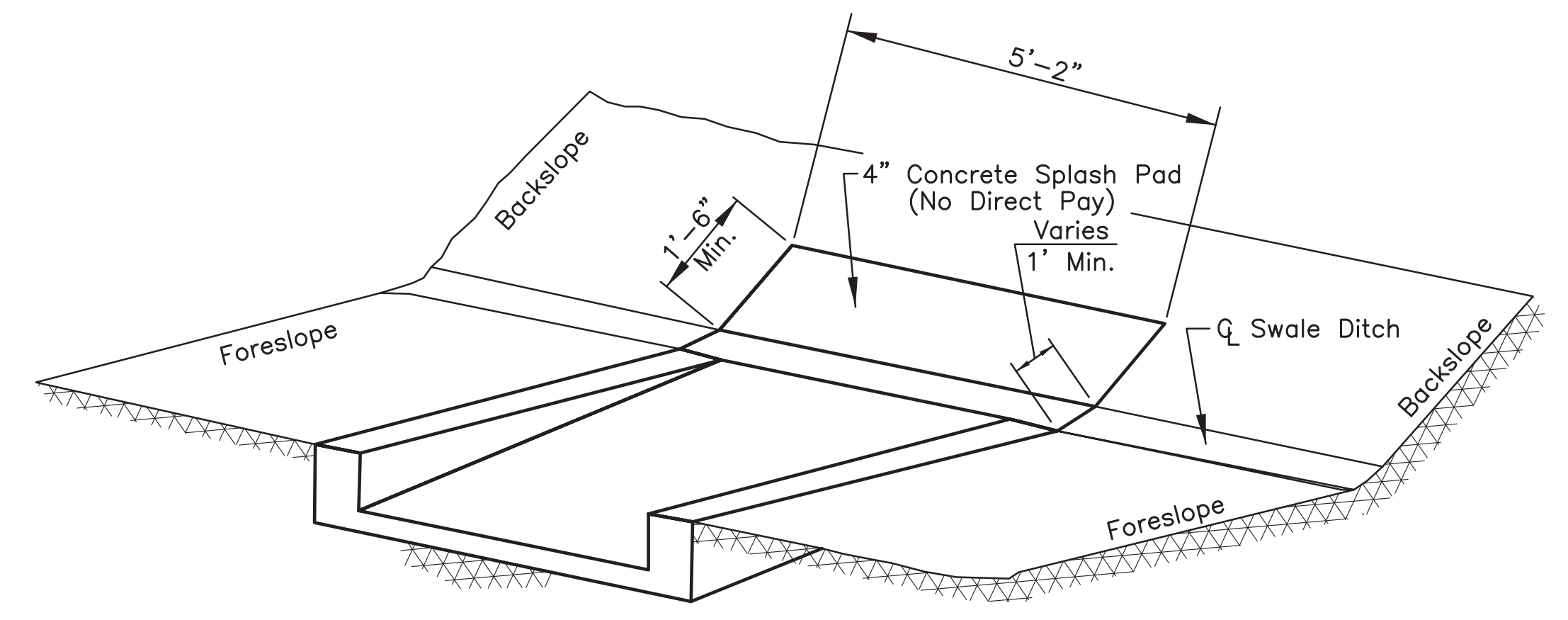
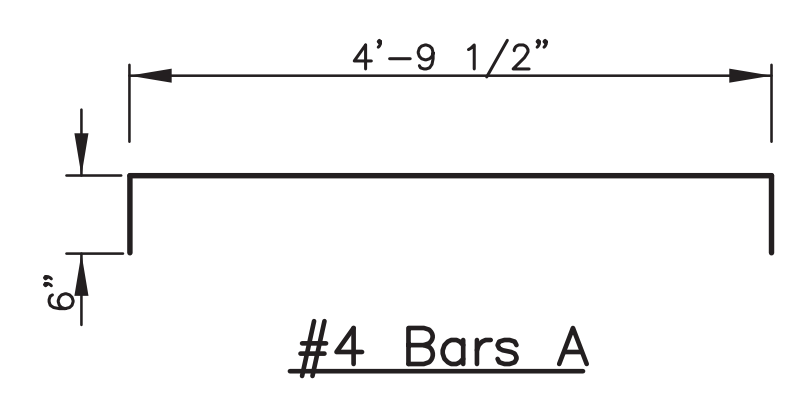
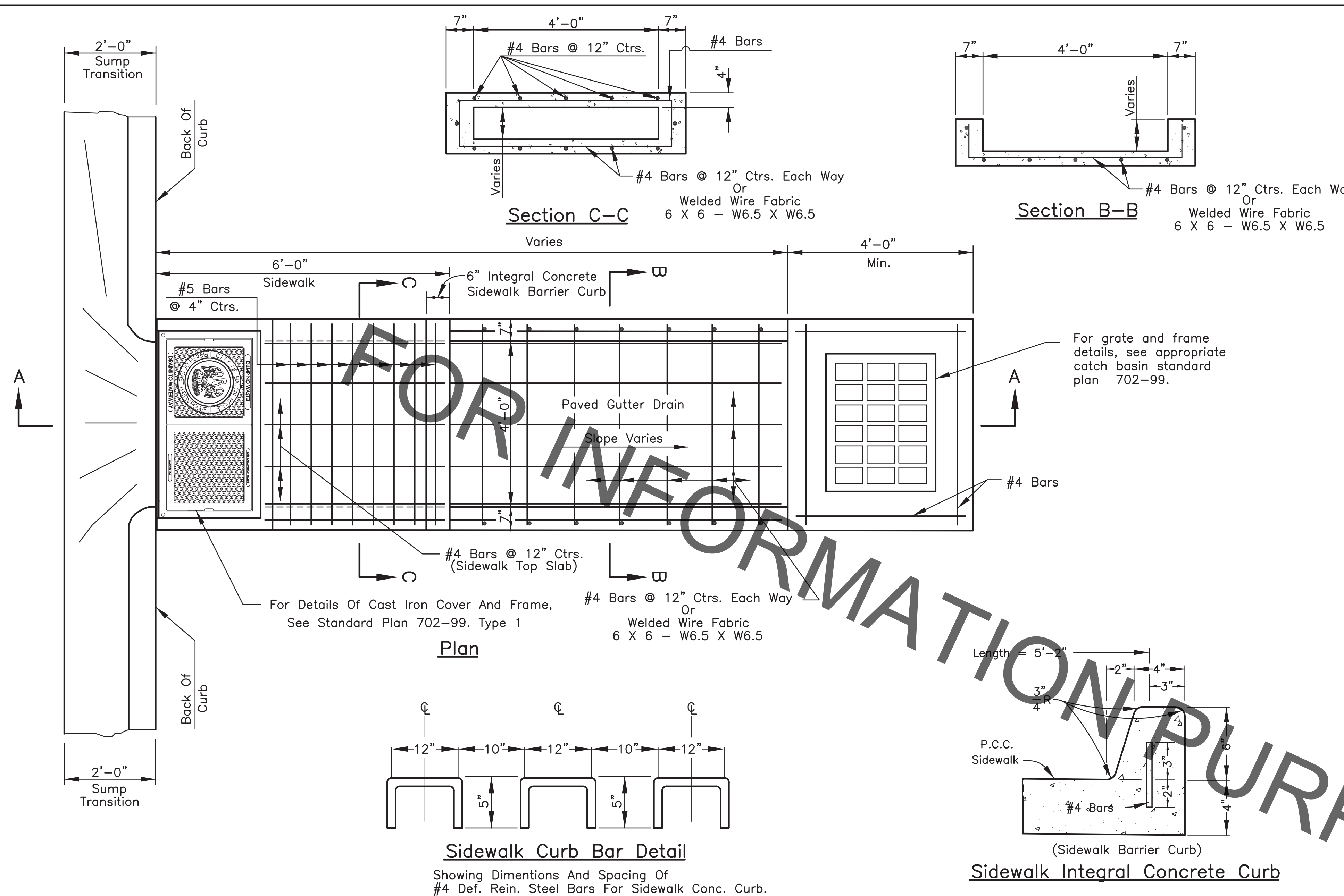


PROJECT NO.	SHEET



For grate and frame details, see appropriate catch basin standard plan 702-99.

**General Notes:**

1. Construction Specifications: Latest approved The Standard Specifications for Public Works Construction, City of Baton Rouge and Parish of East Baton Rouge, Louisiana.
2. All exposed Corners to have 3/4" chamfer unless otherwise noted.
3. Dimensions relating to reinforcing steel are to bar centers.
4. Reinforcing steel shall have 2" cover unless otherwise specified.
5. If precast catch basin is used, please refer to standard plan 702-97 for details and specifications.
6. See standard plan 702-99 for frame and cover details.
7. Concrete shall not be placed above bottom of pavement until paving adjacent to inlet has been completed.
8. See standard plan 702-98 for for curb transition details.

Professional Engineer Seal for Thomas A. Stephens, License No. 18417, State of Louisiana, dated 2/16/2012.

STANDARD PLAN NO. 702-61	DATED July 21, 2010	SHEET NO. 1 OF 1
-----------------------------	------------------------	---------------------

<b>Paved Gutter Drain Details with 6' Sidewalk</b>			
ENGINEERING DIVISION DEPARTMENT OF PUBLIC WORKS CITY OF BATON ROUGE & PARISH OF EAST BATON ROUGE			
DESIGNED G. CHENG	DRAWN G. VANNICE	CHECKED G. CHENG	APPROVED T. STEPHENS

DATE	DESCRIPTION	BY