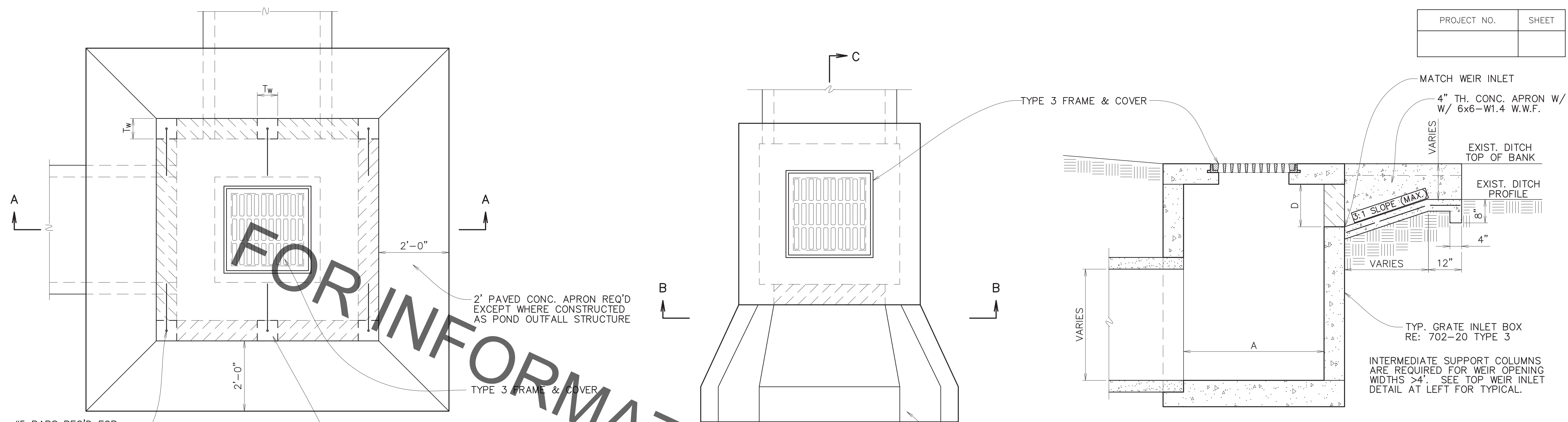


PROJECT NO.	SHEET



TOP VIEW  
TOP WEIR INLET  
SCALE: 1"=1'-0"

TOP VIEW  
SIDE WEIR INLET  
SCALE: 1"=1'-0"

SECTION C-C  
SIDE WEIR INLET  
SCALE: 1"=1'-0"

#5 BARS REQ'D FOR SUPPORT COLUMN REINFORCEMENT

2' PAVED CONC. APRON REQ'D EXCEPT WHERE CONSTRUCTED AS POND OUTFALL STRUCTURE

TYPE 3 FRAME & COVER

TYPE 3 FRAME & COVER

MATCH WEIR INLET  
4" TH. CONC. APRON W/  
W/ 6x6-W1.4 W.W.F.

EXIST. DITCH TOP OF BANK  
EXIST. DITCH PROFILE

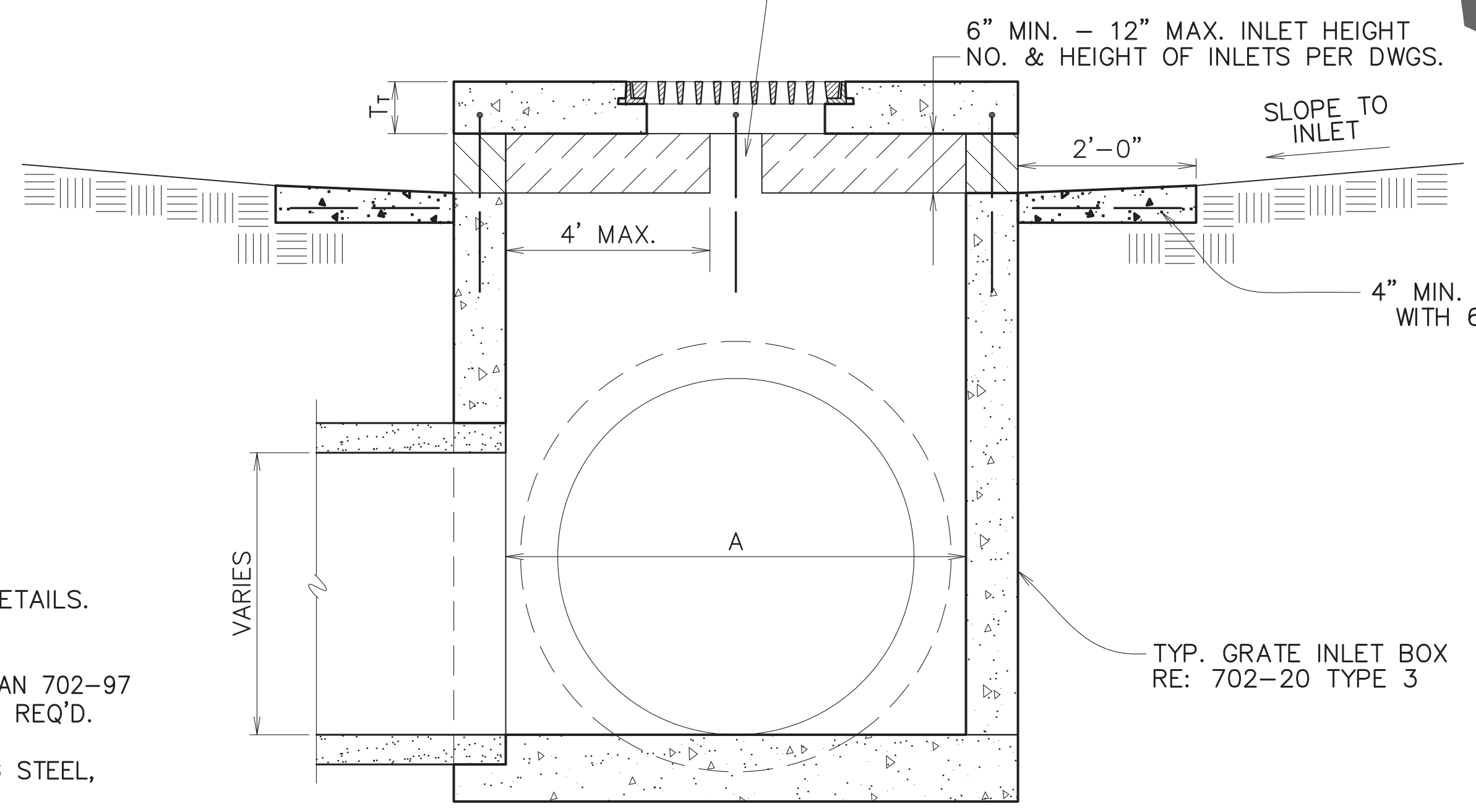
TYP. GRATE INLET BOX  
RE: 702-20 TYPE 3  
INTERMEDIATE SUPPORT COLUMNS ARE REQUIRED FOR WEIR OPENING WIDTHS >4'. SEE TOP WEIR INLET DETAIL AT LEFT FOR TYPICAL.

INTERMEDIATE SUPPORT COLUMNS ARE REQUIRED FOR TOP SUPPORT WHEN WEIR OPENING WIDTHS >4'

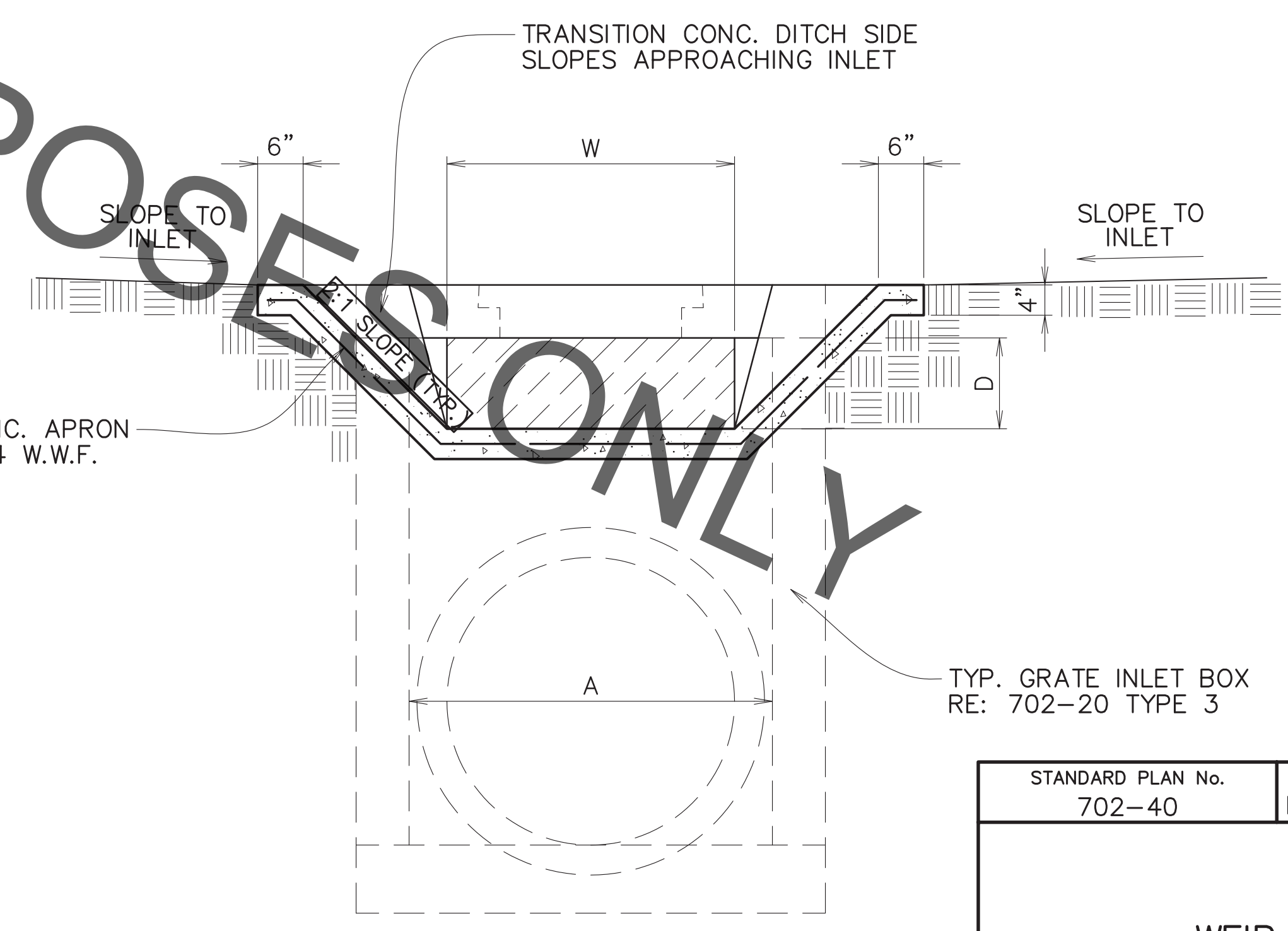
TYP. PAVED CONC. DITCH WEIR INLET TRANSITION

DIMENSIONS	
D	8" OPENING FOR YARD DITCH 12" OPENING FOR SWALE DITCH
A	SEE STD PLAN 702-20
W	NOMINAL PIPE SIZE (I.D.)

- NOTE:
- SEE STANDARD PLAN 702-99 FOR FRAME AND COVER DETAILS. FRAME AND COVER REQUIRED.
  - PRECAST CONCRETE STRUCTURES CONFORMING TO STANDARD PLAN 702-97 MAY BE FURNISHED. CAST-IN-PLACE CONC. DITCH PAVING REQ'D.
  - SEE STANDARD PLAN 702-96 FOR THICKNESS, REINFORCING STEEL, AND OTHER STRUCTURAL DETAILS.



SECTION A-A  
TOP WEIR INLET  
SCALE: 1"=1'-0"



SECTION B-B  
SIDE WEIR INLET  
SCALE: 1"=1'-0"

STATE OF LOUISIANA  
THOMAS S. STEPHENS  
License No. 18217  
PROFESSIONAL ENGINEER  
IN  
CIVIL ENGINEERING  
2/16/2013

STANDARD PLAN No. 702-40	DATED DEC. 6, 2010	SHT. No. 1 OF 1
-----------------------------	-----------------------	--------------------

WEIR INLET

ENGINEERING DIVISION DEPARTMENT OF PUBLIC WORKS CITY OF BATON ROUGE & PARISH OF EAST BATON ROUGE			
DESIGNED GLP	DRAWN GLP	CHECKED GLP	APPROVED T. STEPHENS

DATE	DESCRIPTION	BY
	REVISION	