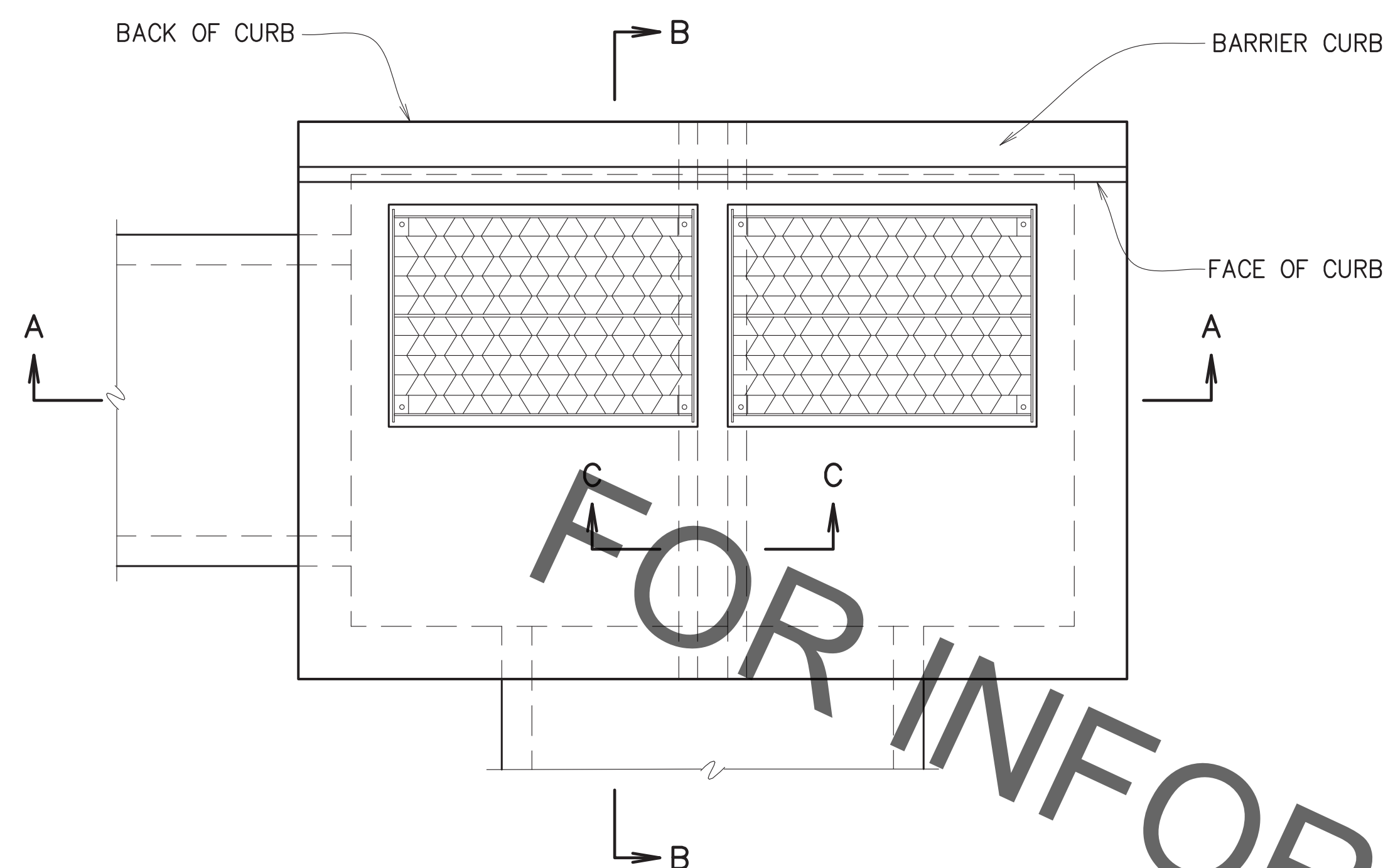
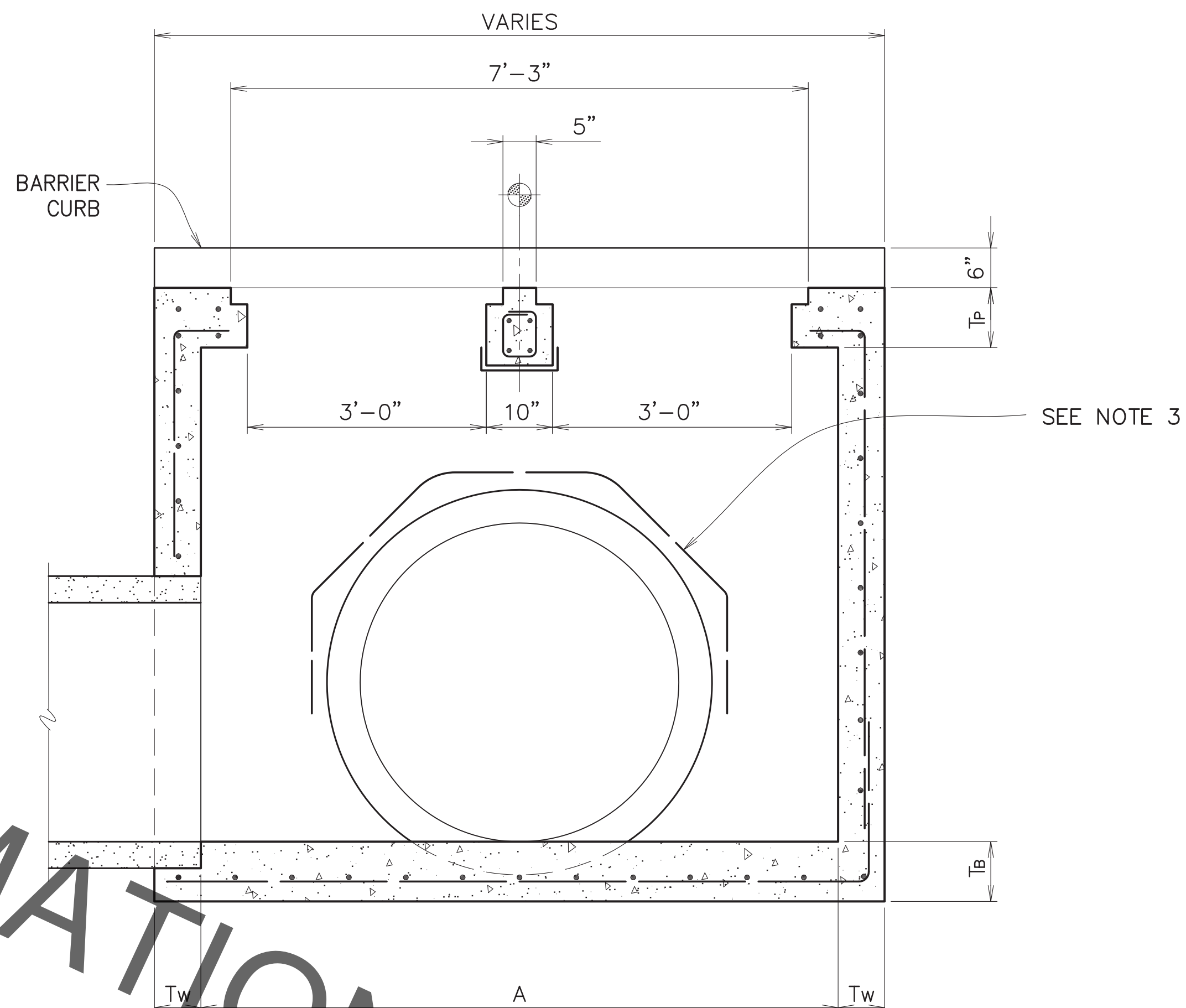


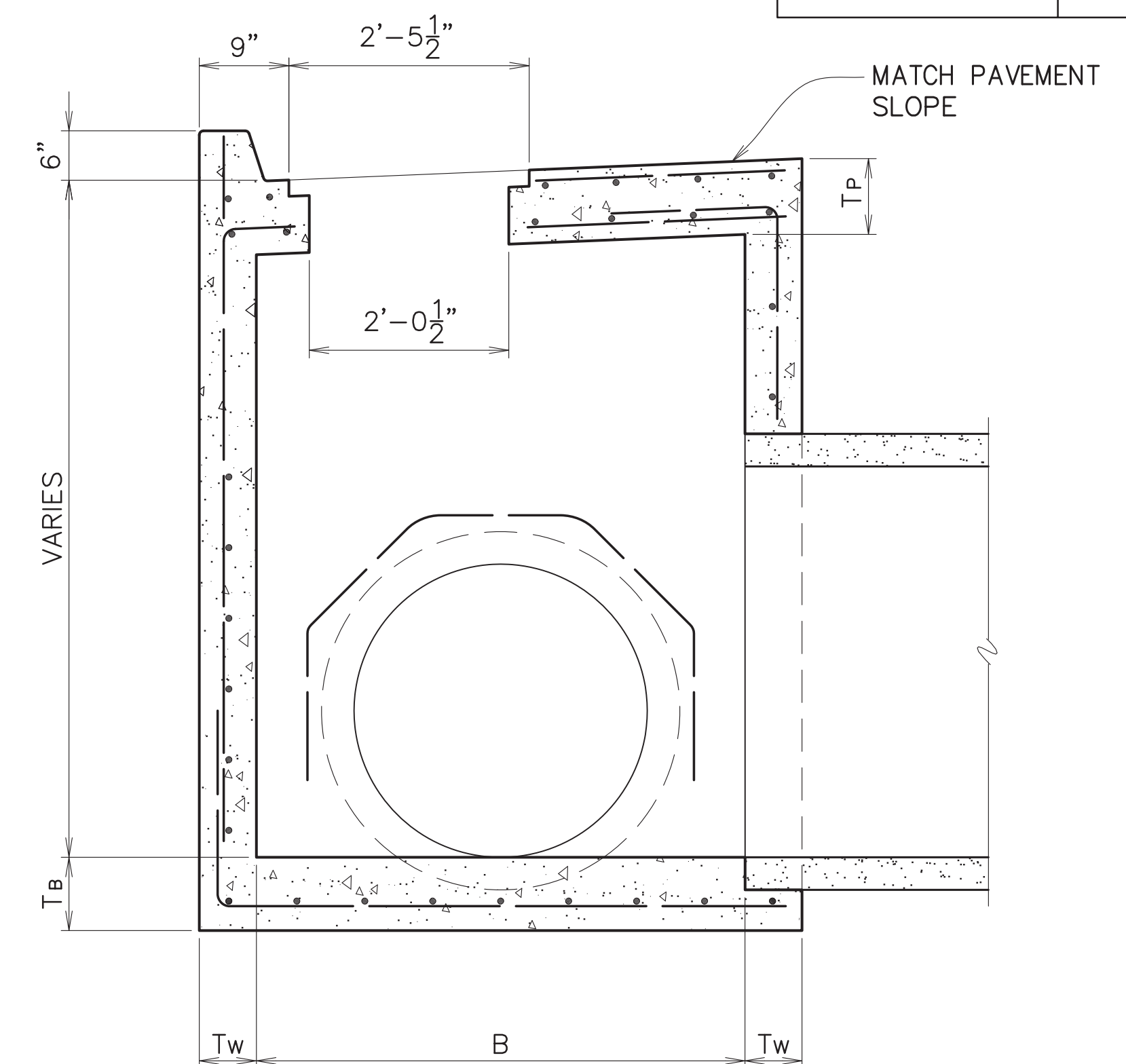
PROJECT NO.	SHEET



TOP VIEW
BARRIER CURB SHOWN
SCALE: 3/4"=1'-0"



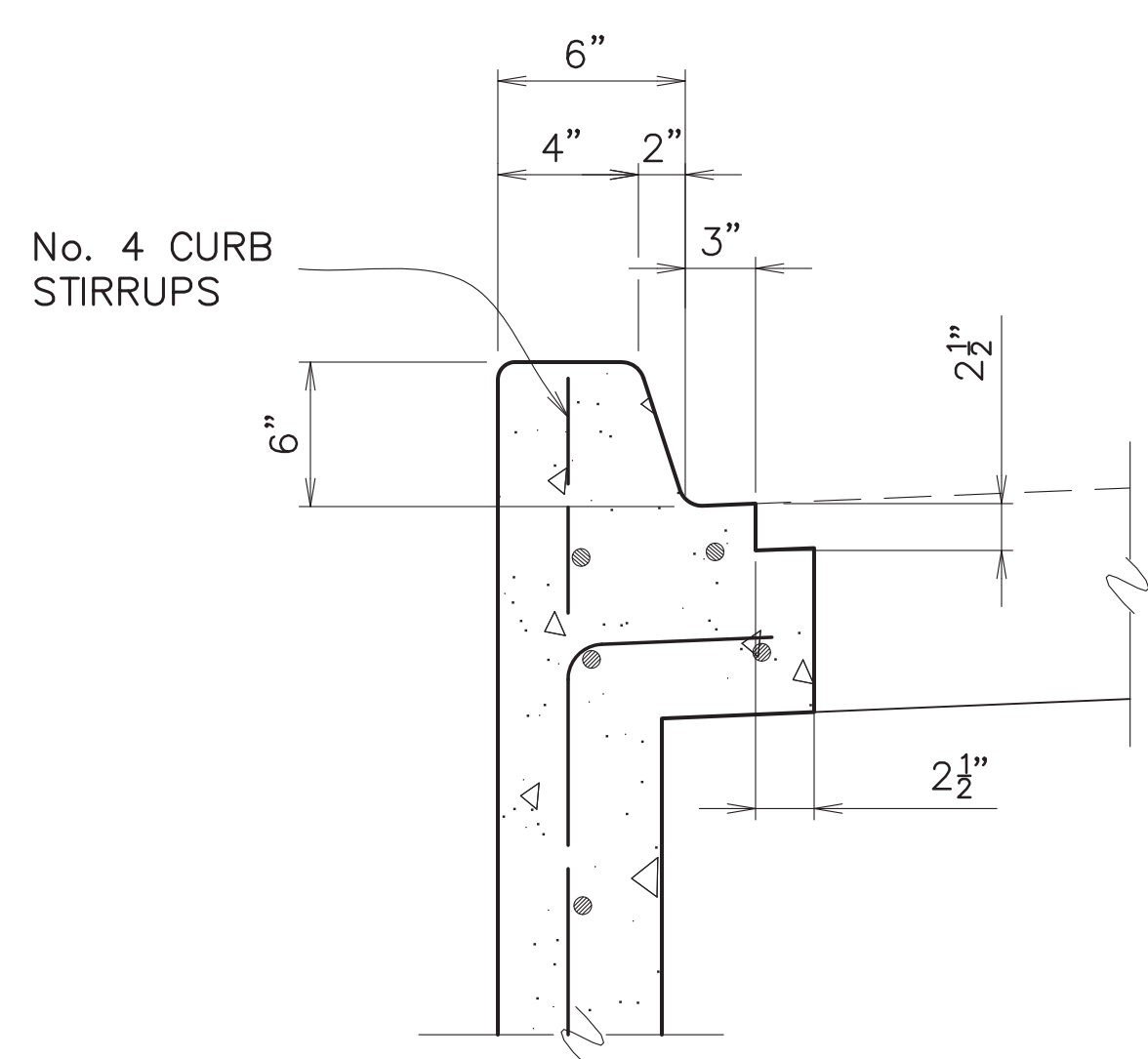
SECTION A-A
BARRIER CURB SHOWN
SCALE: 3/4"=1'-0"



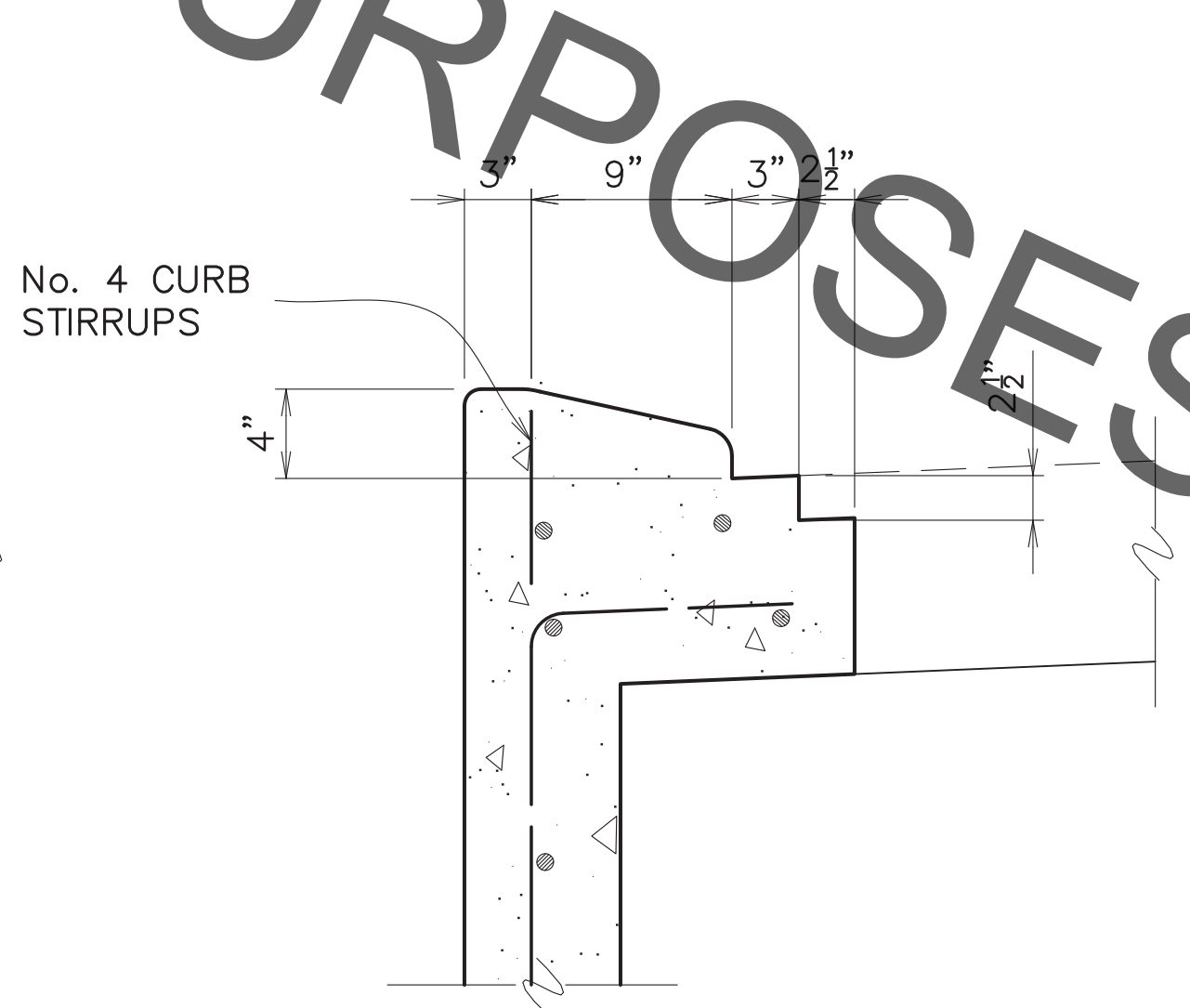
SECTION B-B
BARRIER CURB SHOWN
SCALE: 3/4"=1'-0"

PIPE SIZE		DIMENSION		
ROUND PIPE	ARCH PIPE (ROUND EQUIV.)	A	MOUNTABLE CURB B	BARRIER CURB B
15"	-	6'-10"	2'-11"	2'-5"
18"	15"	6'-10"	2'-11"	2'-5"
24"	18"	6'-10"	2'-11"	2'-10"
30"	24"	6'-10"	3'-5"	3'-5"
36"	30"	6'-10"	4'-0"	4'-0"
42"	36"	6'-10"	4'-8"	4'-8"
48"	-	6'-10"	5'-2"	5'-2"
54"	42"	6'-10"	5'-9"	5'-9"
60"	48"	6'-10"	6'-4"	6'-4"
-	54"	6'-10"	6'-8"	6'-8"
72"	60"	7'-6"	7'-6"	7'-6"
84"	72"	8'-10"	8'-10"	8'-10"

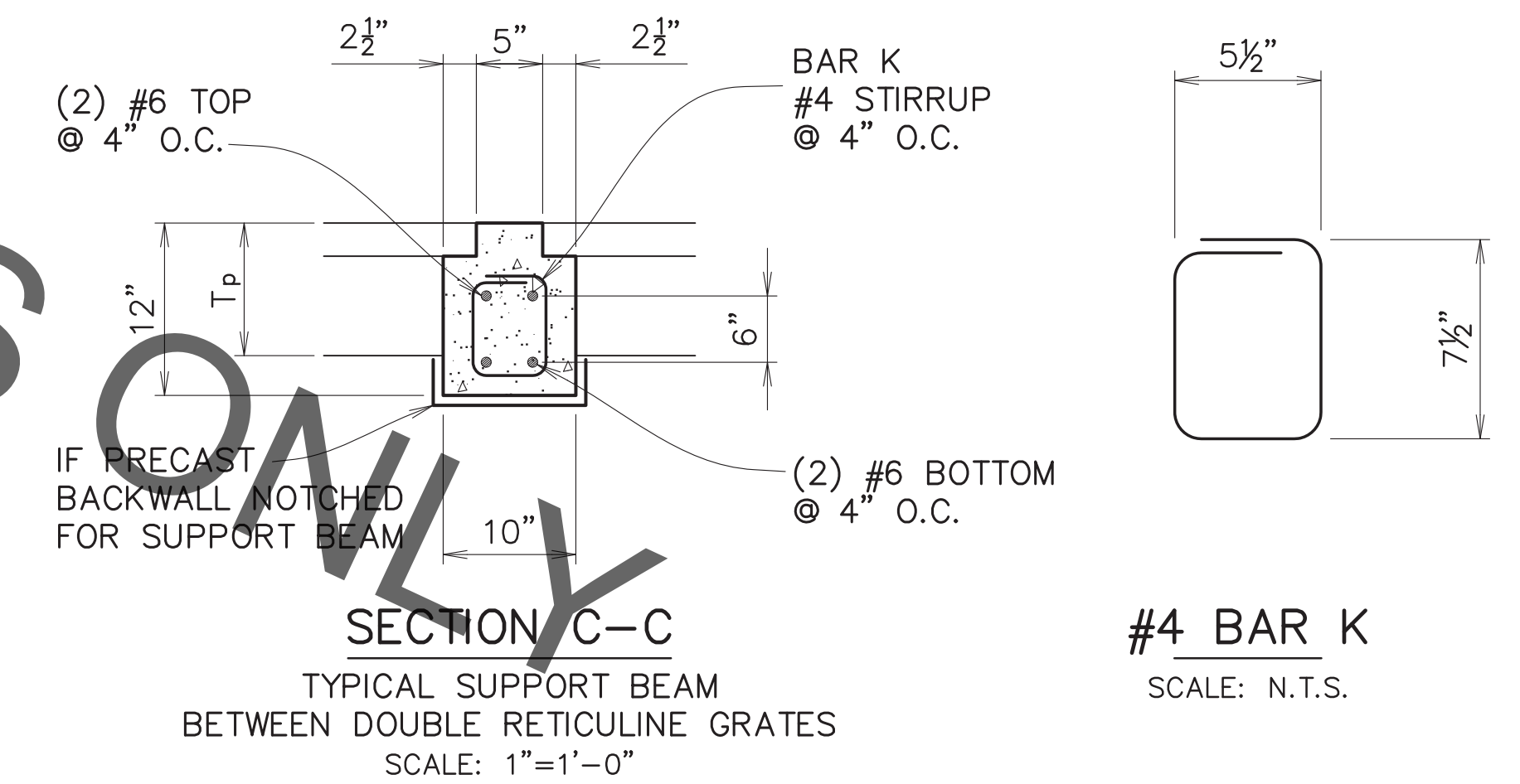
- NOTE:
- SEE STANDARD PLAN 702-99 FOR FRAME AND COVER DETAILS. TYPE 2 FRAME AND COVER REQUIRED.
 - PRECAST CONCRETE INLETS CONFORMING TO STANDARD PLAN 702-97 MAY BE FURNISHED.
 - DIAGONAL REINFORCEMENT REQUIRED FOR PIPE LARGER THAN 36". BARS SHALL LAP TO A FULL LENGTH VERTICAL BAR W/18d LAP LENGTH.
 - A & B DIMENSIONS MAY BE VARIED FOR SKEWED PIPE.
 - SEE STANDARD PLAN 702-96 FOR THICKNESS, REINFORCING STEEL, AND OTHER STRUCTURAL DETAILS.
 - SEE STANDARD PLAN 702-98 FOR CURB TRANSITION DETAILS.
- ⊕ PLAN STATION CALL-OUT



BARRIER CURB
CURB DETAIL
SCALE: 1-1/2"=1'-0"



MOUNTABLE CURB
CURB DETAIL
SCALE: 1-1/2"=1'-0"



SECTION C-C
TYPICAL SUPPORT BEAM
BETWEEN DOUBLE RETICULINE GRATES
SCALE: 1"=1'-0"

#4 BAR K
SCALE: N.T.S.

STATE OF LOUISIANA
THOMAS A. STEPHENS
License No. 19417
PROFESSIONAL ENGINEER
IN
CIVIL ENGINEERING
2/16/2018

STANDARD PLAN No. 702-11	DATED DEC. 6, 2010	SHT. No. 1 OF 1
-----------------------------	-----------------------	--------------------

DOUBLE RETICULINE
STREET GRATE INLET
(MOUNTABLE & BARRIER CURB)

ENGINEERING DIVISION DEPARTMENT OF PUBLIC WORKS CITY OF BATON ROUGE & PARISH OF EAST BATON ROUGE			
DESIGNED GLP	DRAWN GLP	CHECKED GLP	APPROVED T. STEPHENS

DATE	DESCRIPTION	BY
	REVISION	