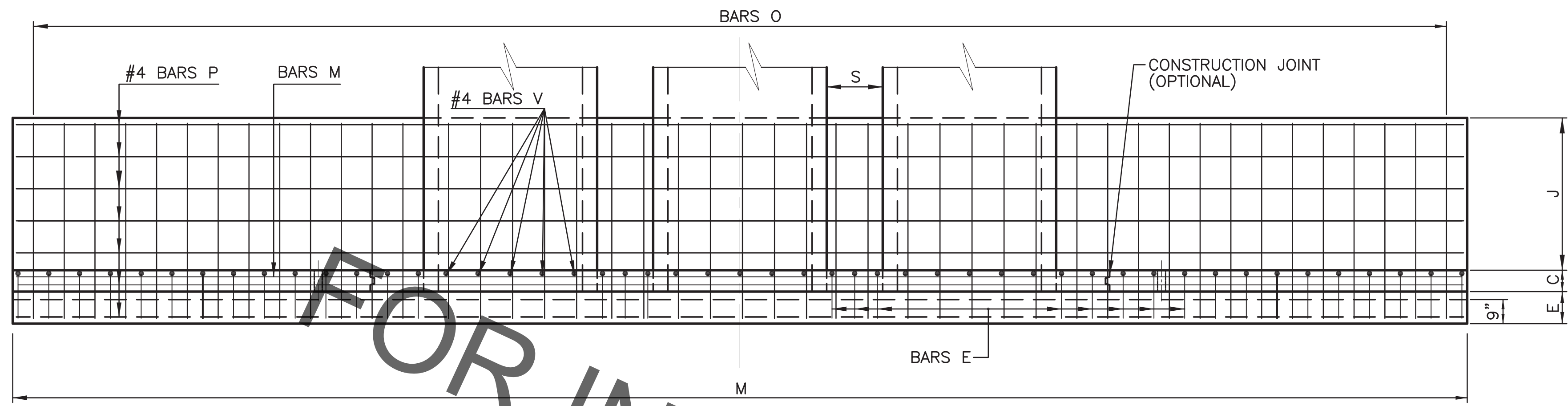
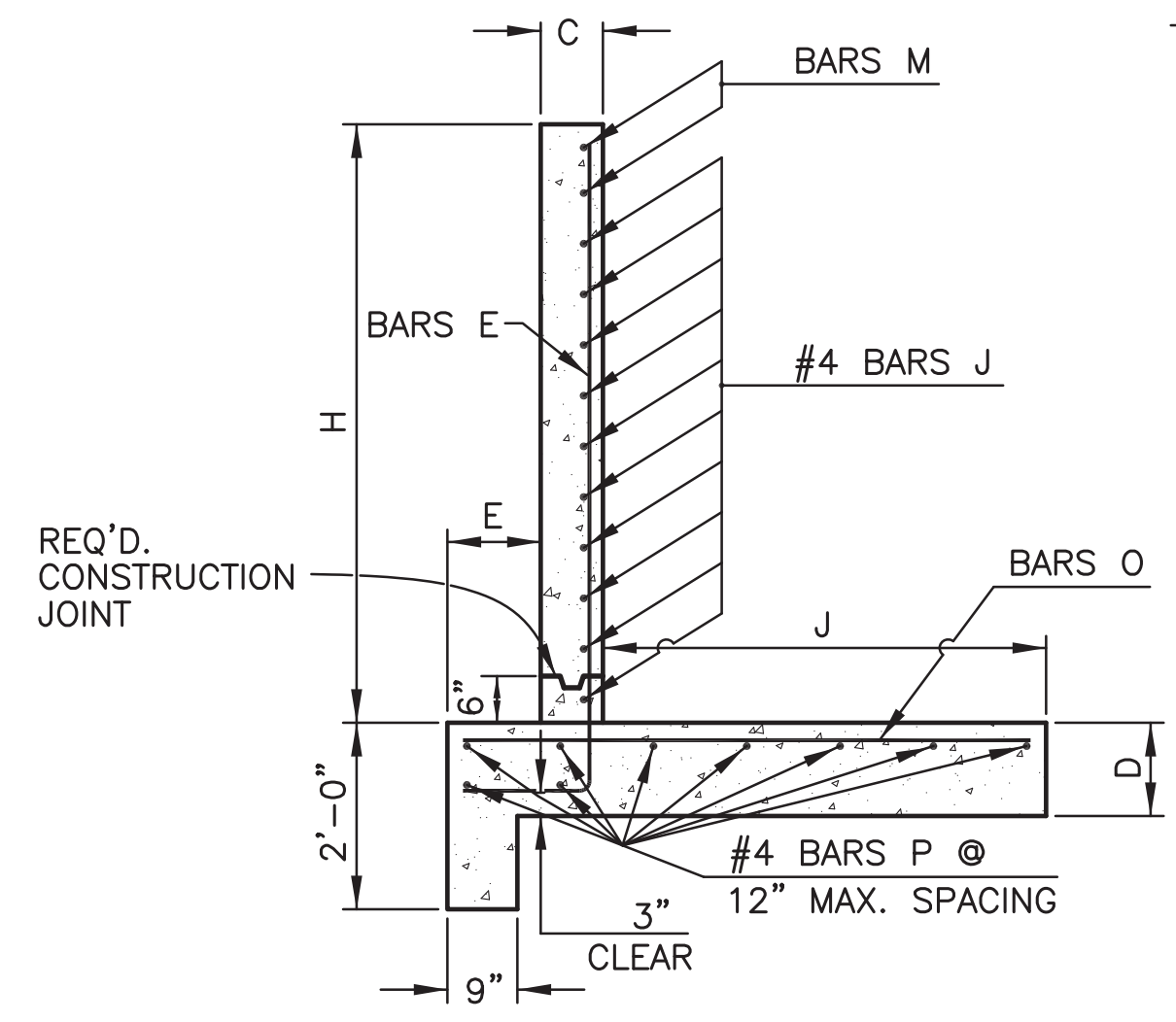


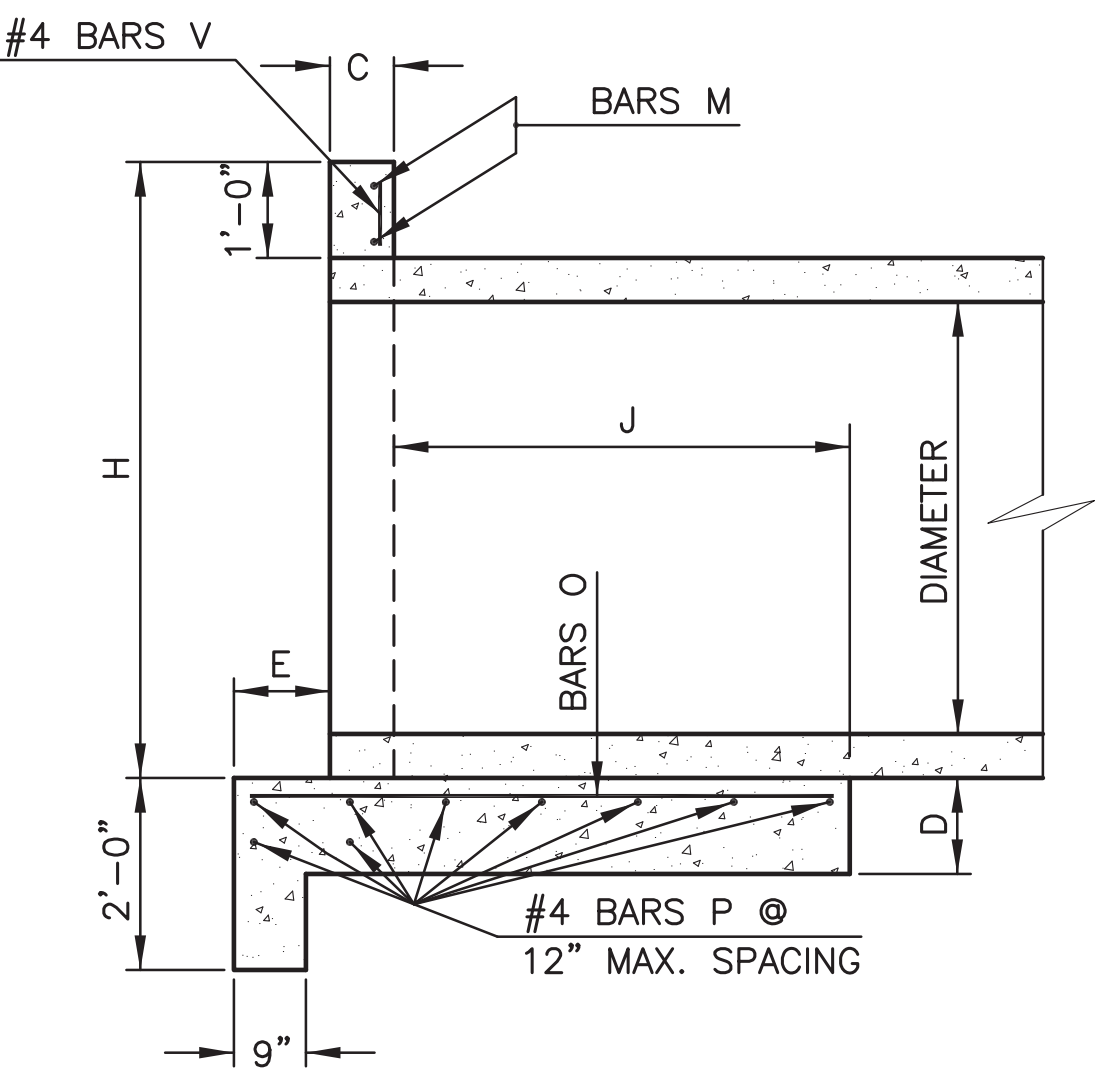
PROJECT NO.	SHEET



PLAN
SCALE: 3/8"=1'-0"



SECTION A-A
SCALE: 1/2"=1'-0"

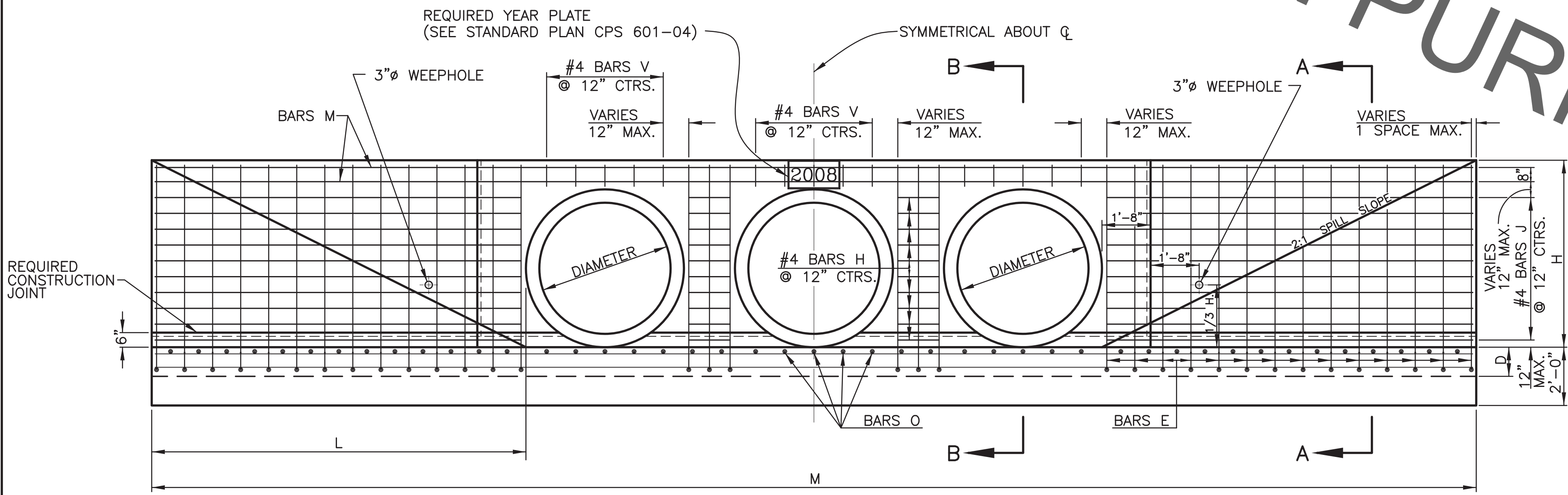


SECTION B-B
SCALE: 1/2"=1'-0"

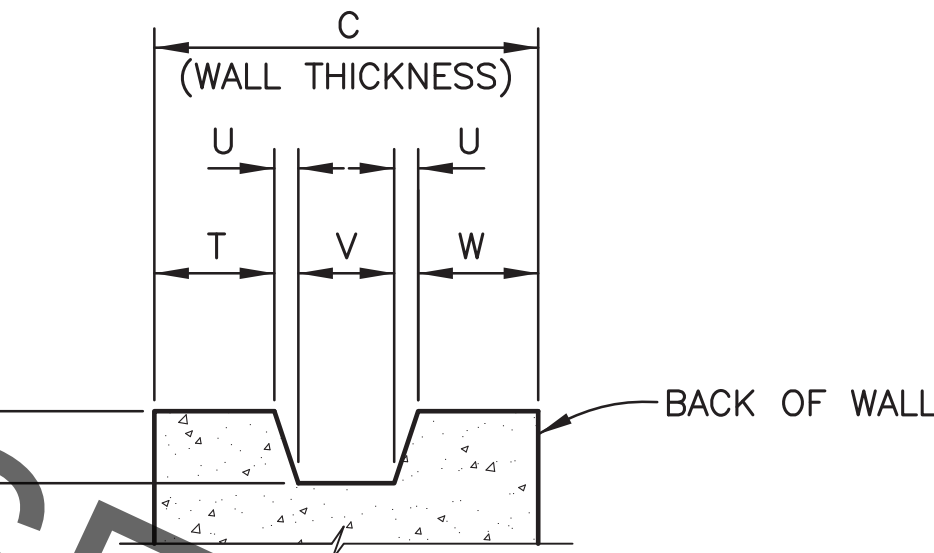
BARS E
SCALE: 1/2"=1'-0"

FOR INFORMATION PURPOSES ONLY

C (WALL THICKNESS)	DIMENSIONS			
	T	U	V	W
6"	1 1/2"	1/4"	1 1/2"	2 1/2"
8"	2 1/2"	1/2"	2"	2 1/2"
10"	3"	1/2"	3"	3"



ELEVATION
SCALE: 3/8"=1'-0"



CONSTRUCTION JOINT
DETAILS
SCALE: 3"=1'-0"

NOTES:

1. CONCRETE SHALL BE CLASS 6A4000.
2. REINFORCING STEEL SHALL BE GRADE 60. BAR SPACING DIMENSIONS ARE TO BAR CENTERS. STEEL FOR LAP SPLICES NOT SHOWN WILL NOT BE MEASURED FOR PAYMENT. STEEL SHALL HAVE 2" COVER, UNLESS OTHERWISE SHOWN.
3. A 1'-6" SQUARE OF GEOTEXTILE FABRIC CONFORMING TO SUBSECTION 1022-8 OF THE STANDARD SPECIFICATIONS SHALL BE PLACED IN CONTACT WITH CONCRETE BEHIND EACH WEEPHOLE IN ADDITION TO 2 CU. FT. OF CONCRETE SAND.
4. IMMEDIATELY BEFORE NEW CONCRETE IS PLACED, CONSTRUCTION JOINT SURFACES SHALL BE SATURATED WITH WATER.

THOMAS A. STEPHENS
LICENSED PROFESSIONAL ENGINEER
IN
LOUISIANA
2/16/2018

STANDARD PLAN NO. 601-16	DATED FEBRUARY 18, 2008	SHEET NO. 1 OF 2
-----------------------------	----------------------------	---------------------

STRAIGHT HEADWALL
SINGLE AND MULTIPLE 15" THRU 72" R.C.P.
90° CROSSING - 2:1 SPILL SLOPE

ENGINEERING DIVISION DEPARTMENT OF PUBLIC WORKS CITY OF BATON ROUGE & PARISH OF EAST BATON ROUGE			
DESIGNED R. ELLIS	DRAWN G. VANNICE	CHECKED R. ELLIS	APPROVED T. STEPHENS

DATE	DESCRIPTION	BY
	REVISIONS	