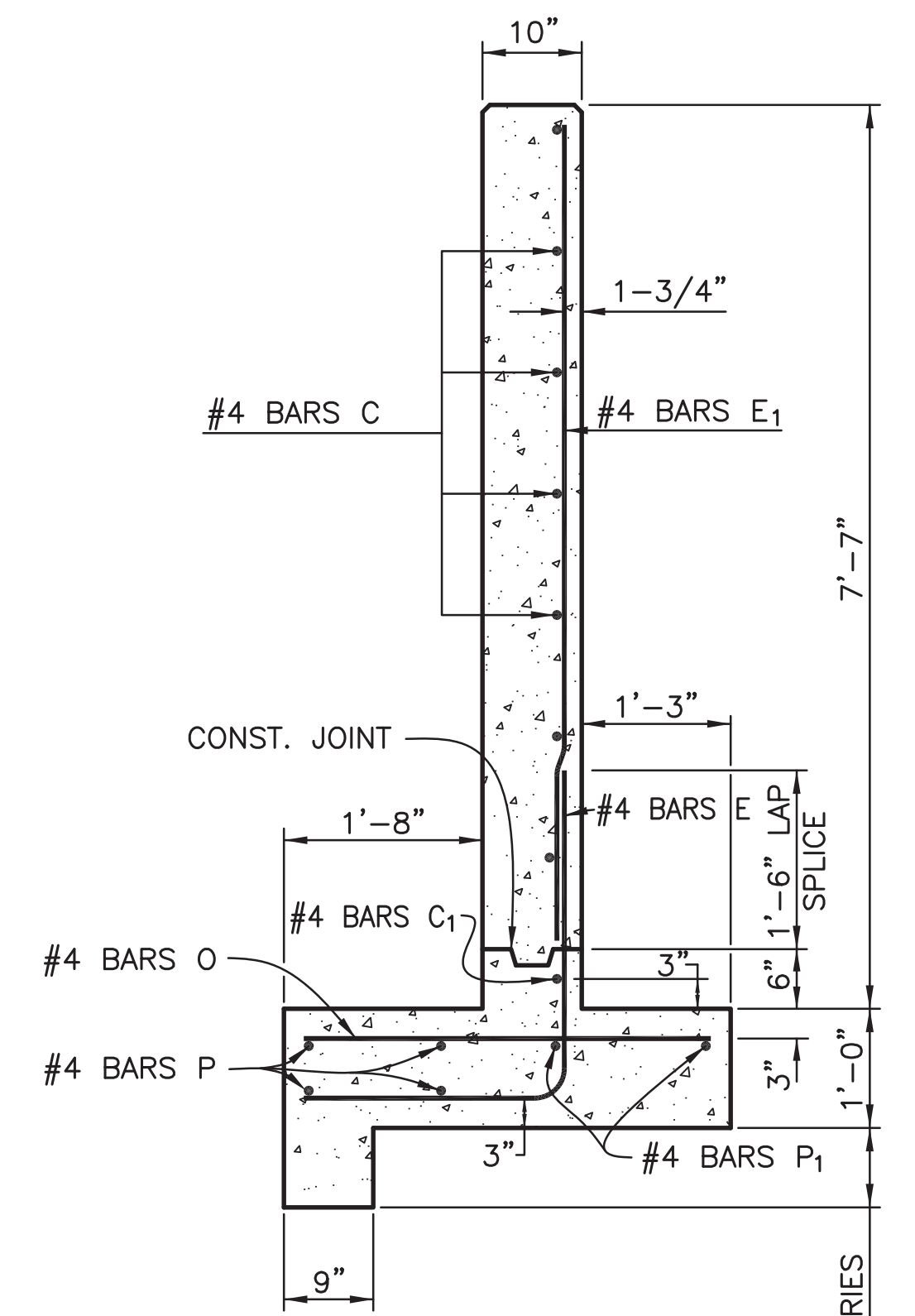


PLAN
SCALE: 3/8"=1'-0"

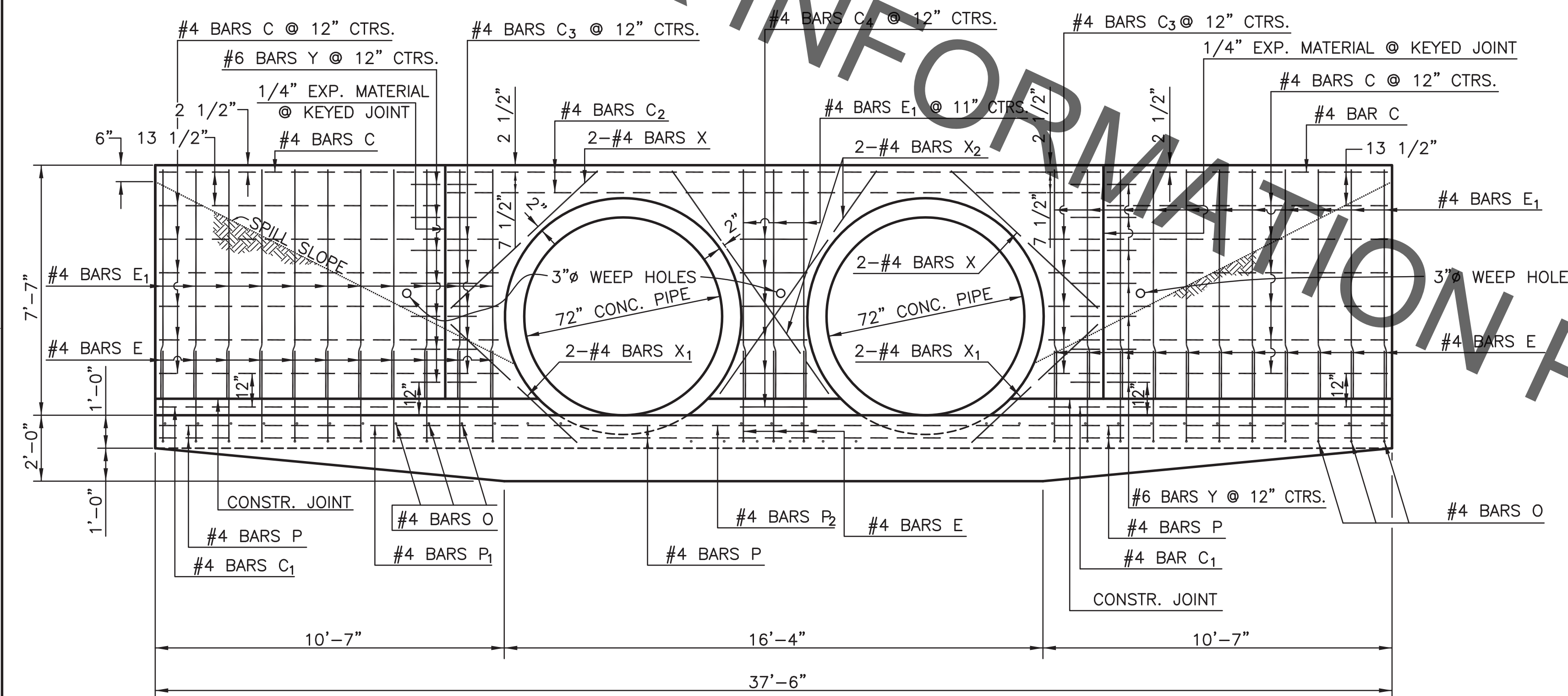


SECTION A-A
SCALE: 3/4"=1'-0"

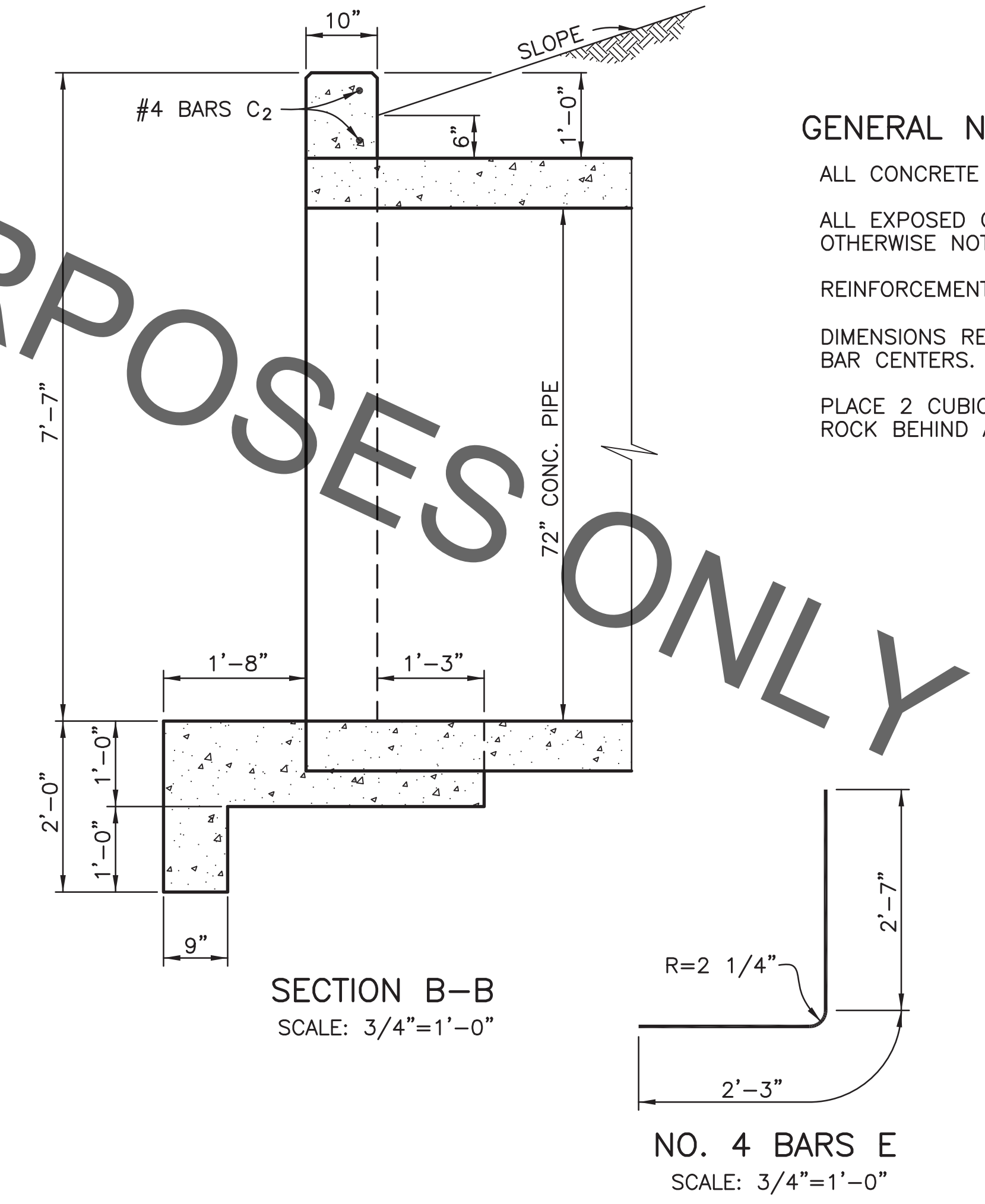
MARK	SIZE	NO.	SHORT BAR	VARI-ATION	LONG BAR	TOTAL LENGTH	LOCATION
C	No.4	14			8'-5"	117'-10"	HORIZ. IN WALL
C ₁	No.4	2			11'-6"	23'-0"	HORIZ. IN WALL
C ₂	No.4	2			19'-5"	38'-10"	HORIZ. IN WALL
C ₃	No.4	10			1'-5"	14'-2"	HORIZ. IN WALL
C ₄	No.4	6			1'-10"	11'-0"	HORIZ. IN WALL
E	No.4	25			4'-10"	120'-10"	BENT-WALL AND FOOTING
E ₁	No.4	25			6'-11"	172'-11"	VERT. IN WALL
O	No.4	32			3'-4"	106'-8"	TRANSVERSE IN FOOTING
P	No.4	4			37'-1"	148'-4"	LONGITUD. IN FOOTING
P ₁	No.4	4			12'-3"	49'-0"	LONGITUD. IN FOOTING
P ₂	No.4	2			5'-6"	11'-0"	LONGITUD. IN FOOTING
X	No.4	4			6'-0"	24'-0"	ADJACENT TO PIPES
X ₁	No.4	4			5'-1"	20'-4"	ADJACENT TO PIPES
X ₂	No.4	4			8'-5"	33'-8"	ADJACENT TO PIPES
Y	No.6	14			2'-0"	28'-0"	DOWELS

TOTAL NO. 6 BARS = 28'-0" WT. = 42 LBS.
TOTAL NO. 4 BARS = 891'-7" WT. = 596 LBS.
TOTAL DEFORMED REINF. STEEL = 638 LBS.
CLASS "A" CONCRETE = 1210 CU. YDS.

Ⓐ 6 BARS Y TO BE 3/4" SMOOTH AND GREASED FOR 1'-0" OF LENGTH



END ELEVATION
SCALE: 3/8"=1'-0"



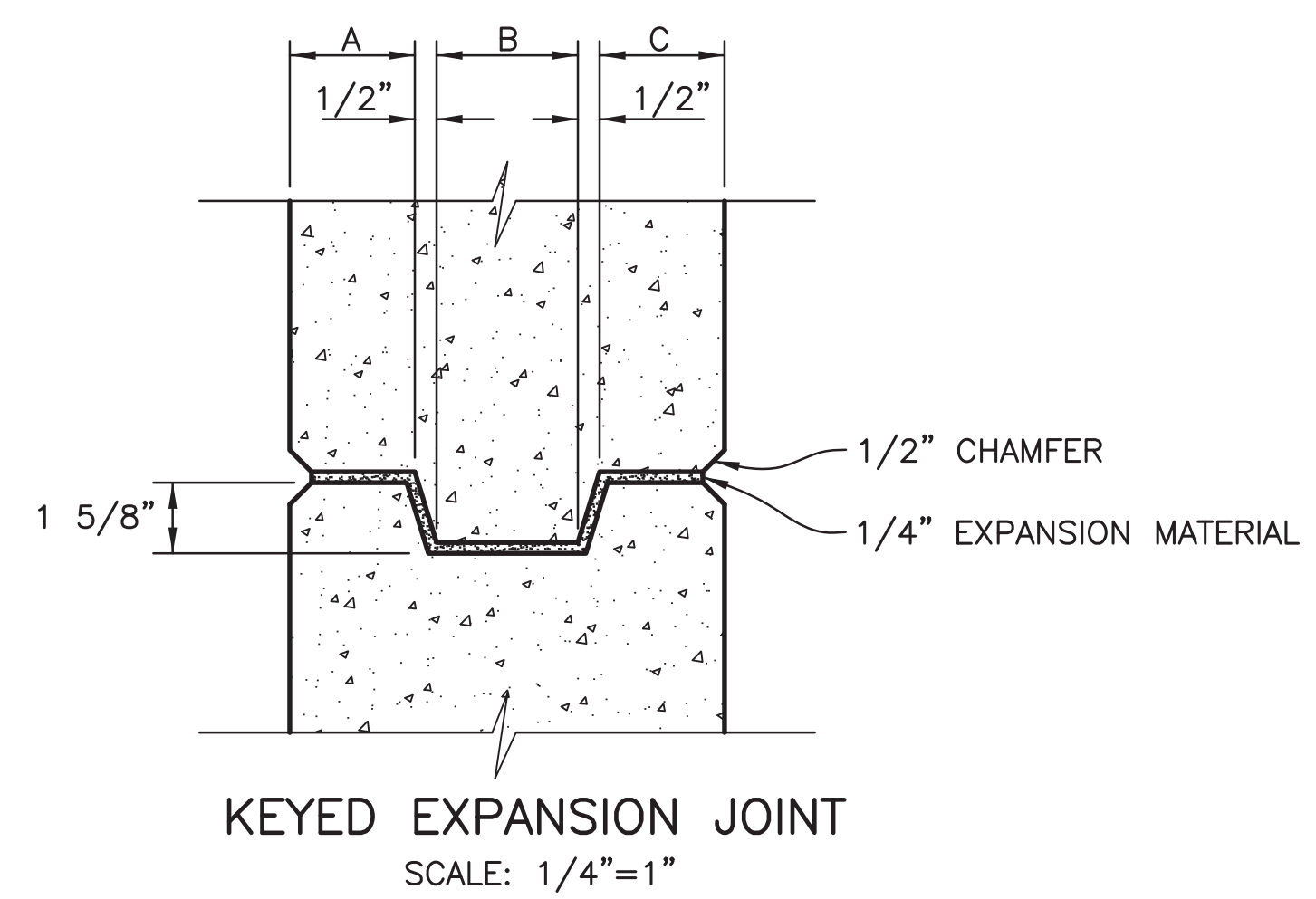
SECTION B-B
SCALE: 3/4"=1'-0"

NO. 4 BARS E
SCALE: 3/4"=1'-0"

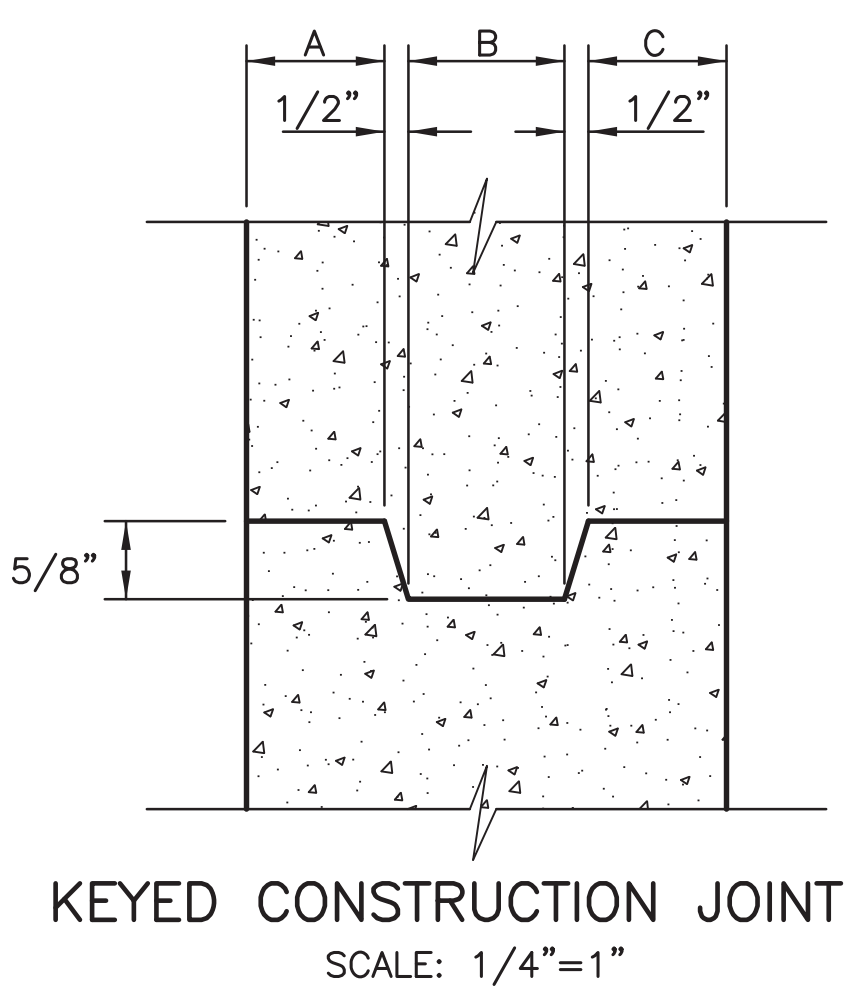
- GENERAL NOTES:
- ALL CONCRETE TO BE CLASS 6A4000.
 - ALL EXPOSED CORNERS TO HAVE 3/4" CHAMFER, UNLESS OTHERWISE NOTED.
 - REINFORCEMENT SHALL BE ASTM GRADE 60.
 - DIMENSIONS RELATING TO REINFORCING STEEL ARE TO BAR CENTERS.
 - PLACE 2 CUBIC FOOT OF LARGE SIZE GRAVEL OR LOOSE ROCK BEHIND AND AROUND EACH WEEP-HOLE.

KEYED JOINT DIMENSIONS

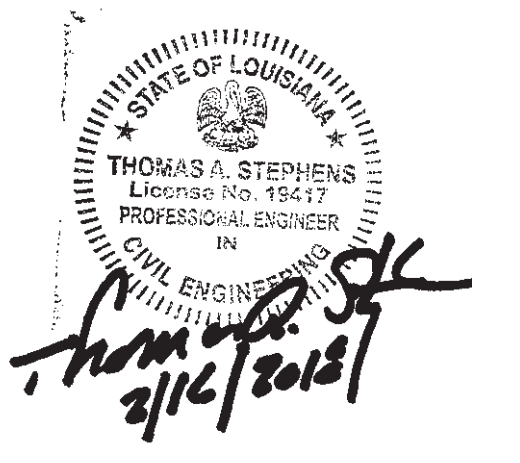
Wall or Slab	A	B	C
6"	1 1/2"	2"	1 1/2"
6 1/2"	1 5/8"	2 1/4"	1 5/8"
7"	1 3/4"	2 1/2"	1 3/4"
7 1/2"	2"	2 1/2"	2"
8"	2 1/8"	2 3/4"	2 1/8"
8 1/2"	2 3/8"	2 3/4"	2 3/8"
9"	2 1/2"	3"	2 1/2"
9 1/2"	2 3/4"	3"	2 3/4"
10"	2 7/8"	3 1/4"	2 7/8"
10 1/2"	3"	3 1/2"	3"
11"	3 1/8"	3 3/4"	3 1/8"
11 1/2"	3 1/4"	4"	3 1/4"
12"	3 1/2"	4"	3 1/2"



KEYED EXPANSION JOINT
SCALE: 1/4"=1"



KEYED CONSTRUCTION JOINT
SCALE: 1/4"=1"



STANDARD PLAN NO. 601-15	DATED FEBRUARY 19, 2008	SHEET NO. 1 OF 1
STRAIGHT HEADWALL FOR DOUBLE 72" CONCRETE PIPES 90° CROSSING		
ENGINEERING DIVISION DEPARTMENT OF PUBLIC WORKS CITY OF BATON ROUGE & PARISH OF EAST BATON ROUGE		
DESIGNED R. ELLIS	DRAWN G. VANNICE	CHECKED R. ELLIS
		APPROVED T. STEPHENS