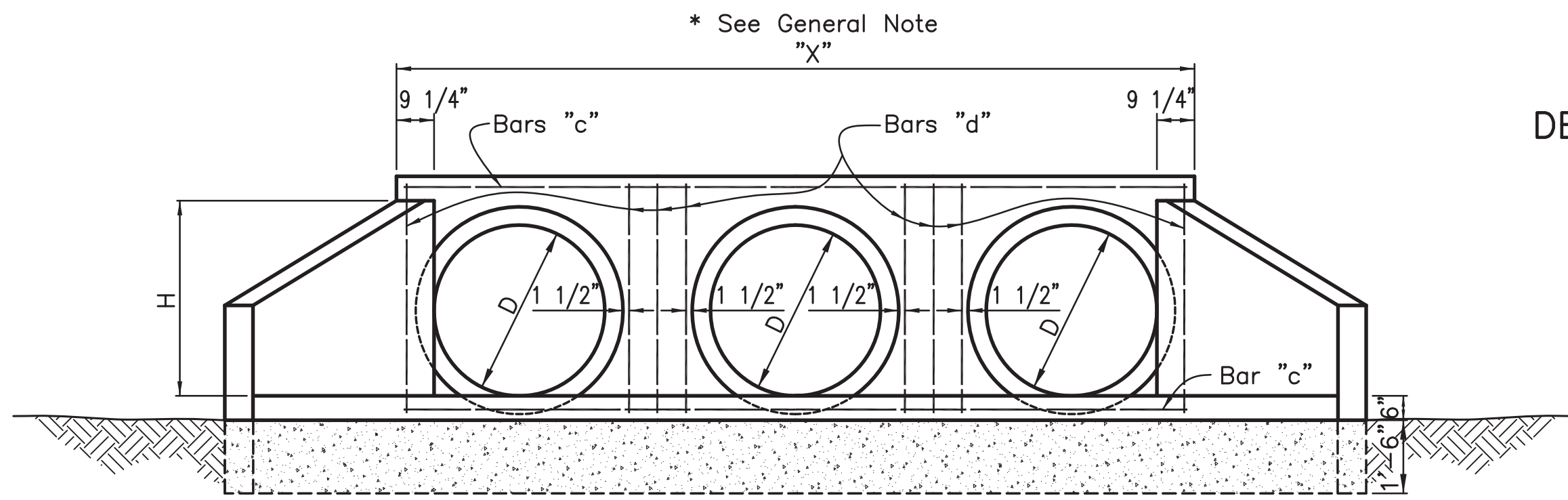


PROJECT NO.	SHEET



FRONT VIEW
Scale: 3/8"=1'-0"

TABLE OF DIMENSIONS

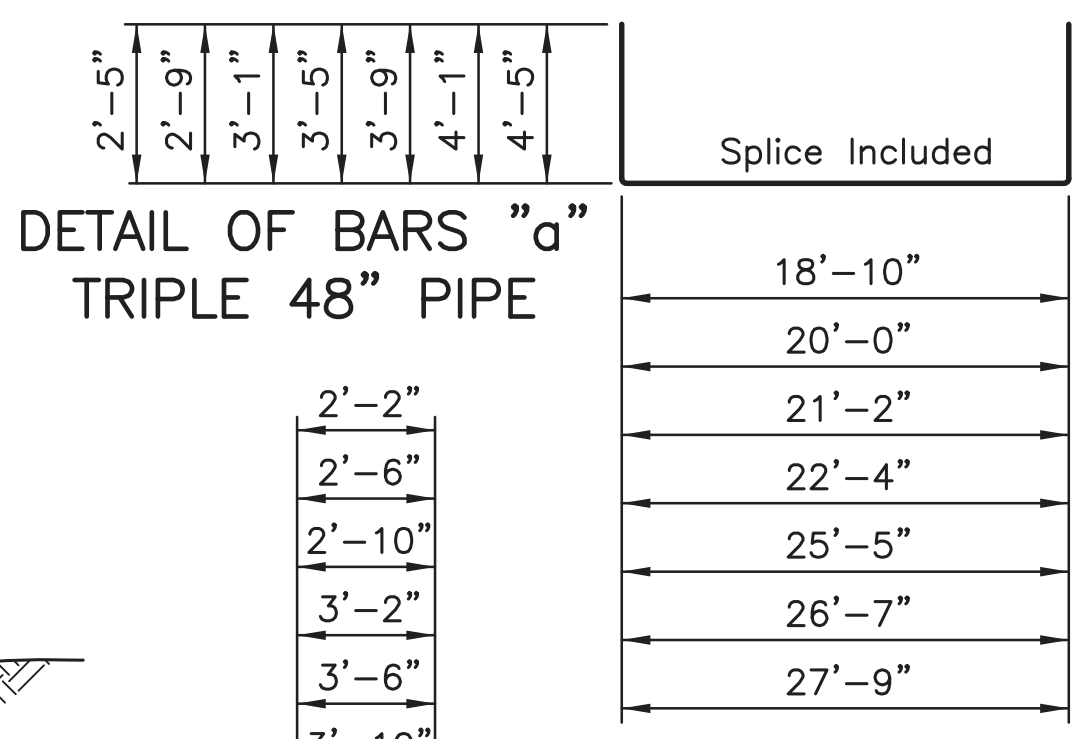
D	W	X	H	h	L	A
42"	22'-3"	16'-4 1/2"	4'-0"	1'-10 1/4"	6'-5 1/4"	7'-0 1/2"
48"	25'-2 1/4"	18'-4 1/2"	4'-6"	2'-1"	7'-2 3/4"	7'-11 3/4"
54"	28'-1 1/2"	20'-4 1/2"	5'-0"	2'-3 3/4"	8'-0 1/2"	8'-10 3/4"
60"	31'-0 1/2"	22'-4 1/2"	5'-6"	2'-6 3/4"	8'-10"	9'-10"



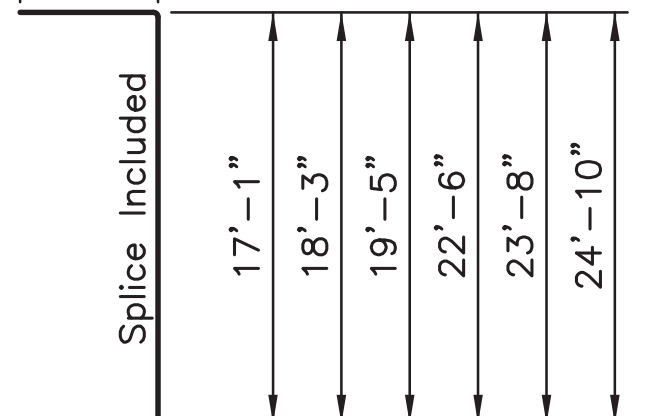
DETAIL OF BAR "d"
Scale: 3/8"=1'-0"

QUANTITIES FOR ONE HEADWALL

DIAM. OF PIPE	BARS "a"				BARS "b"		BARS "b1"				BARS "b1"				DEFORMED REINF. STEEL LBS.	CU. YDS. CONCRETE			
	NQ.	SHORT BAR	VARIATION	LONG BAR	NQ.	LENGTH	NQ.	SHORT BAR	VARIATION	LONG BAR	NQ.	SHORT BAR	VARIATION	LONG BAR		NQ.	LENGTH	WITHOUT TOE WALL	WITH TOE WALL
42"	6	24'-9"	See Detail	29'-2"	17	6'-9"	4	2'-9"	1'-9"	4'-4"	2	0'-0"	3'-0"	4'-4"	3	16'-0"	295	4.88	5.73
48"	7	27'-8"	"	32'-7"	19	7'-7"	6	1'-8"	1'-9"	5'-2"	4	3'-7"	3'-0"	6'-7"	2	9'-4"	370	6.02	6.98
54"	8	36'-0"	"	36'-0"	21	8'-4"	6	2'-5"	1'-9"	5'-11"	4	5'-2"	3'-0"	8'-2"	2	10'-2"	445	7.26	8.33
60"	9	39'-5"	"	39'-5"	23	9'-2"	6	3'-3"	1'-9"	6'-9"	6	3'-10"	3'-0"	9'-10"	2	11'-4"	536	8.63	9.81



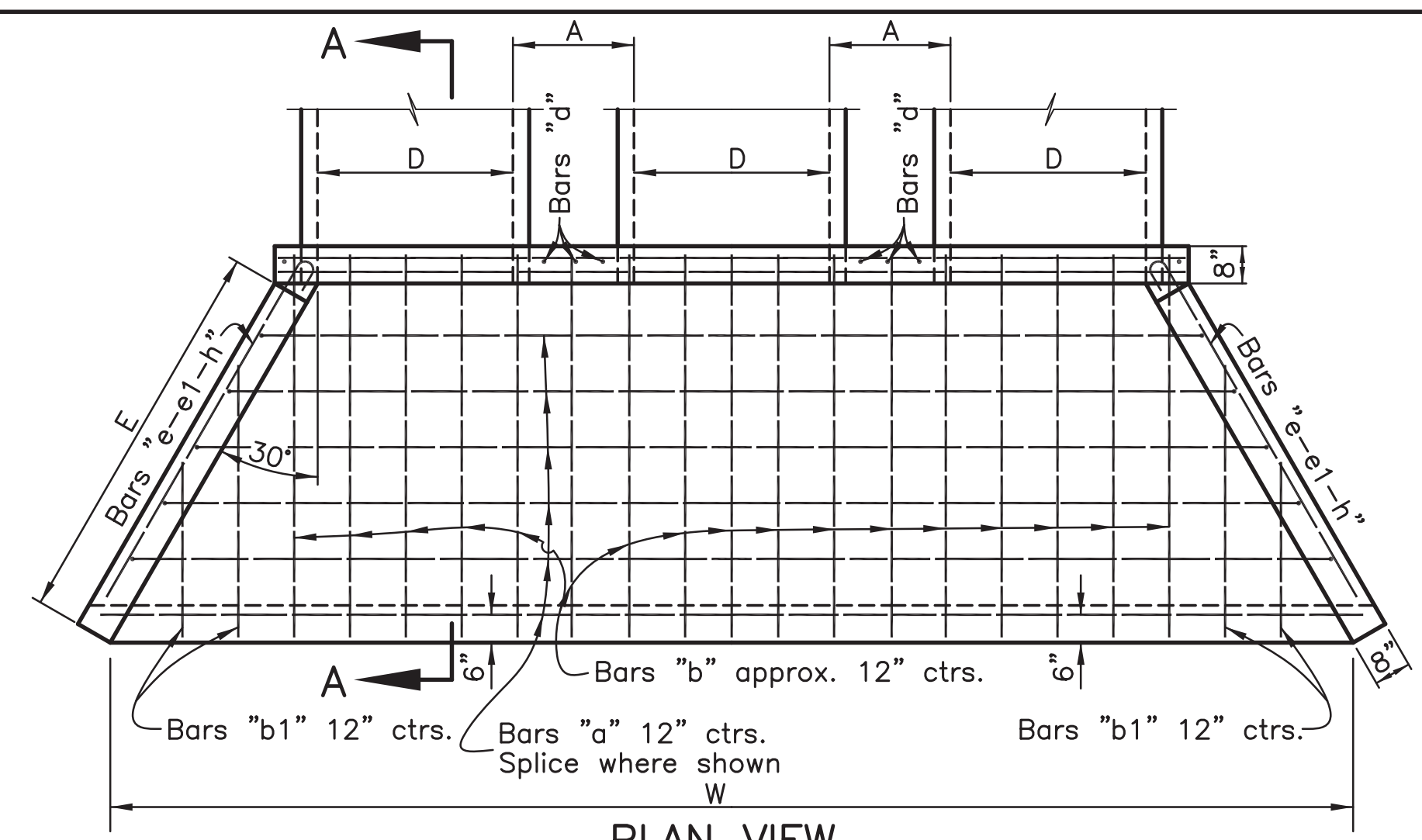
DETAIL OF BARS "a" TRIPLE 48" PIPE



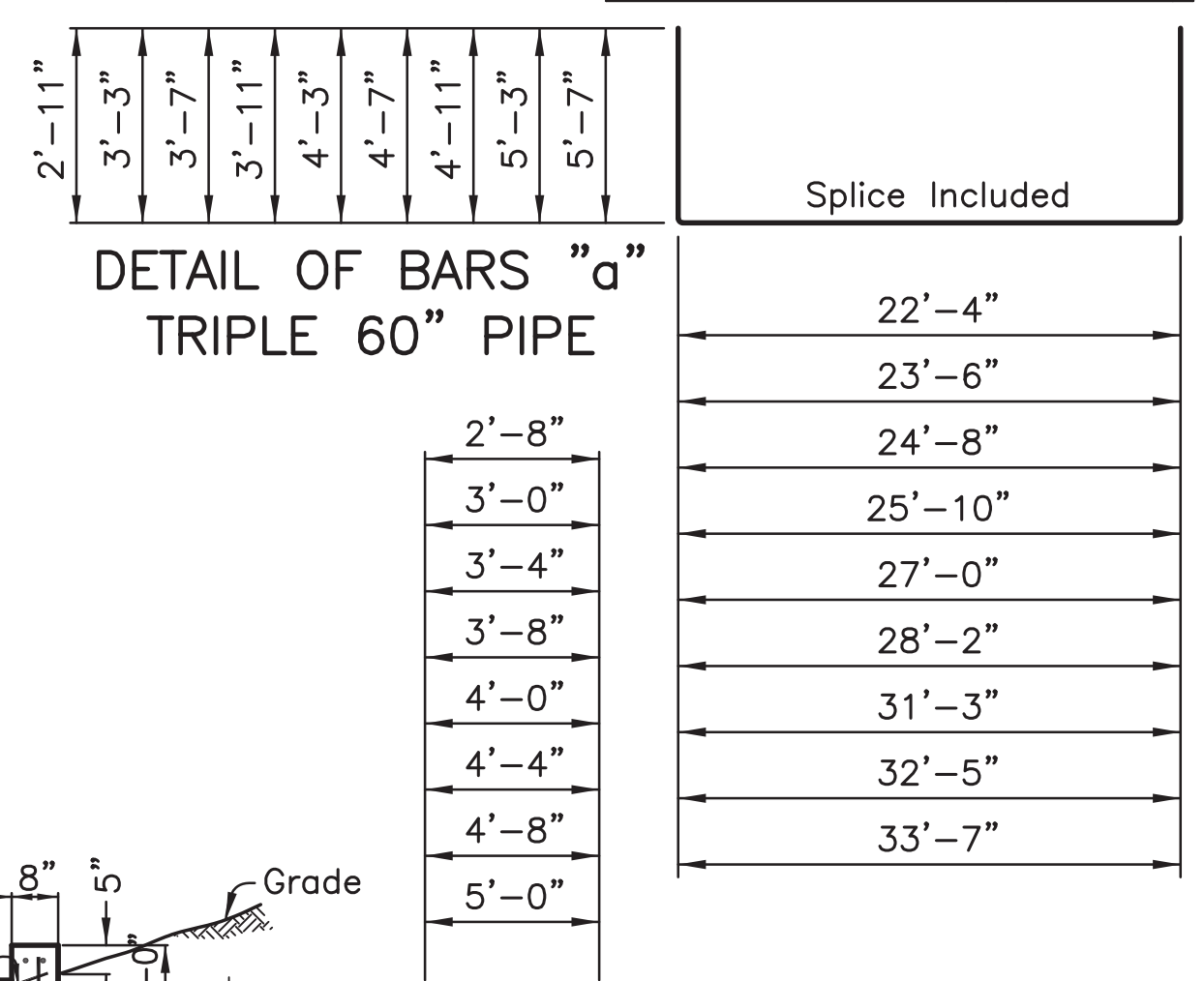
DETAIL OF BARS "a" TRIPLE 42" PIPE



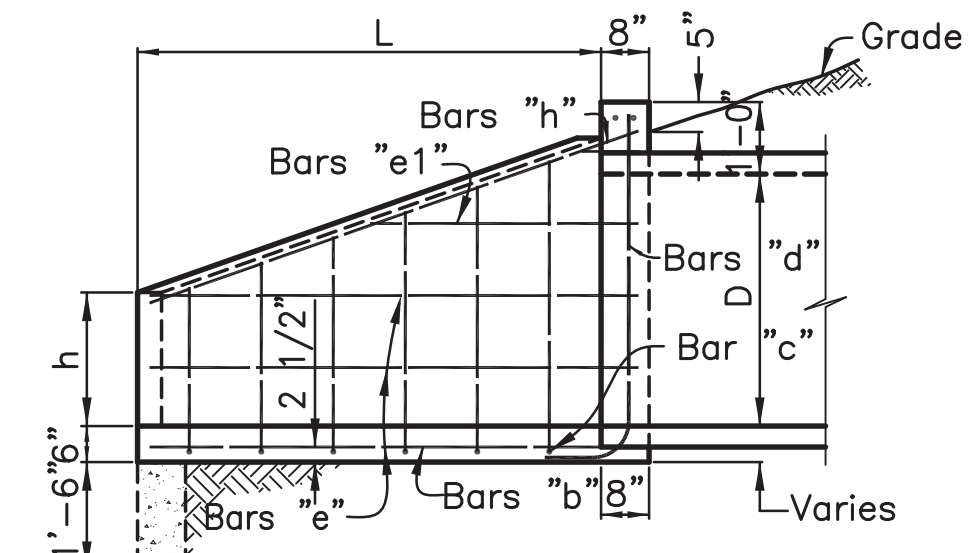
DETAIL OF BAR "h" DOUBLE PIPE
Scale: 3/4"=1'-0"



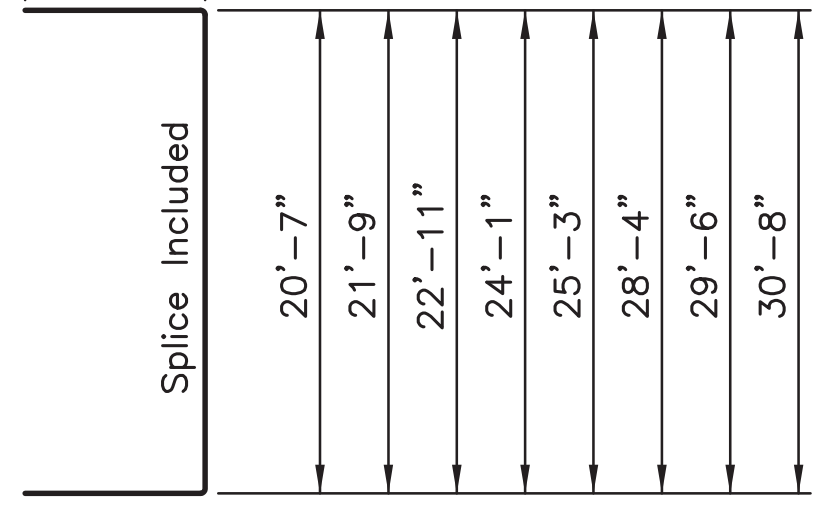
PLAN VIEW
Scale: 3/8"=1'-0"



DETAIL OF BARS "a" TRIPLE 60" PIPE



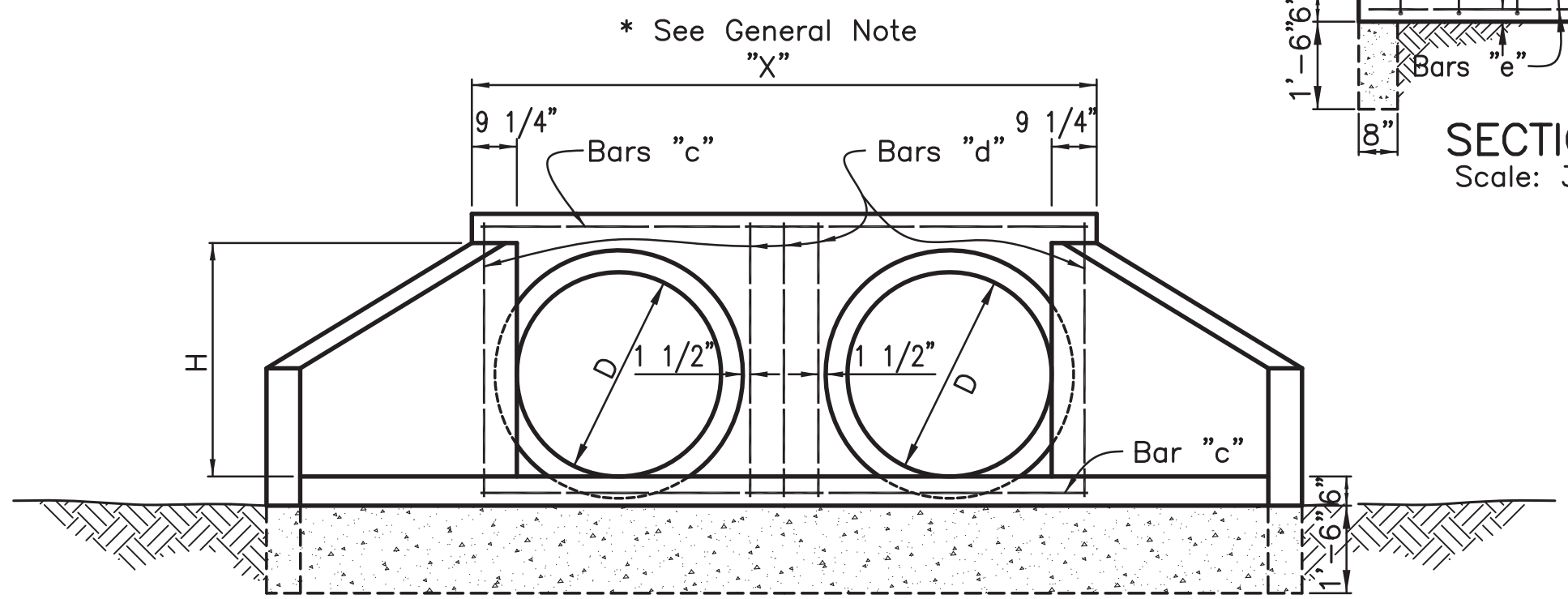
SECTION A-A
Scale: 3/8"=1'-0"



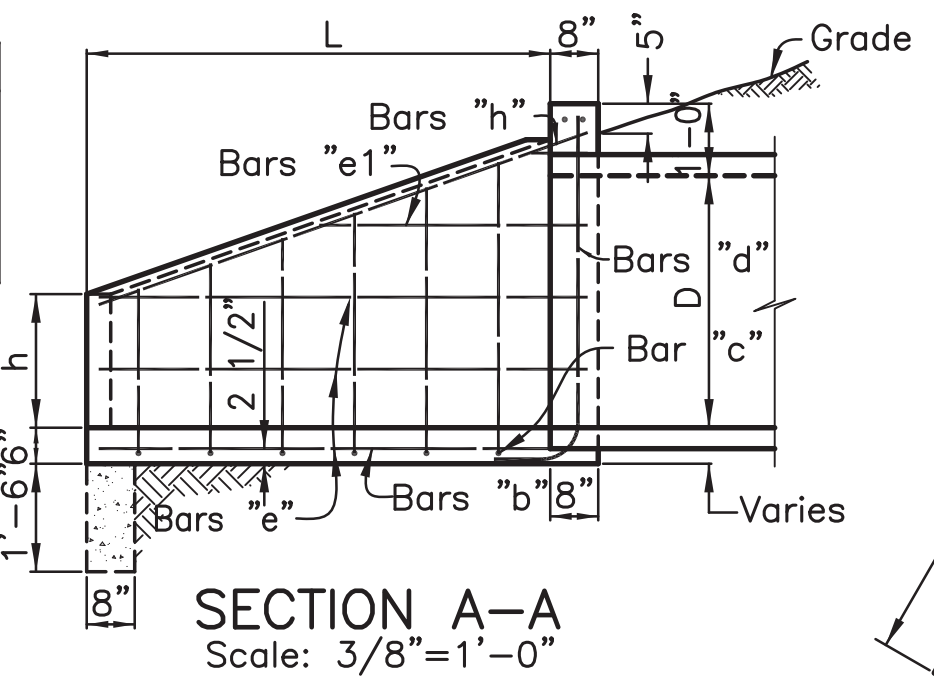
DETAIL OF BARS "a" TRIPLE 54" PIPE

TABLE OF DIMENSIONS

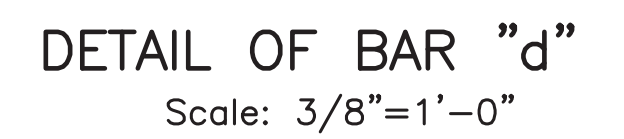
D	W	X	H	h	L	E	A
42"	16'-7"	10'-8 1/2"	4'-0"	1'-10 1/4"	6'-5 1/4"	7'-0 1/2"	2'-2"
48"	18'-9 1/4"	11'-11 1/2"	4'-6"	2'-1"	7'-2 3/4"	7'-11 3/4"	2'-5"
54"	20'-11 1/2"	13'-2 1/2"	5'-0"	2'-3 3/4"	8'-0 1/2"	8'-10 3/4"	2'-8"
60"	23'-2"	14'-5 1/2"	5'-6"	2'-6 3/4"	8'-10"	9'-10"	2'-11"



FRONT VIEW
Scale: 3/8"=1'-0"



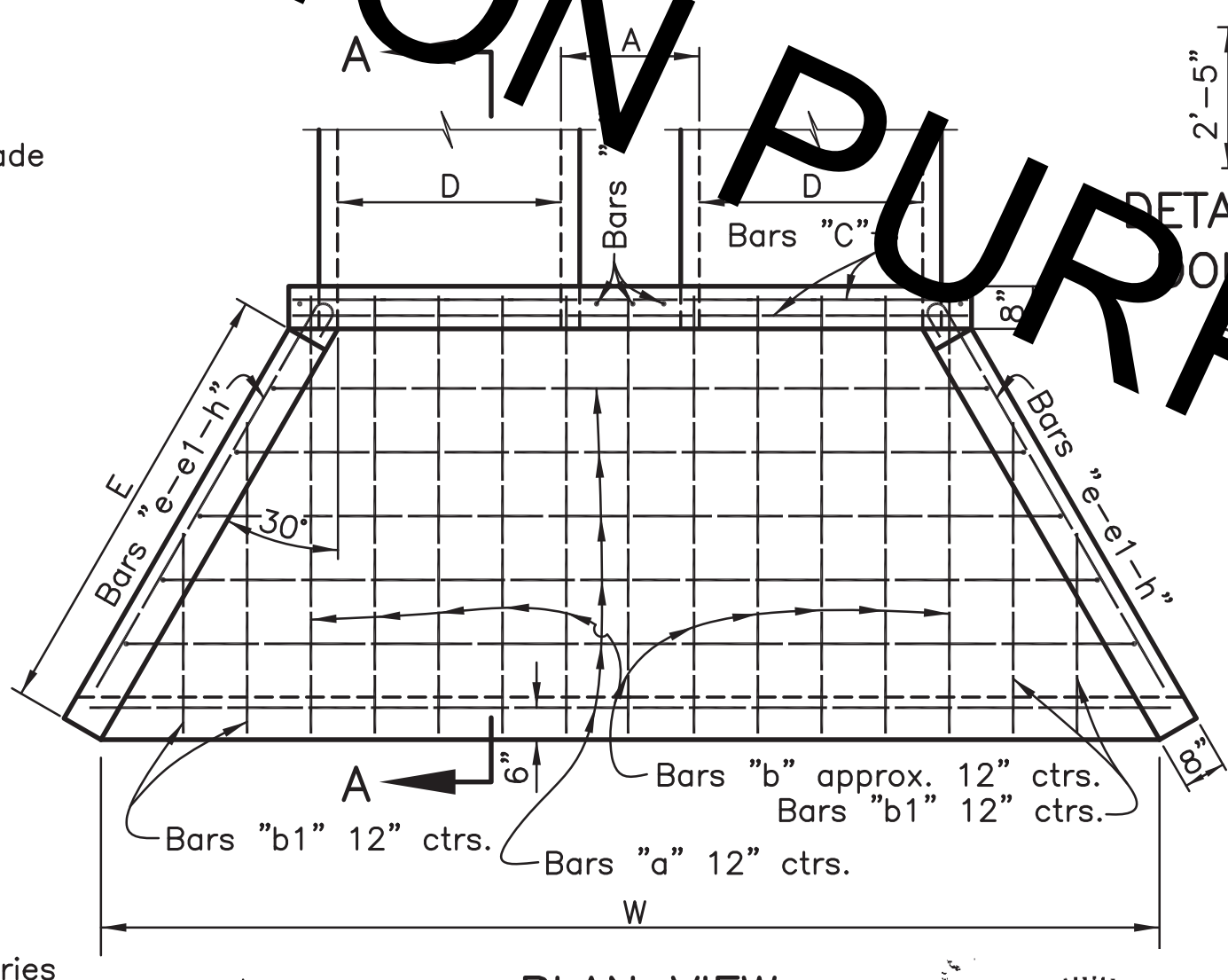
SECTION A-A
Scale: 3/8"=1'-0"



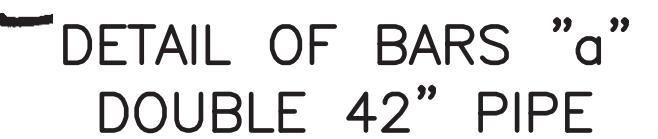
DETAIL OF BAR "d"
Scale: 3/8"=1'-0"

QUANTITIES FOR ONE HEADWALL

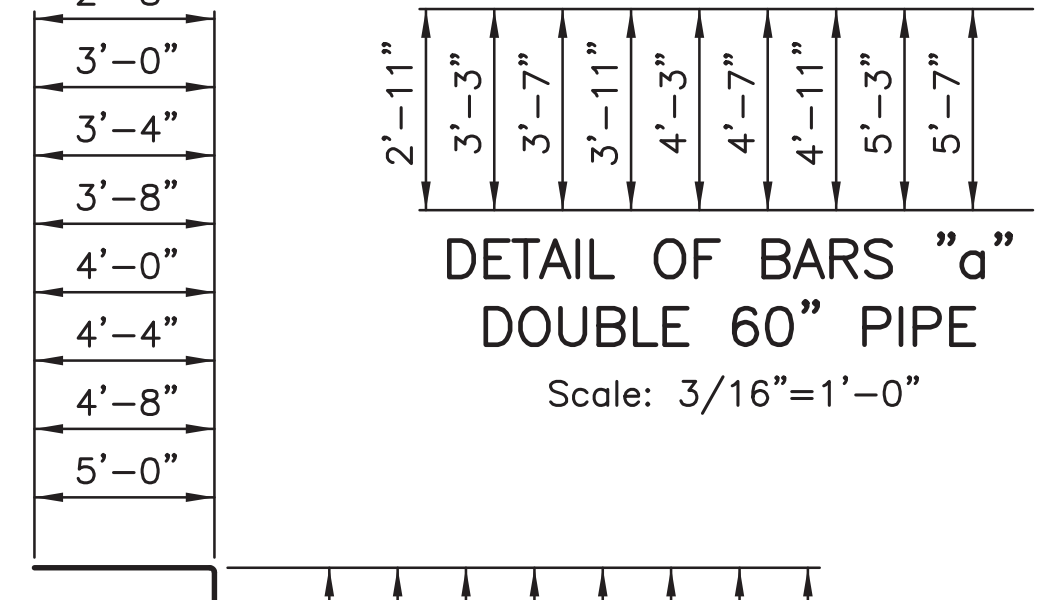
DIAM. OF PIPE	BARS "a"				BARS "b"		BARS "b1"				BARS "e1"				DEFORMED REINF. STEEL LBS.	CU. YDS. CONCRETE			
	NQ.	SHORT BAR	VARIATION	LONG BAR	NQ.	LENGTH	NQ.	SHORT BAR	VARIATION	LONG BAR	NQ.	SHORT BAR	VARIATION	LONG BAR		NQ.	LENGTH	WITHOUT TOE WALL	WITH TOE WALL
42"	6	19'-1"	See Detail	21'-7"	11	6'-9"	4	2'-9"	1'-9"	4'-4"	2	0'-0"	3'-0"	4'-11"	2	8'-4"	218	3.70	4.34
48"	7	21'-3"	"	24'-3"	13	7'-7"	6	1'-8"	1'-9"	5'-2"	4	3'-7"	3'-0"	6'-7"	2	9'-4"	280	4.56	5.28
54"	8	23'-5"	"	26'-11"	14	8'-4"	6	2'-5"	1'-9"	5'-11"	4	5'-2"	3'-0"	8'-2"	2	10'-4"	335	5.50	6.31
60"	9	25'-7"	"	29'-7"	15	9'-2"	6	3'-3"	1'-9"	6'-9"	6	3'-10"	3'-0"	9'-10"	2	11'-4"	404	6.53	7.42



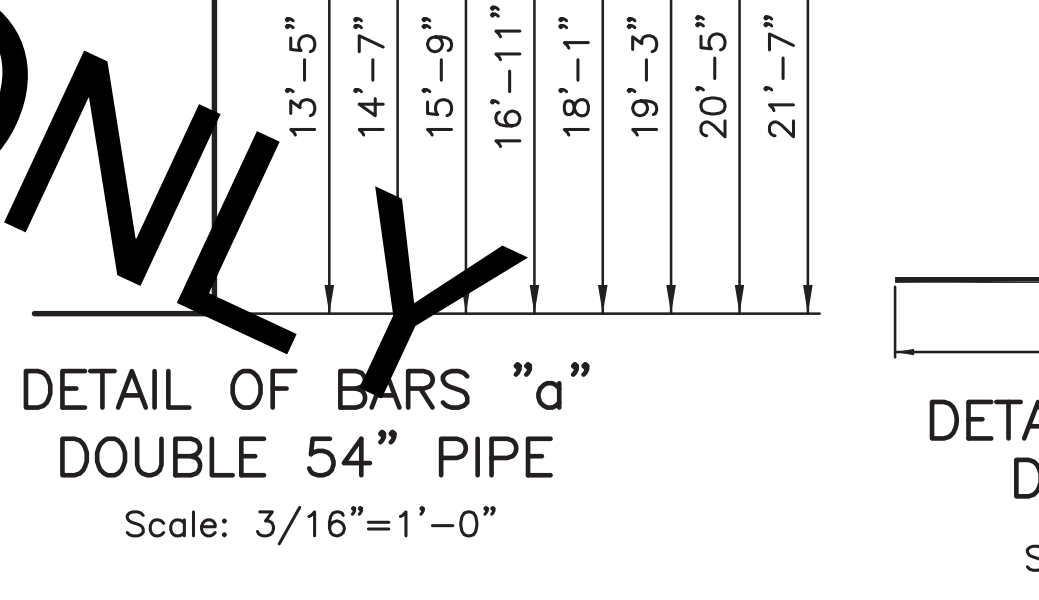
PLAN VIEW
Scale: 3/8"=1'-0"



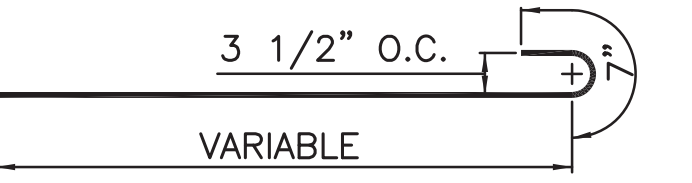
DETAIL OF BARS "a" DOUBLE 42" PIPE
Scale: 3/16"=1'-0"



DETAIL OF BARS "a" DOUBLE 60" PIPE
Scale: 3/16"=1'-0"



DETAIL OF BARS "a" DOUBLE 54" PIPE
Scale: 3/16"=1'-0"



DETAIL OF BAR "h" DOUBLE PIPE
Scale: 3/4"=1'-0"

GENERAL NOTES:

Dimensions of reinforcing steel are to bar centers. All exposed corners to be chamfered 3/4".
When culvert is located at a site subject to scour, the curtain walls shall be made deeper or rip-rap placed around inside face of curtain walls to prevent scouring.
All bars to be 1/2"Ø steel.
* For "X" 20' or Greater Year Plate Required.

STANDARD PLAN NO. 601-14	DATED FEBRUARY 19, 2008	SHEET NO. 1 OF 1
-----------------------------	----------------------------	---------------------

PIPE HEADWALL
MULTIPLE 42" TO 60" DIAMETER
3:1 SLOPE

ENGINEERING DIVISION DEPARTMENT OF PUBLIC WORKS CITY OF BATON ROUGE & PARISH OF EAST BATON ROUGE			
DESIGNED R. ELLIS	DRAWN G. VANNICE	CHECKED R. ELLIS	APPROVED T. STEPHENS

DATE	DESCRIPTION	BY
	REVISIONS	