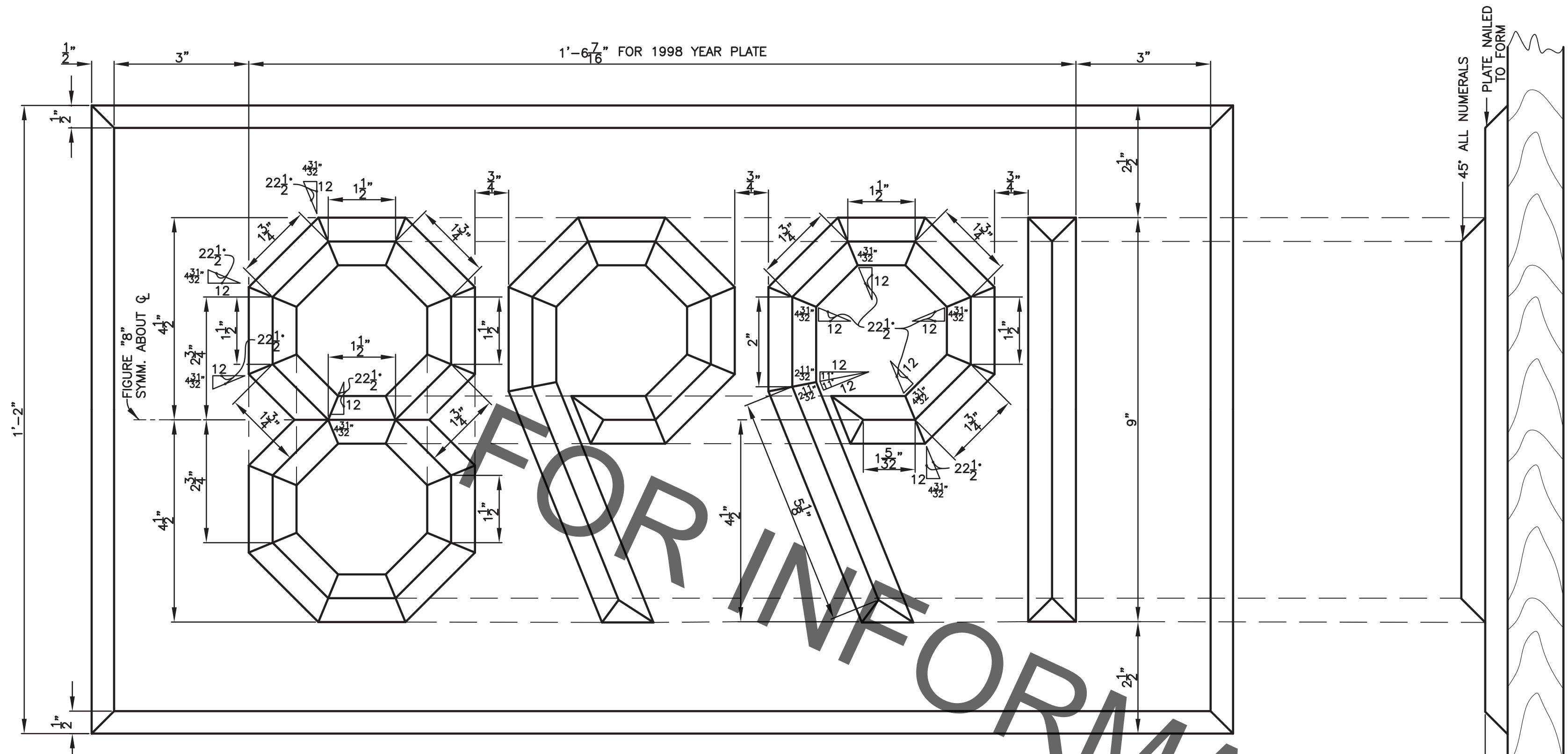


PROJECT NO.	SHEET



YEAR PLATE
SCALE: HALF

YEAR PLATE TO CORRESPOND TO YEAR IN WHICH STRUCTURE IS COMPLETED.

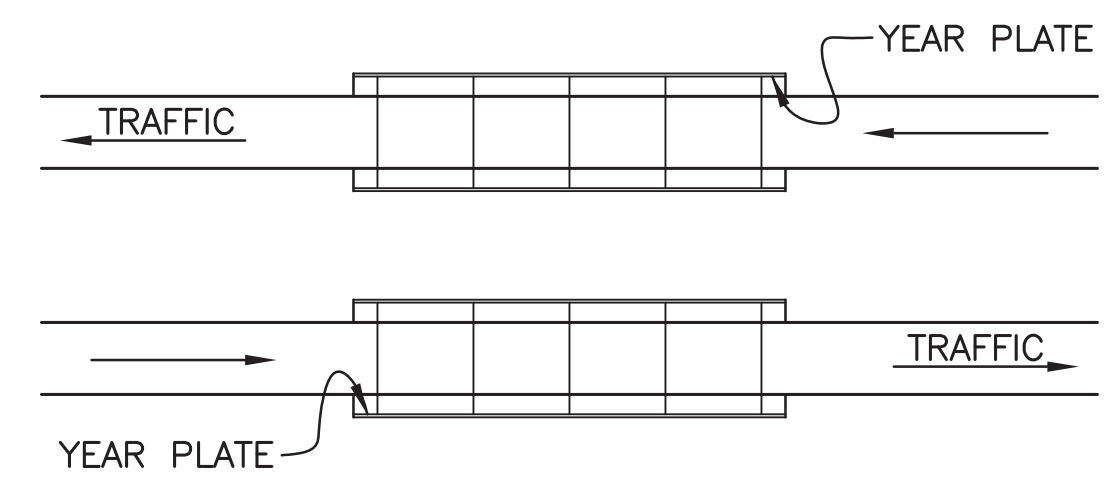
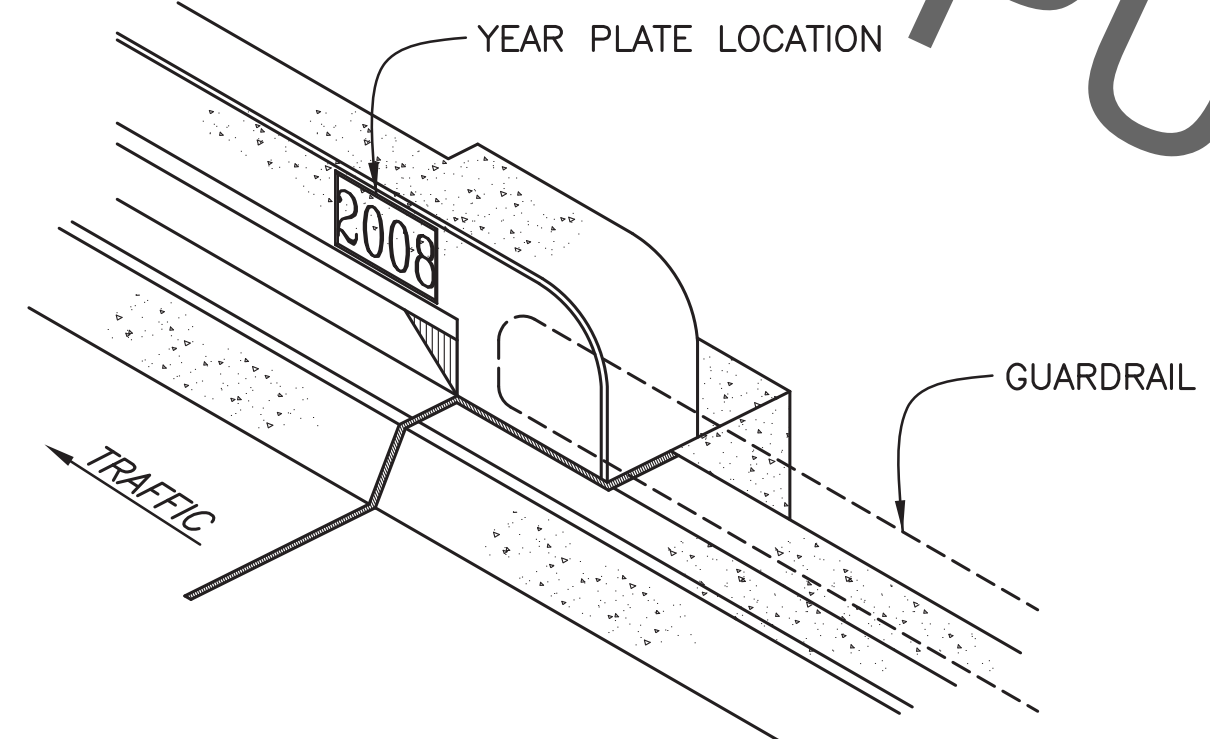
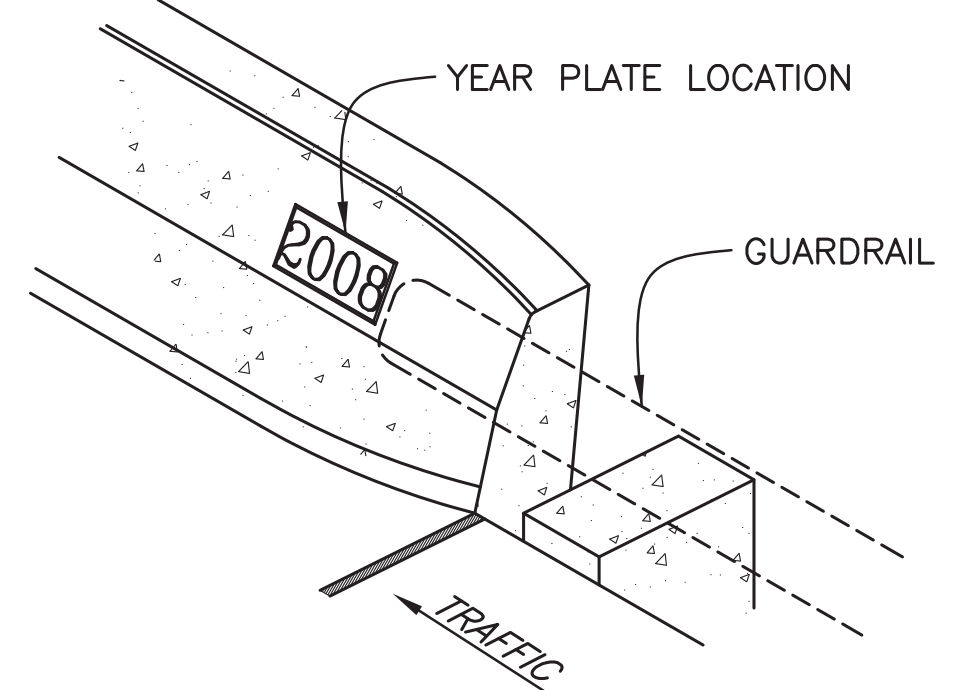


PLATE LOCATIONS FOR
TWIN BRIDGE SITES

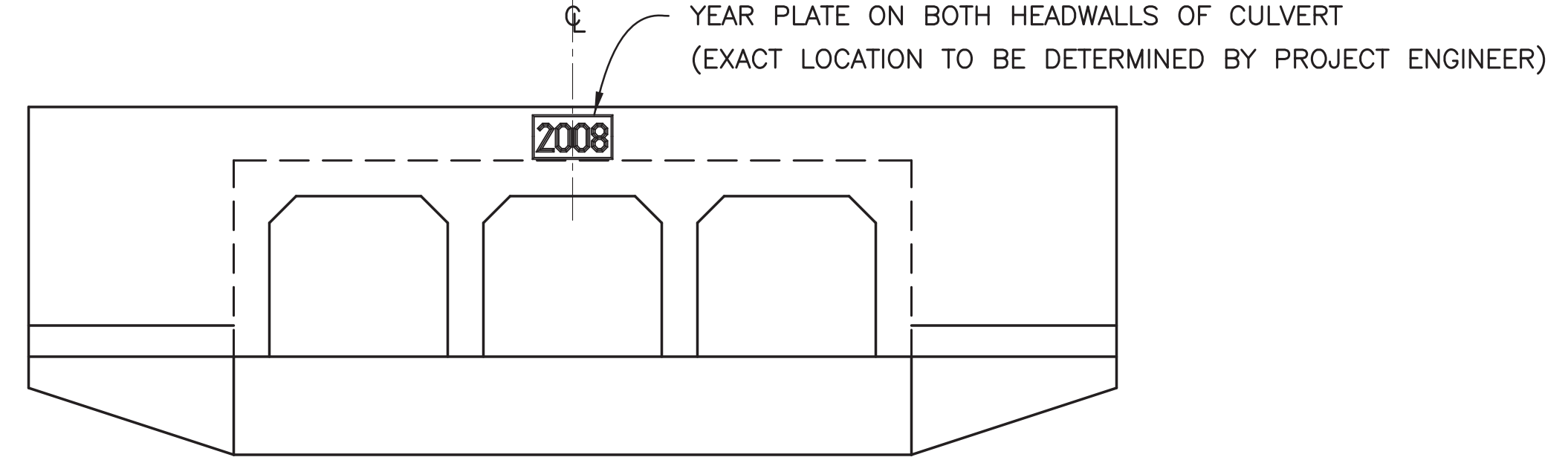
NOTE:
YEAR PLATE REQUIRED
AT BOTH ENDS OF TWO-
WAY TRAFFIC BRIDGE ON
ONCOMING SIDE.



END WALL
BRUSH CURB TYPE BRIDGE RAILING

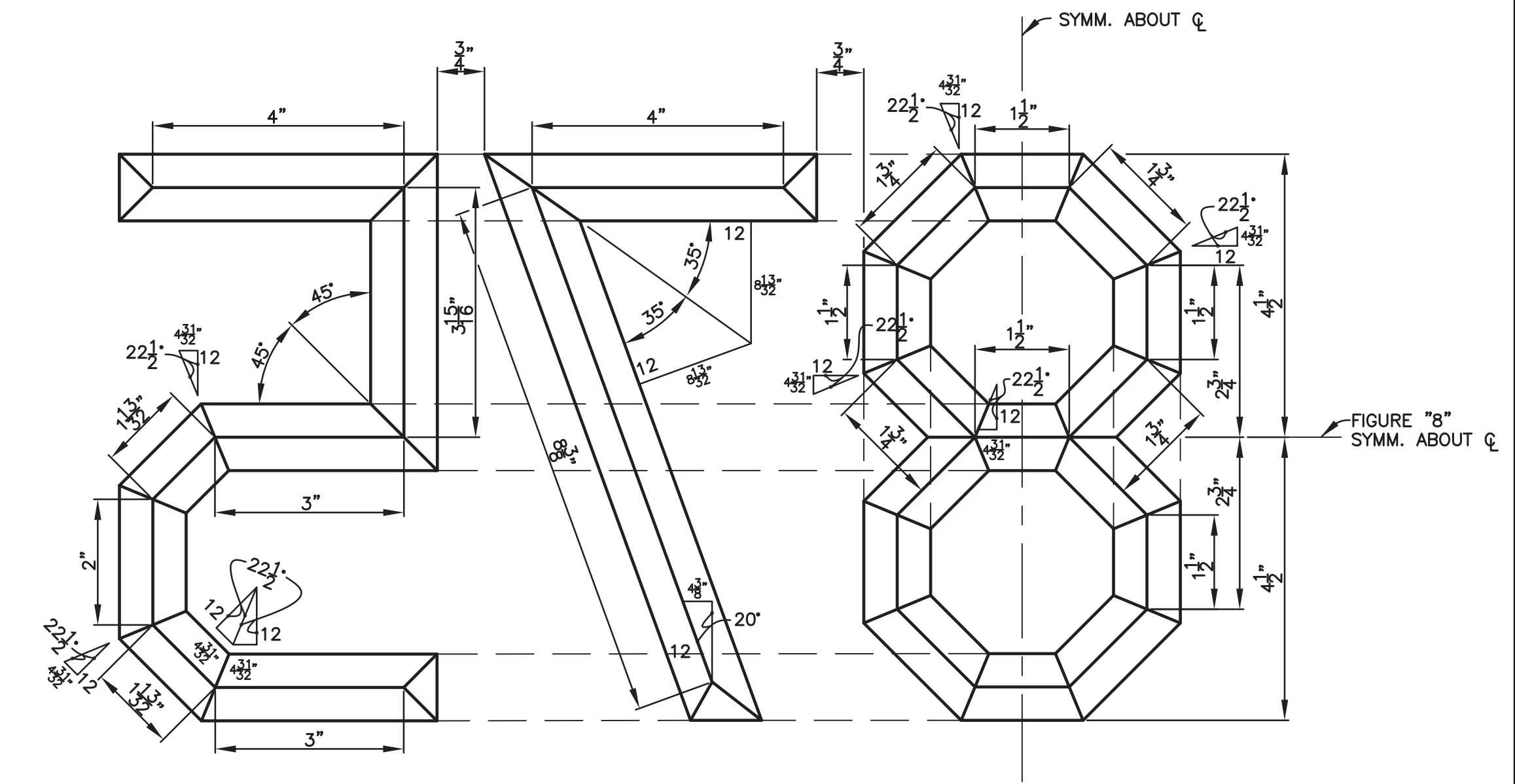


END WALL
BARRIER TYPE BRIDGE RAILING

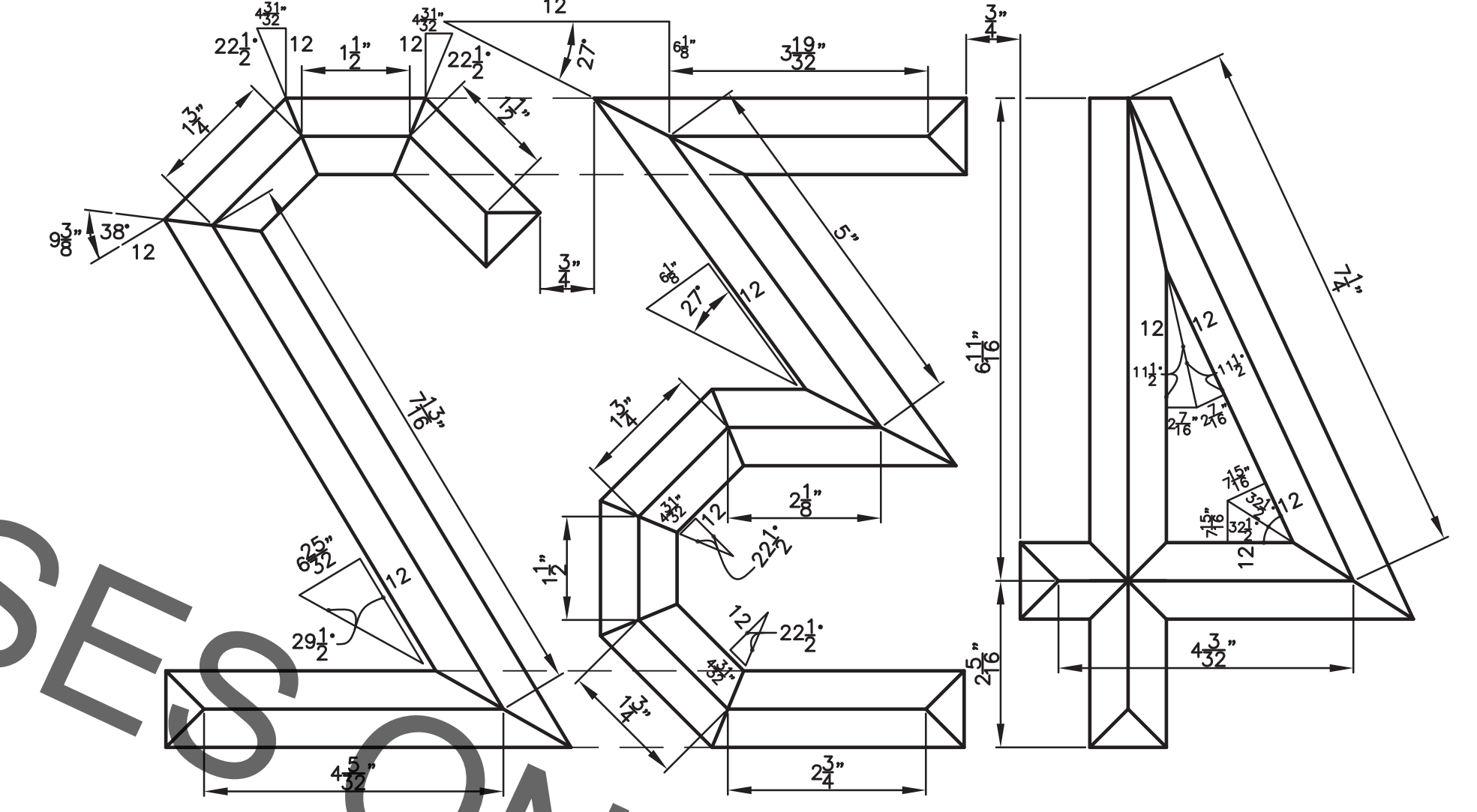


CULVERT
ELEVATION

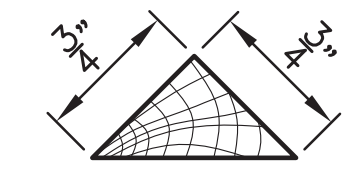
SKETCHES SHOWING LOCATION OF YEAR PLATE ON VARIOUS CONCRETE STRUCTURES



NOTE:
FIGURE "6" TO BE "9" INVERTED.
FIGURE "0" TO BE MADE AS DASHED LINES INDICATED ON DETAIL OF FIGURE "8".



YEAR PLATE NUMERALS
SCALE: HALF



FULL SIZE CROSS SECTION
OF 3/4" CHAMFER STRIP TO
BE USED IN CONSTRUCTING
ALL LETTERS FOR YEAR PLATE.

YEAR PLATE MATERIAL
SCALE: FULL



STANDARD PLAN NO. 601-04	DATED FEBRUARY 18, 2008	SHEET NO. 1 OF 1
-----------------------------	----------------------------	---------------------

YEAR PLATES
FOR CONCRETE STRUCTURES

ENGINEERING DIVISION DEPARTMENT OF PUBLIC WORKS CITY OF BATON ROUGE & PARISH OF EAST BATON ROUGE			
DESIGNED R. ELLIS	DRAWN G. VANNICE	CHECKED R. ELLIS	APPROVED T. STEPHENS

DATE	DESCRIPTION REVISIONS	BY