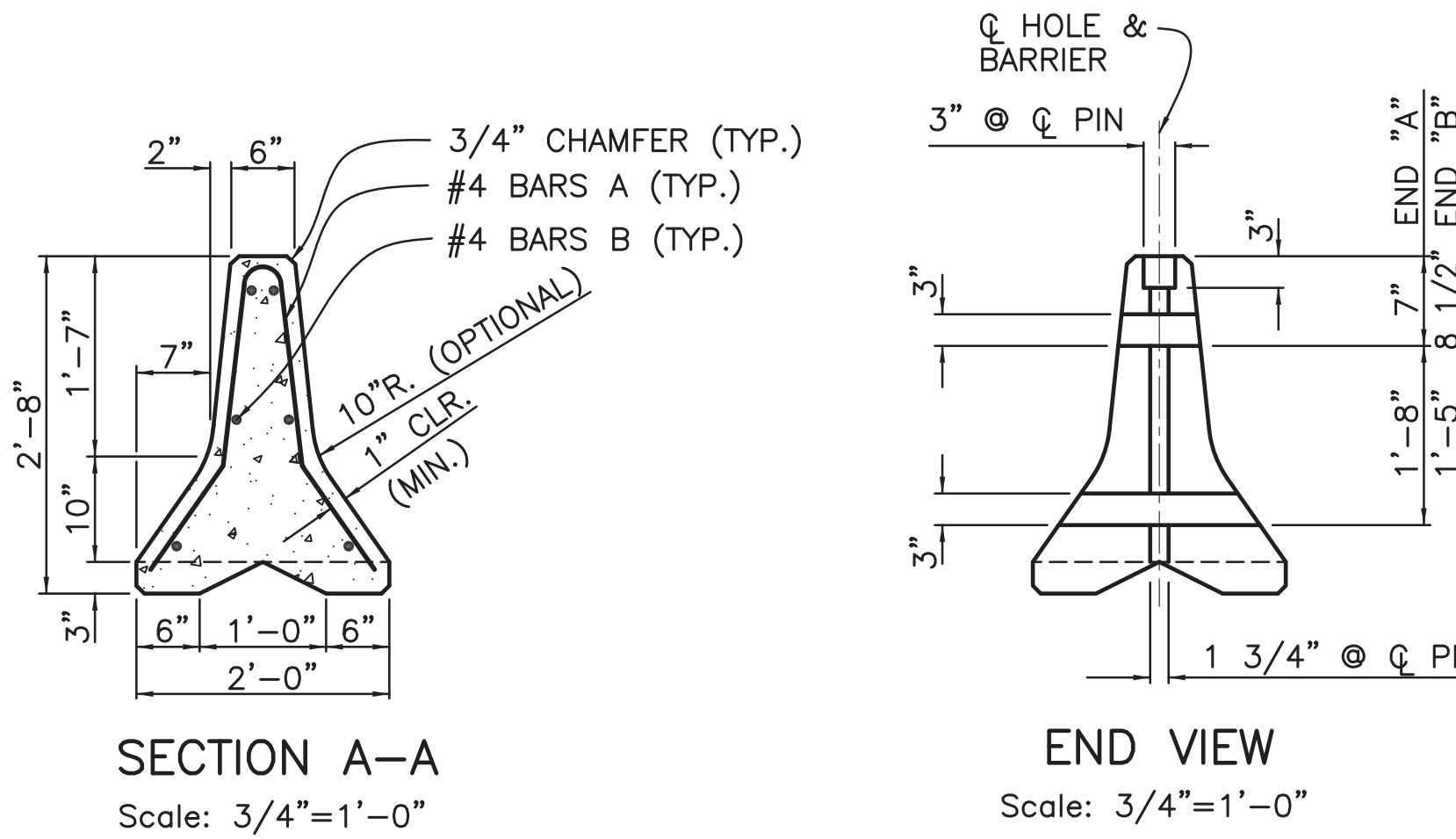
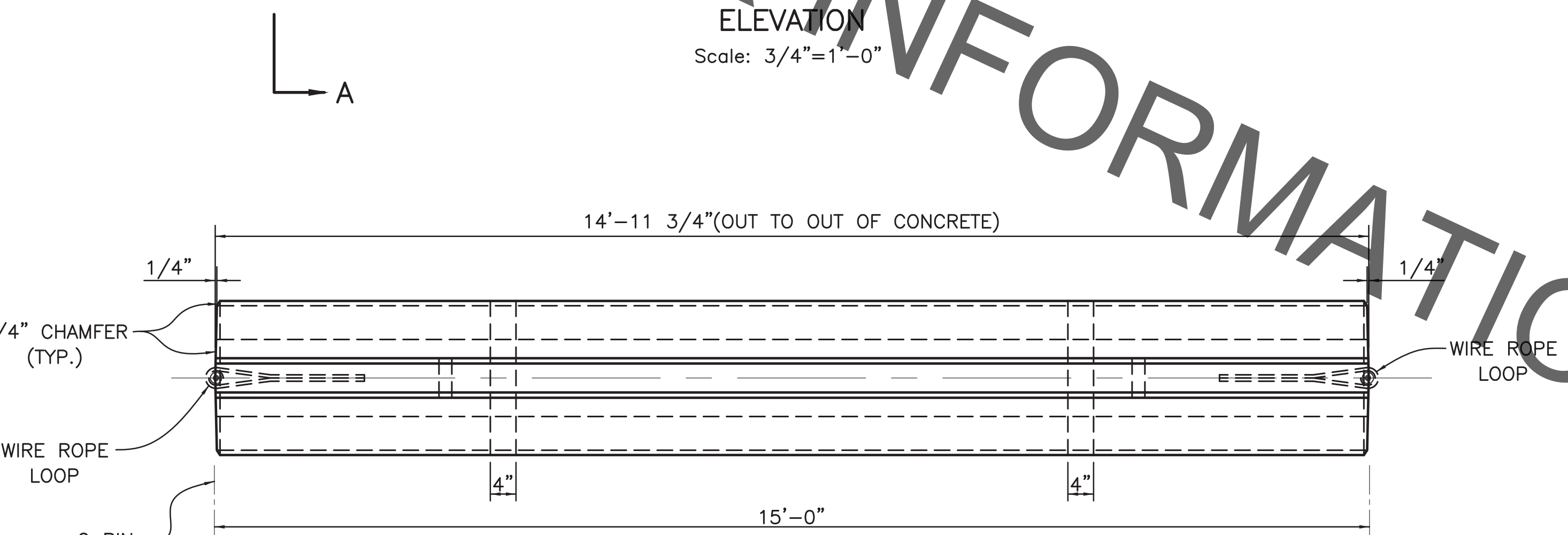
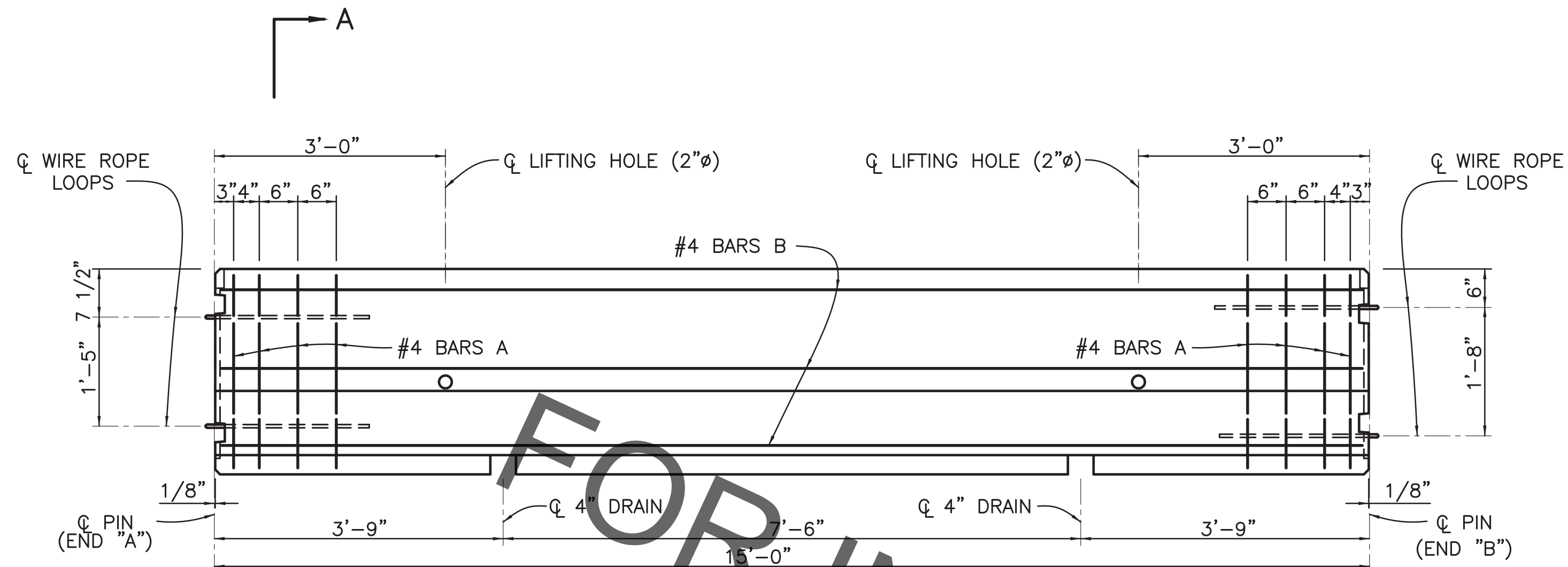
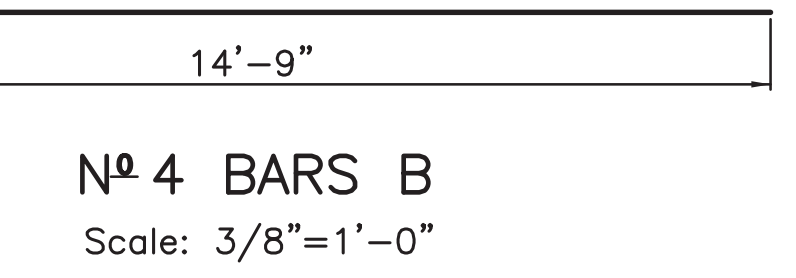
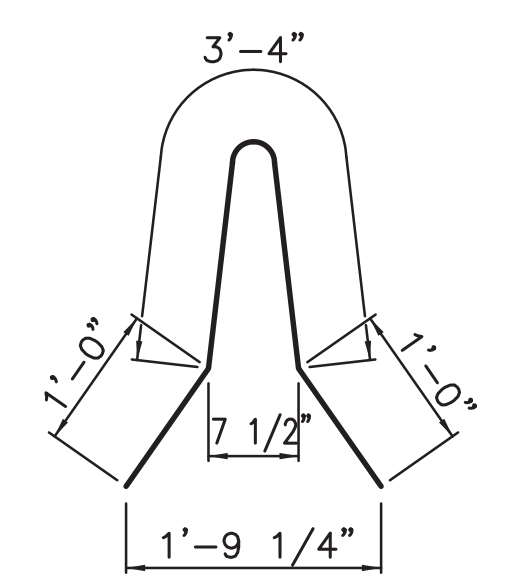
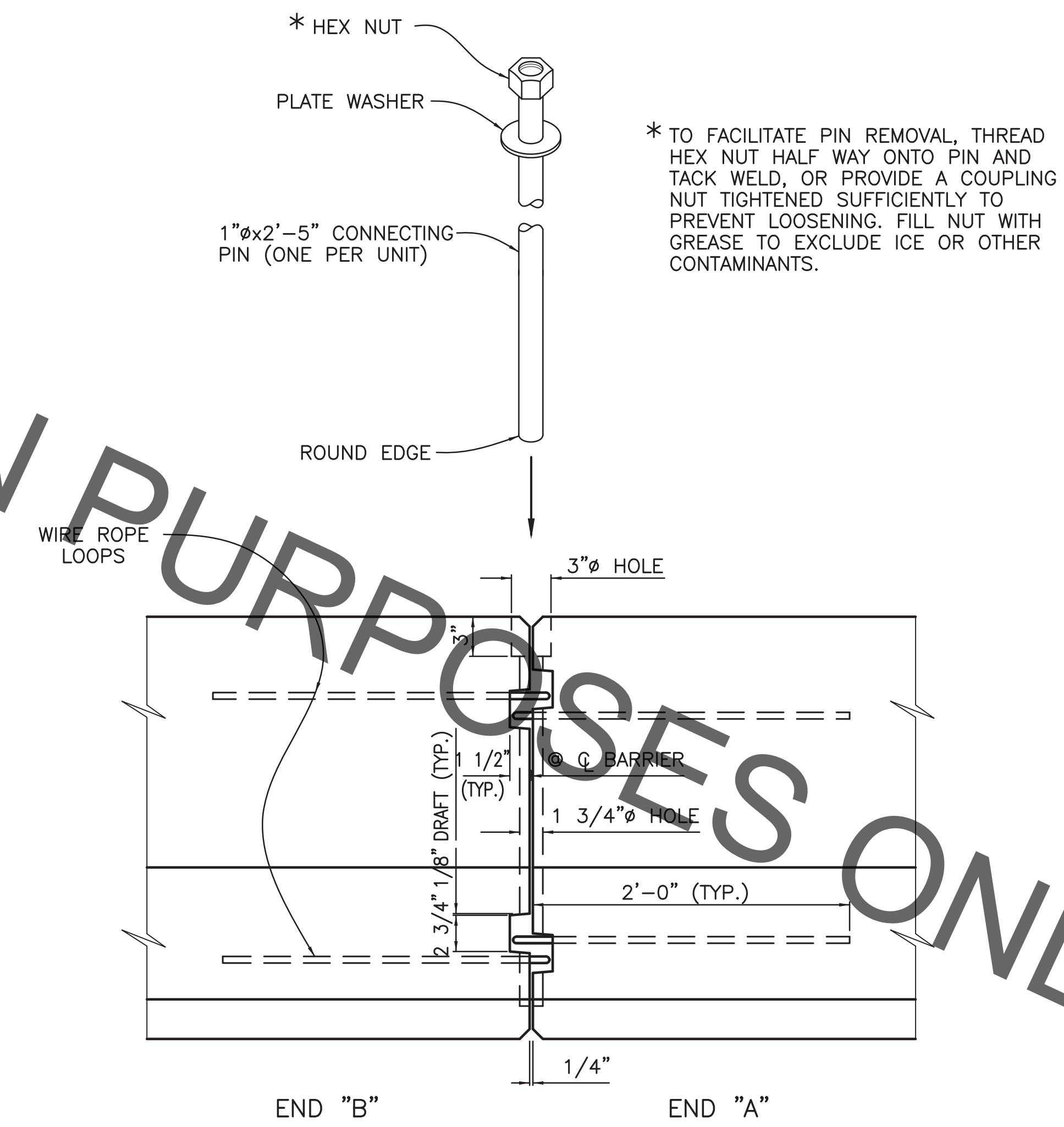


PROJECT NO.	SHEET



ESTIMATED QUANTITIES <sup>o</sup>	
DEFORMED REINFORCING STEEL	88 LBS.
CLASS 6A4000 CONCRETE	1.44 CU. YDS.

<sup>o</sup> QUANTITIES SHOWN ARE FOR ESTIMATION PURPOSES ONLY. CONCRETE, DEFORMED REINFORCING STEEL, WIRE ROPE LOOPS, PICK-UPS, CONNECTING PINS, NUTS AND WASHERS ARE TO BE INCLUDED IN THE PRICE BID FOR ITEM 6010901 PRECAST CONCRETE BARRIER RAILING, PER EACH.



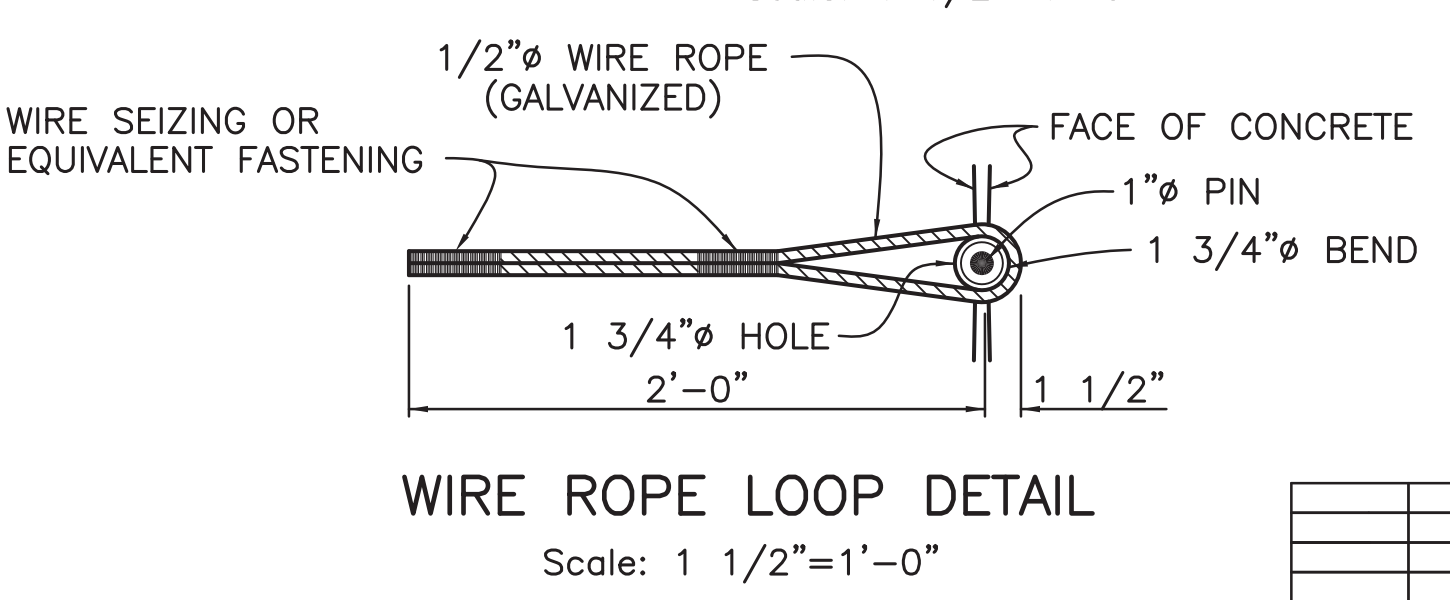
**NOTES**

CONCRETE FOR PRECAST BARRIER RAILING SHALL BE CLASS 6A4000 AND SHALL RECEIVE A CLASS 2 APPLIED COATING FINISH. ADDITIONAL REINFORCING AS NECESSARY SHALL BE REQUIRED TO INSURE INTEGRITY OF THE PRECAST BARRIER DURING LIFTING AND PLACING OPERATIONS.

PICK-UPS SHALL BE PROVIDED AS INDICATED ON THE BOTTOM OF THE BARRIER FOR REMOVAL OF UNIT FROM FORMS. (BARRIER WEIGHT = 5832 LBS.)

PRECAST UNITS SHALL BE HELD AT THE PLANT A MINIMUM OF 10 DAYS AFTER CASTING.

UPON COMPLETION OF THE PROJECT THE CONTRACTOR SHALL REMOVE AND TRANSPORT THE BARRIER UNITS TO THE REQUIRED MAINTENANCE UNIT.



\* TO FACILITATE PIN REMOVAL, THREAD HEX NUT HALF WAY ONTO PIN AND TACK WELD, OR PROVIDE A COUPLING NUT TIGHTENED SUFFICIENTLY TO PREVENT LOOSENING. FILL NUT WITH GREASE TO EXCLUDE ICE OR OTHER CONTAMINANTS.

STATE OF LOUISIANA  
THOMAS A. STEPHENS  
License No. 15417  
PROFESSIONAL ENGINEER  
IN  
CIVIL ENGINEERING  
2/16/2008

STANDARD PLAN NO. 601-03	DATED FEBRUARY 18, 2008	SHEET NO. 1 OF 2
-----------------------------	----------------------------	---------------------

**TEMPORARY PRECAST CONCRETE BARRIER RAILING**

ENGINEERING DIVISION DEPARTMENT OF PUBLIC WORKS CITY OF BATON ROUGE & PARISH OF EAST BATON ROUGE			
DESIGNED R. ELLIS	DRAWN G. VANNICE	CHECKED R. ELLIS	APPROVED T. STEPHENS

DATE	DESCRIPTION	BY
	REVISIONS	