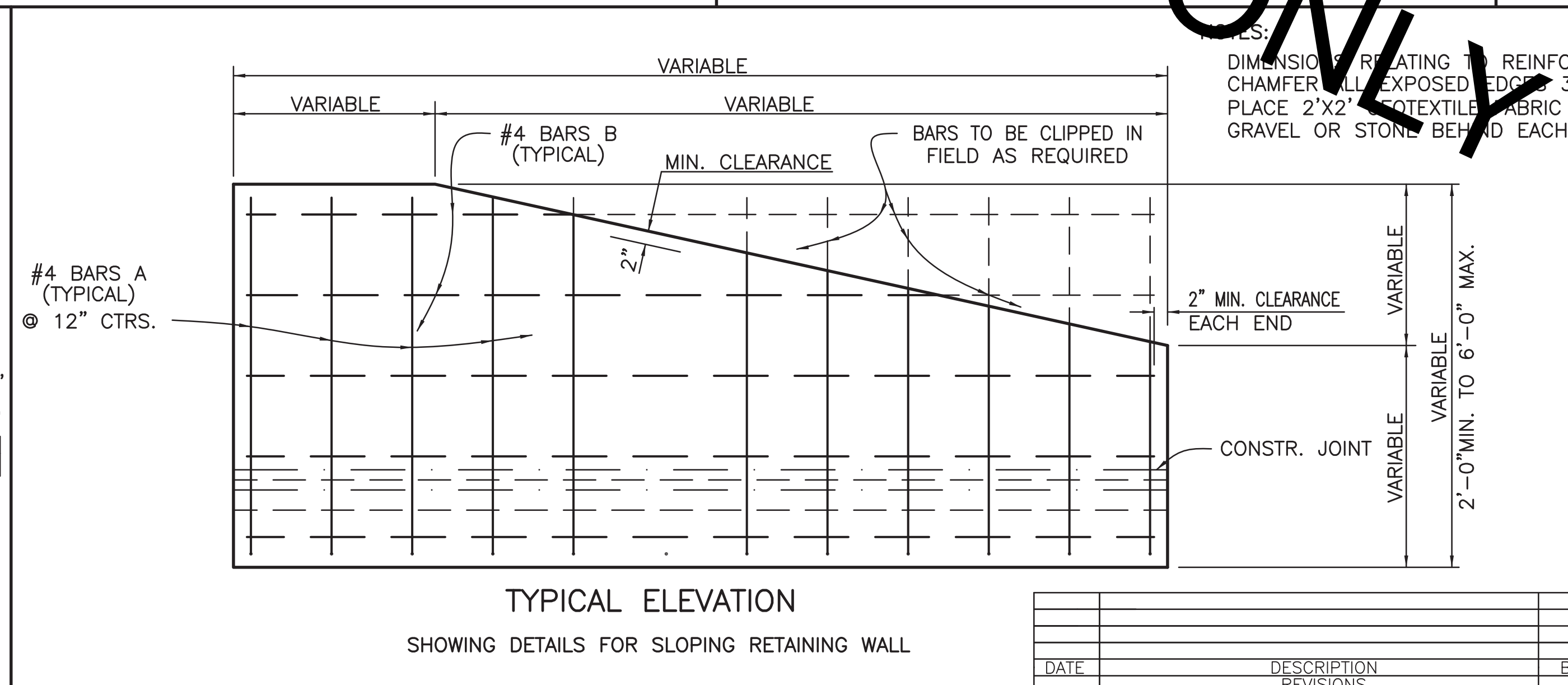
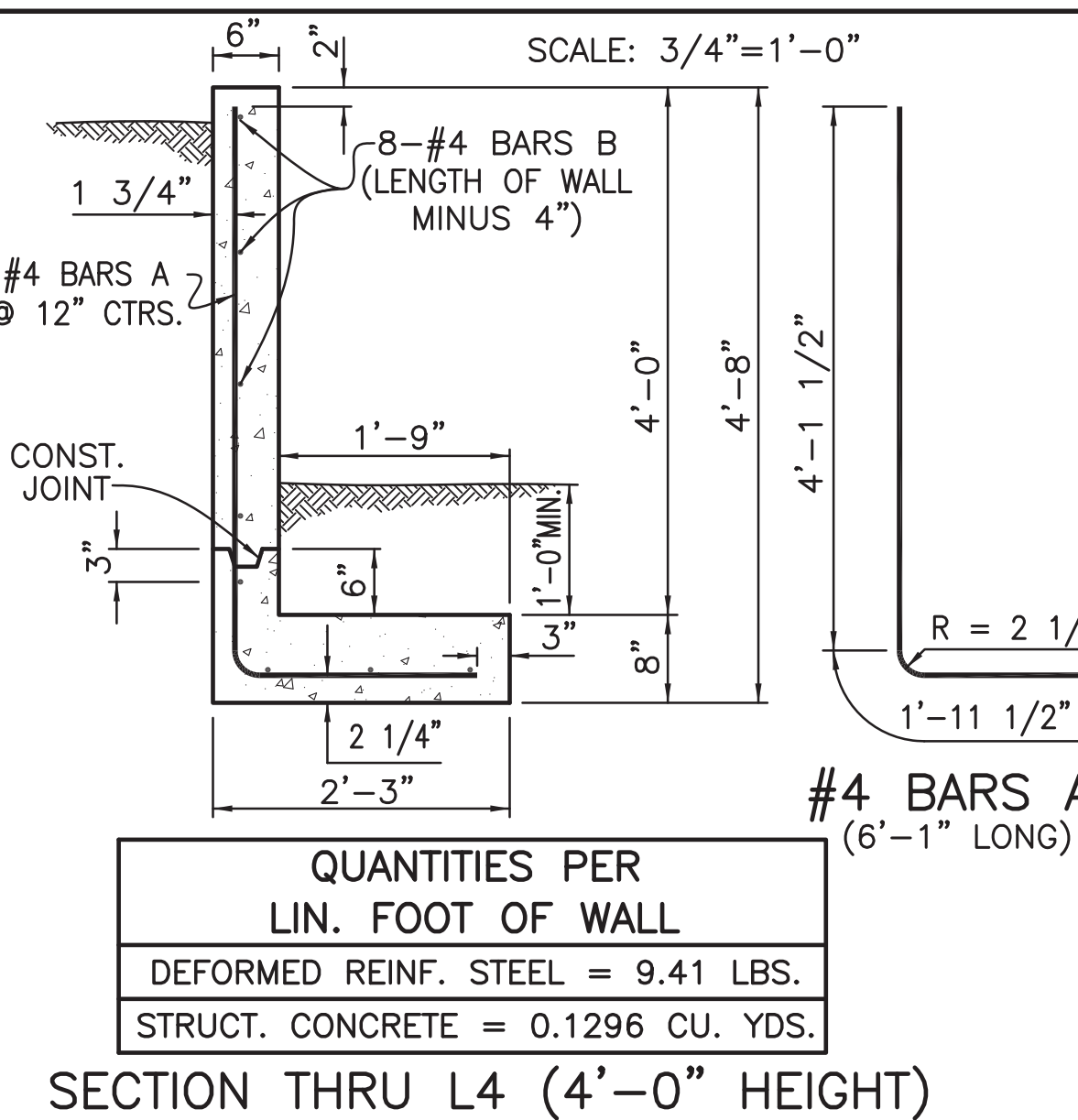
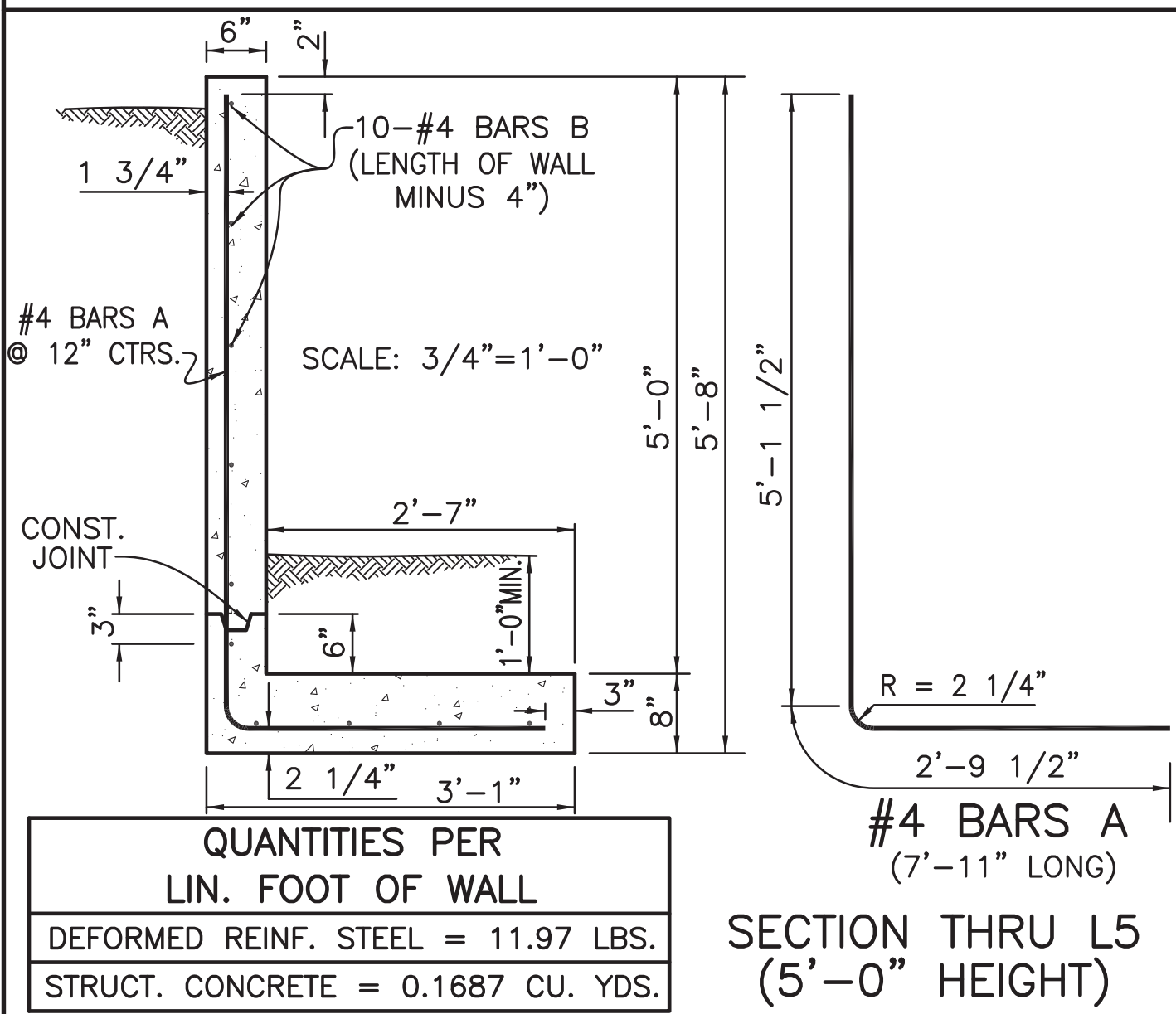
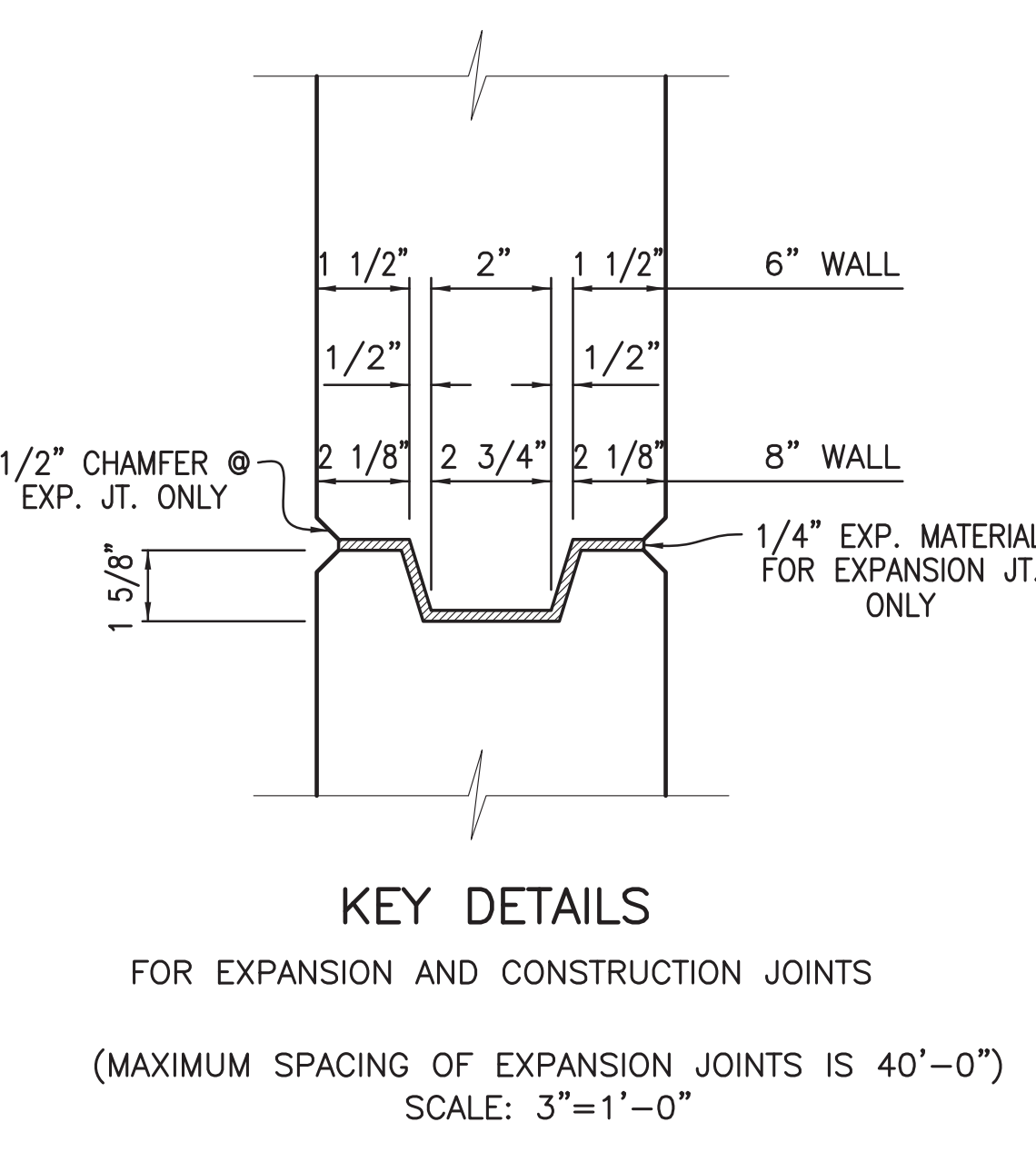
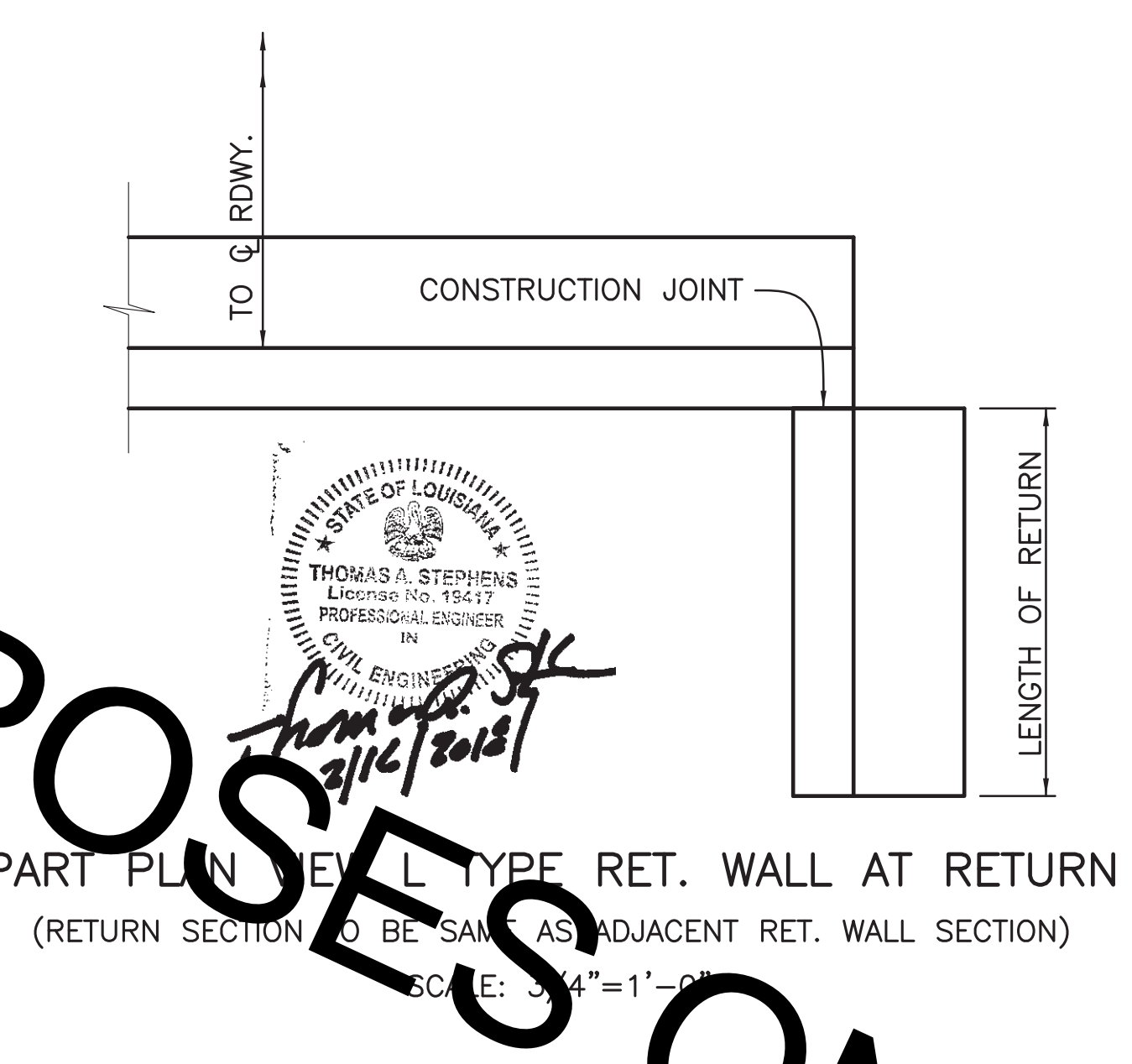
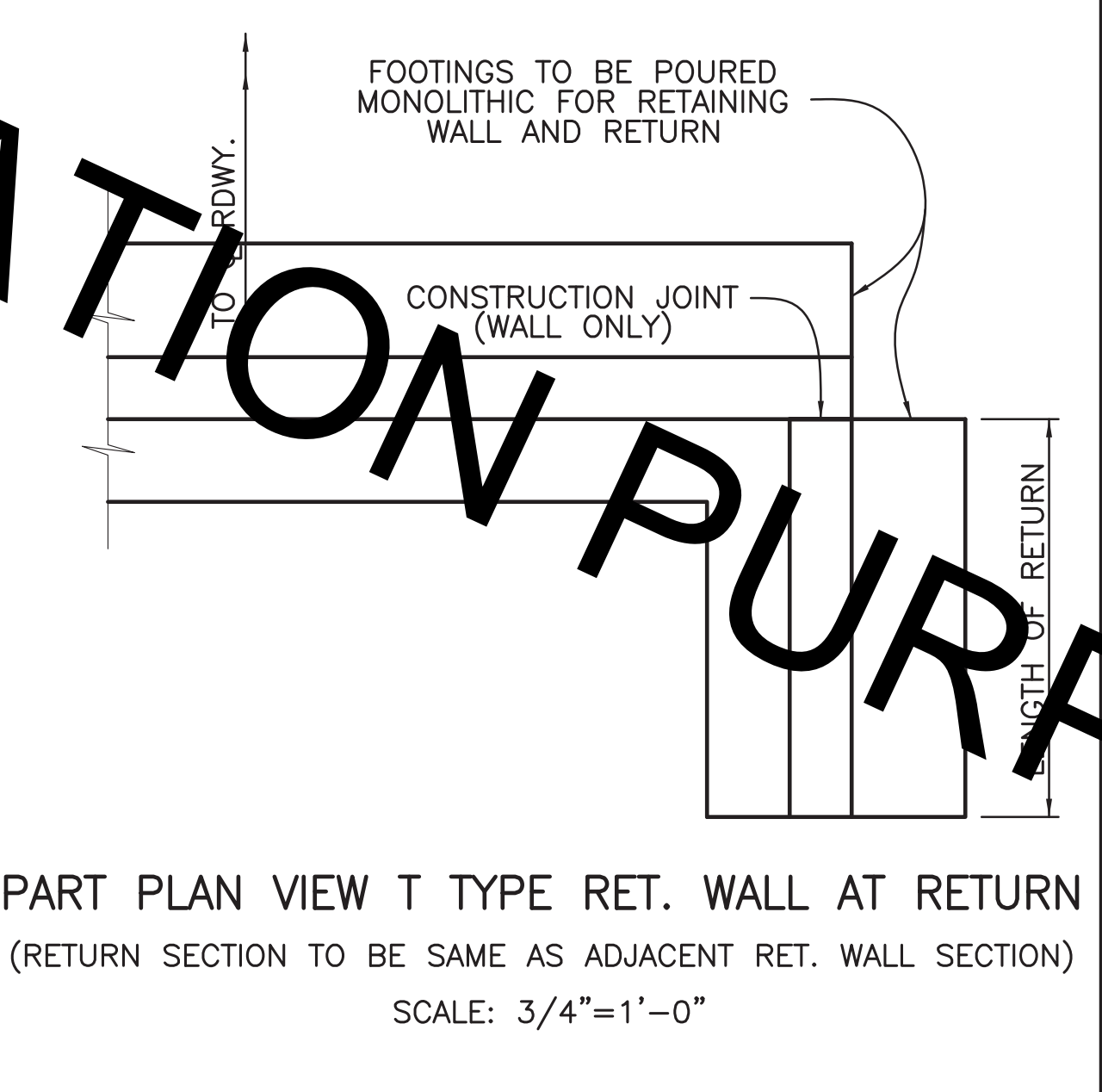
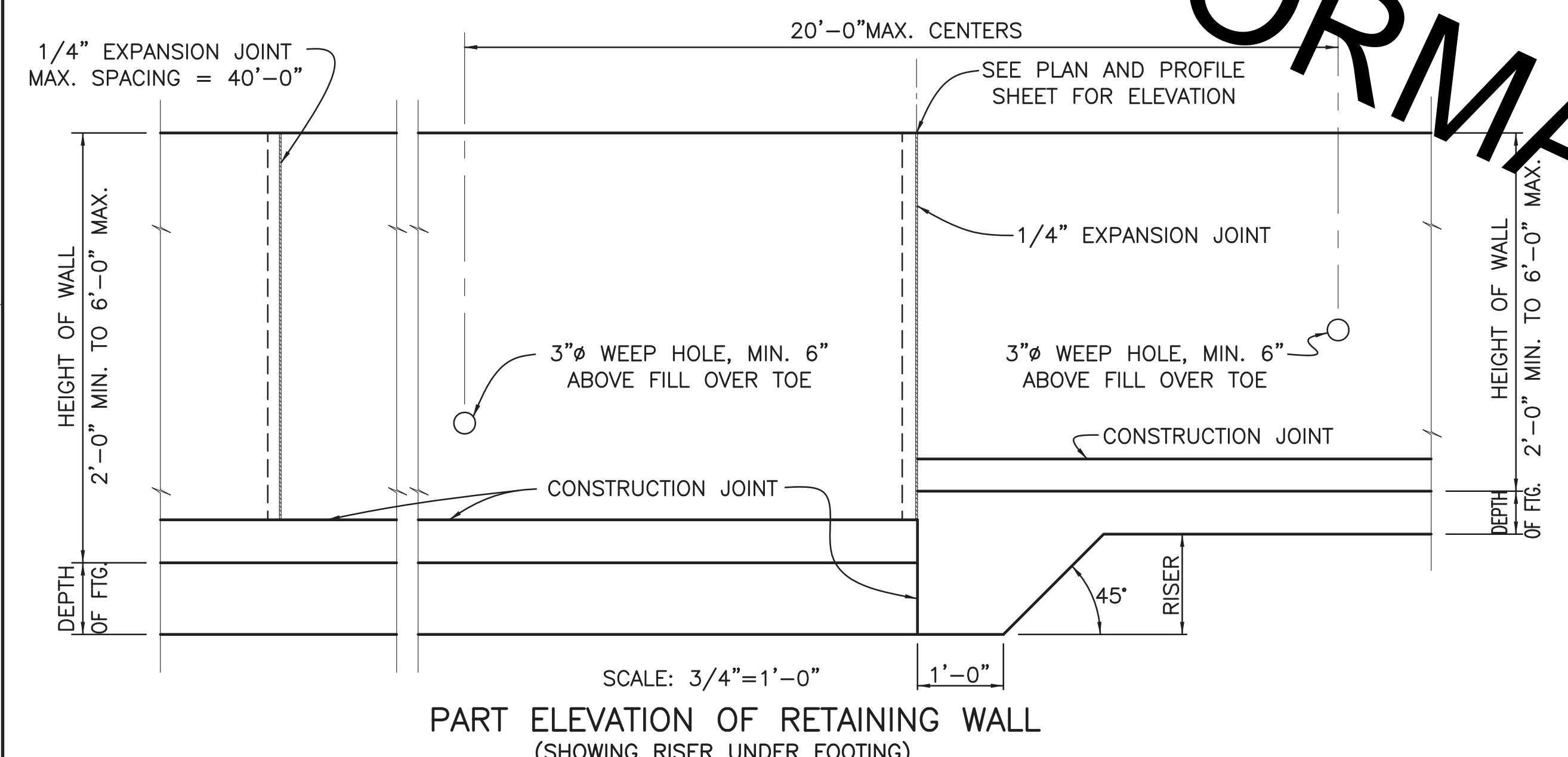
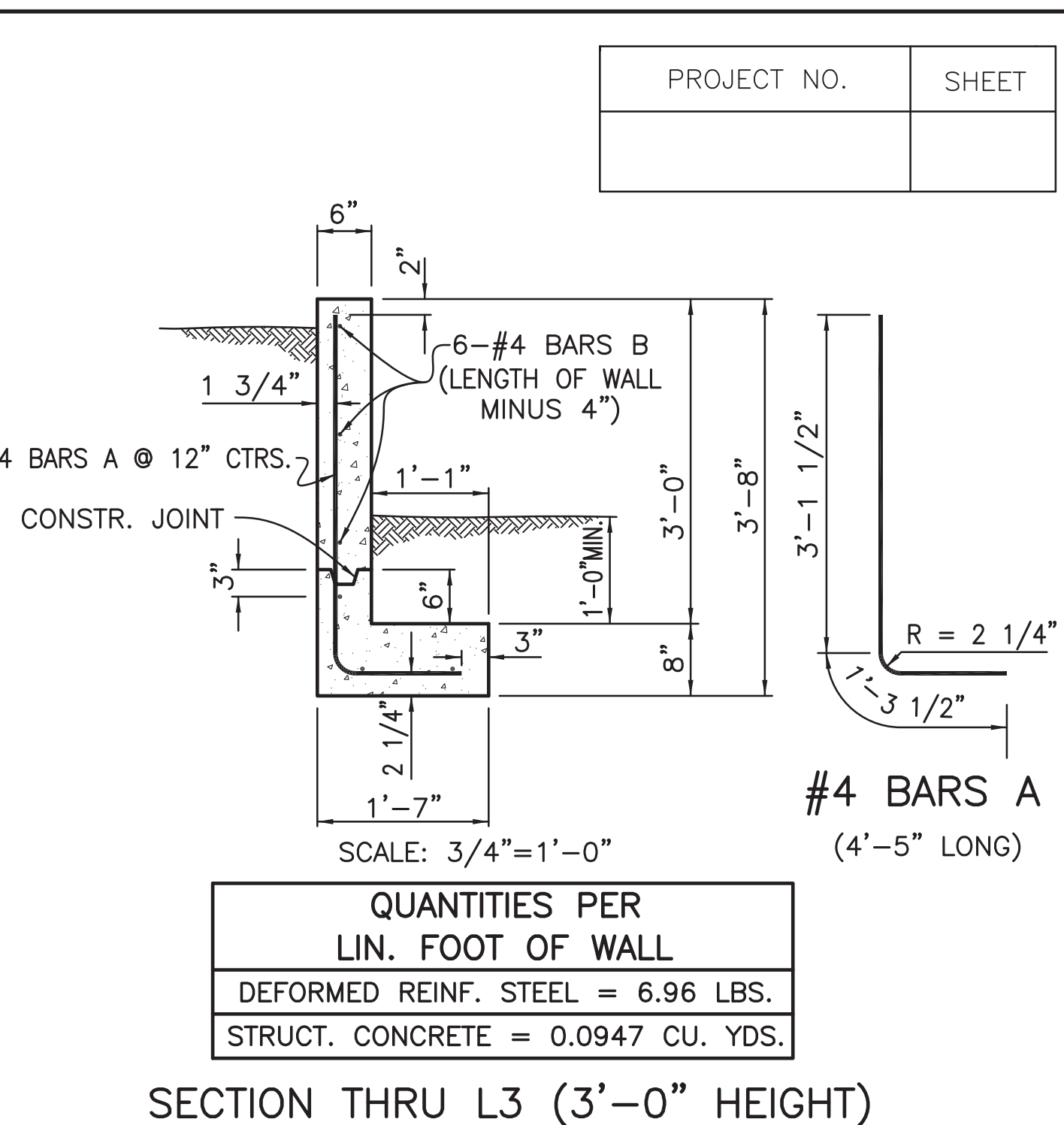
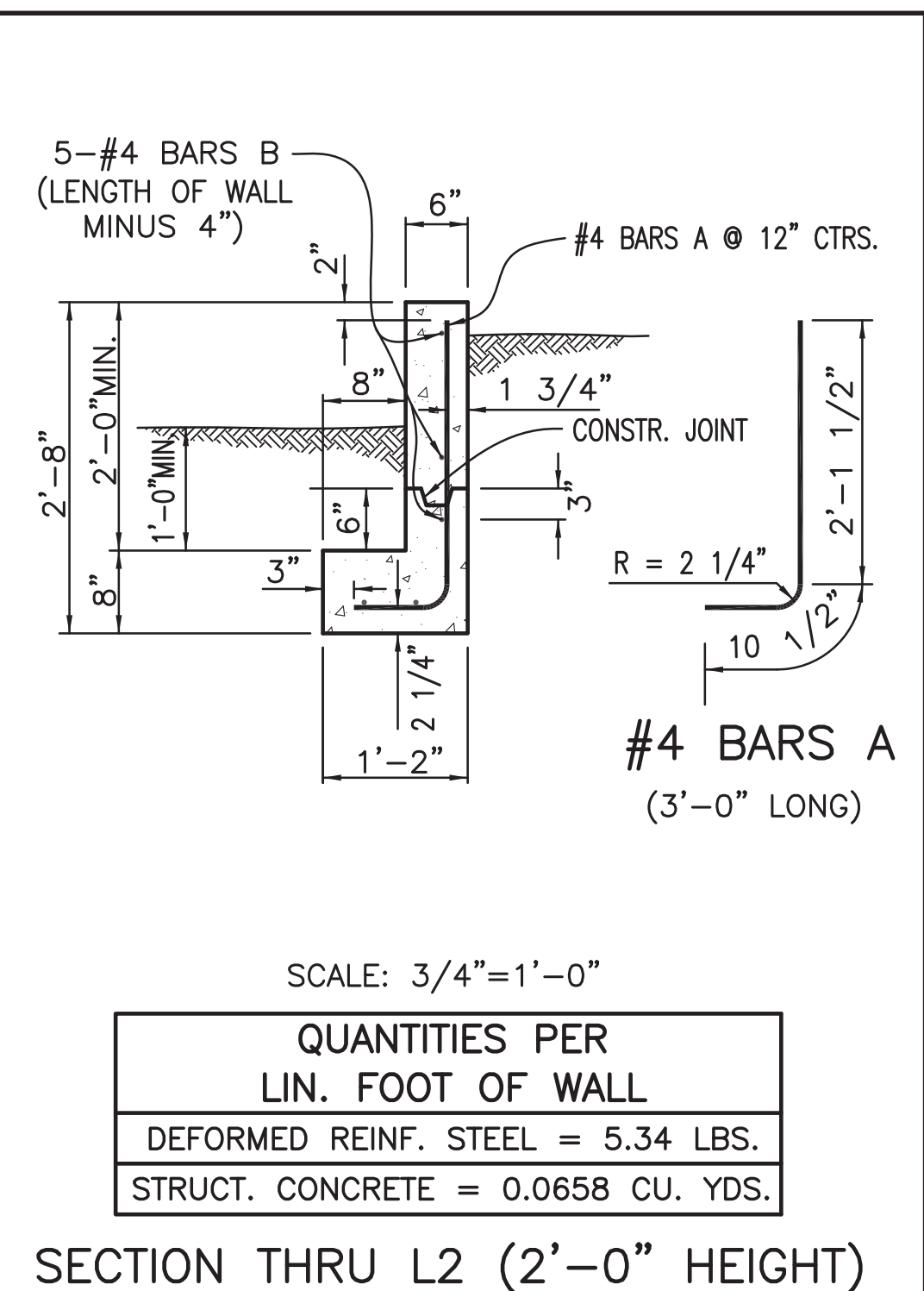
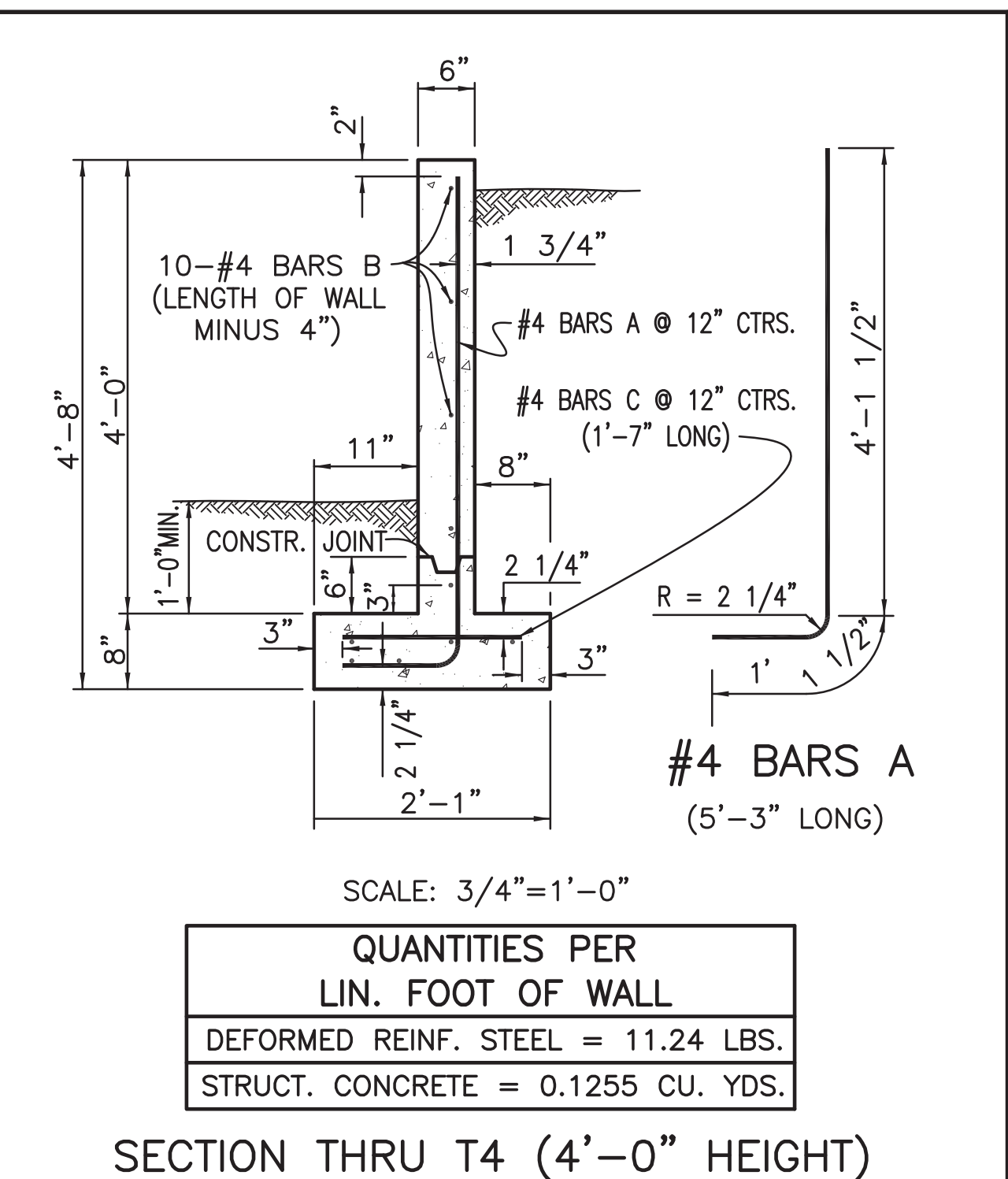
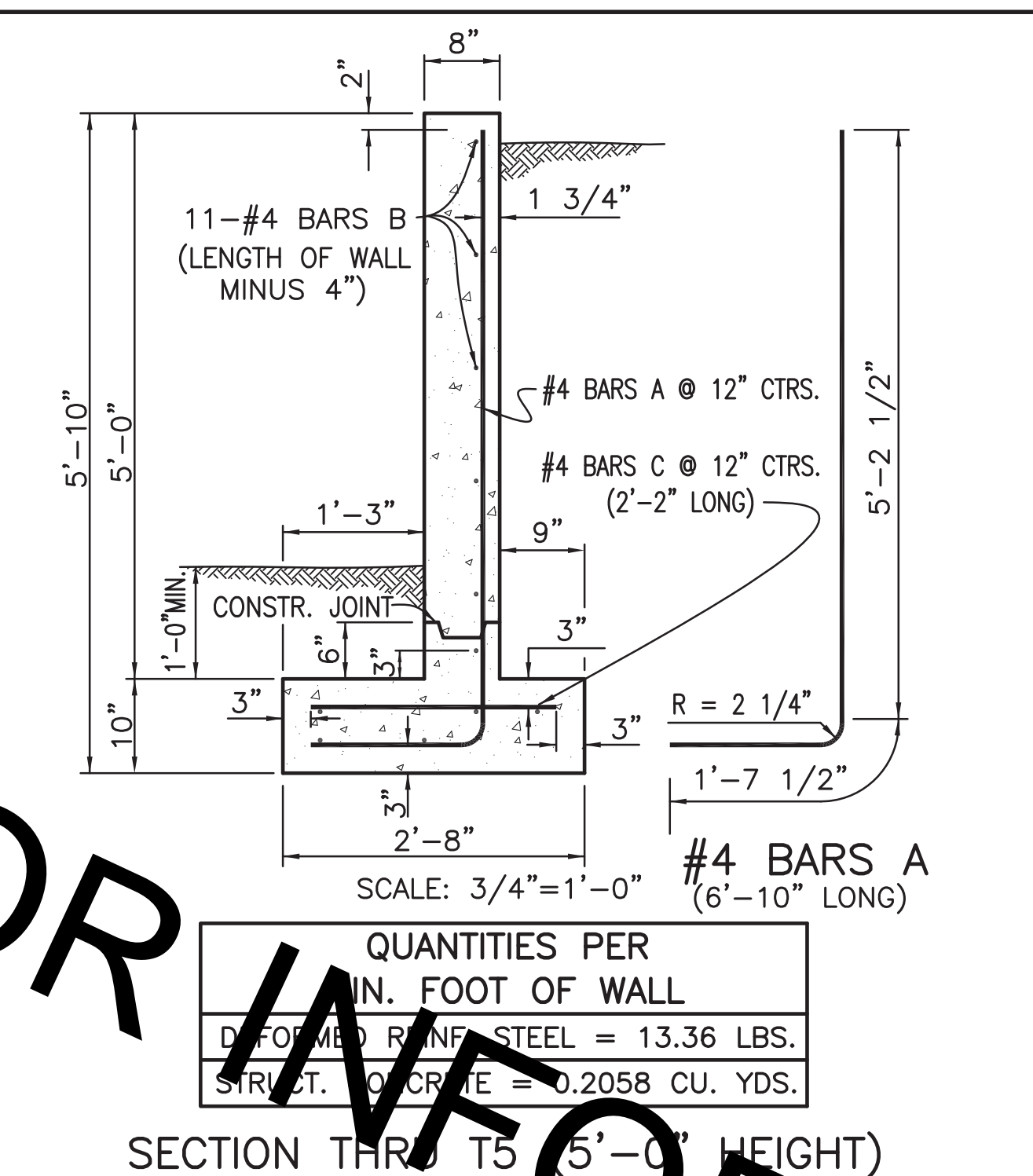
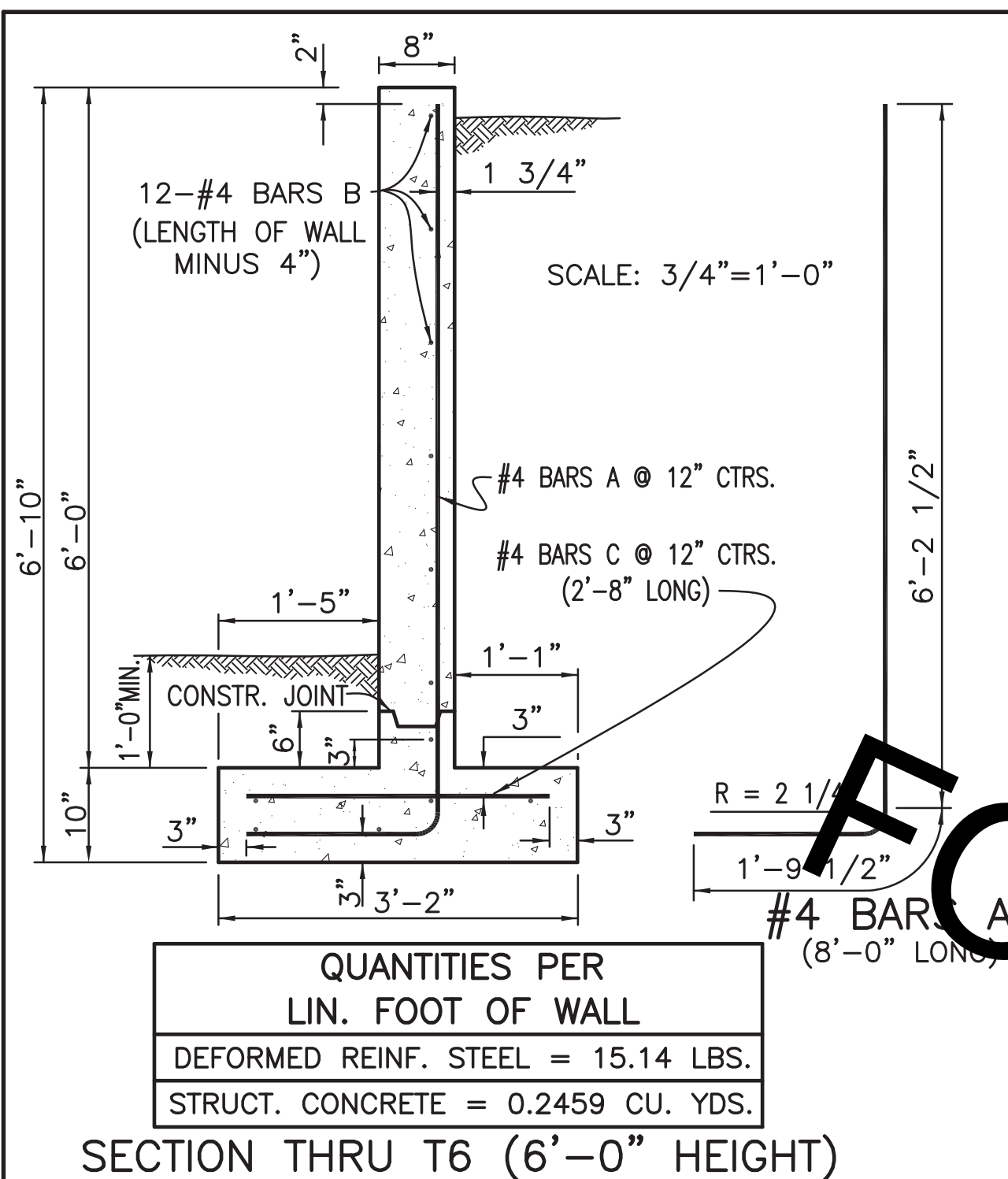


PROJECT NO.	SHEET



STANDARD PLAN NO. 601-01	DATED FEBRUARY 18, 2008	SHEET NO. 1 OF 1
<b>MISCELLANEOUS RETAINING WALL DETAILS</b>		
ENGINEERING DIVISION DEPARTMENT OF PUBLIC WORKS CITY OF BATON ROUGE & PARISH OF EAST BATON ROUGE		
DESIGNED R. ELLIS	DRAWN G. VANNICE	CHECKED R. ELLIS
		APPROVED T. STEPHENS