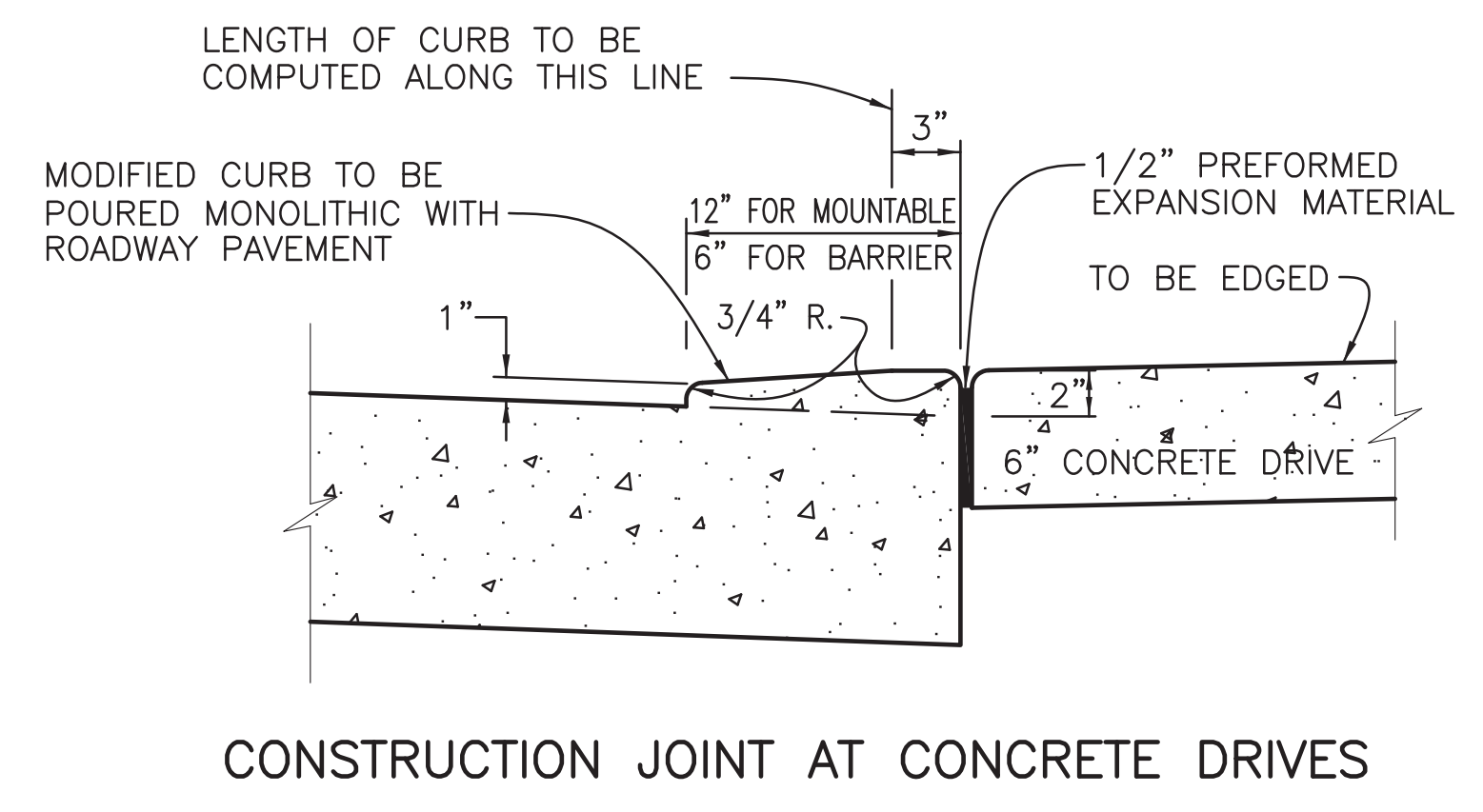
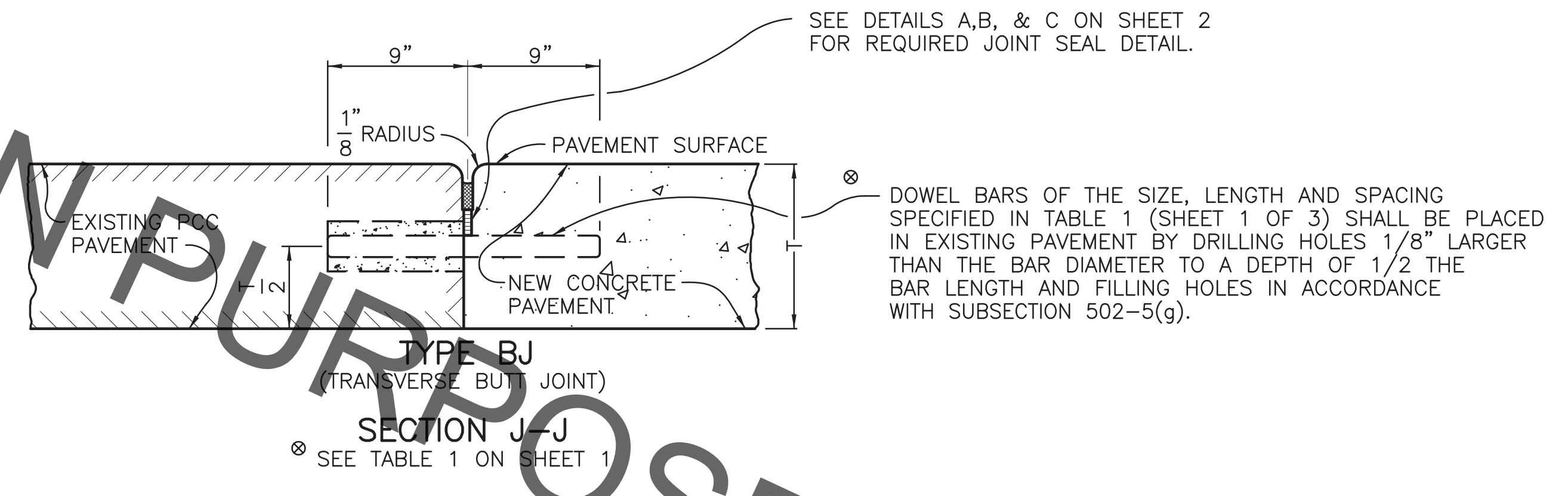
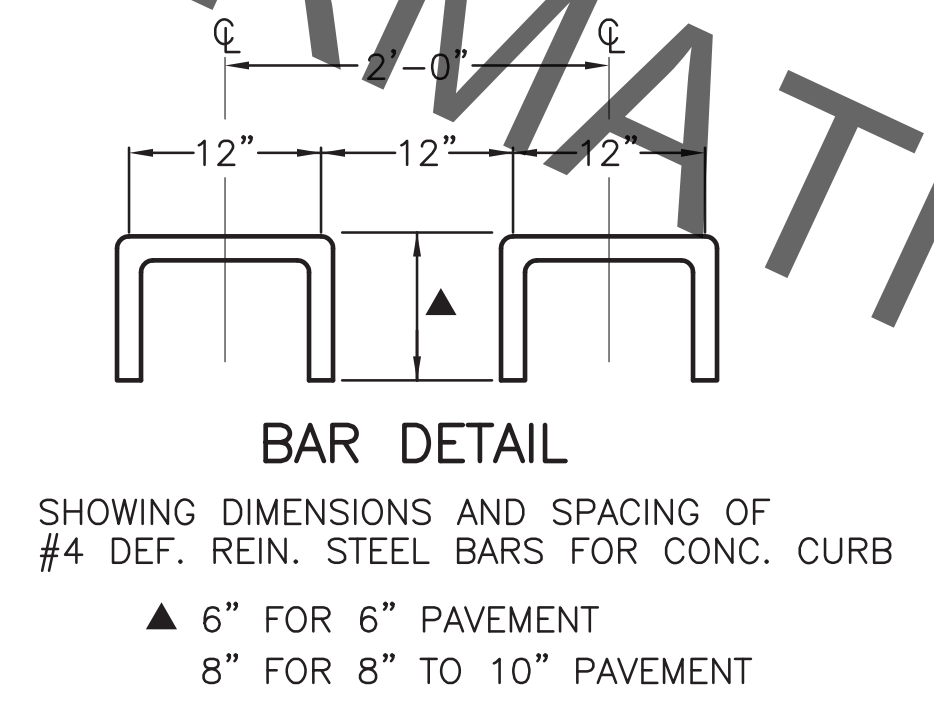
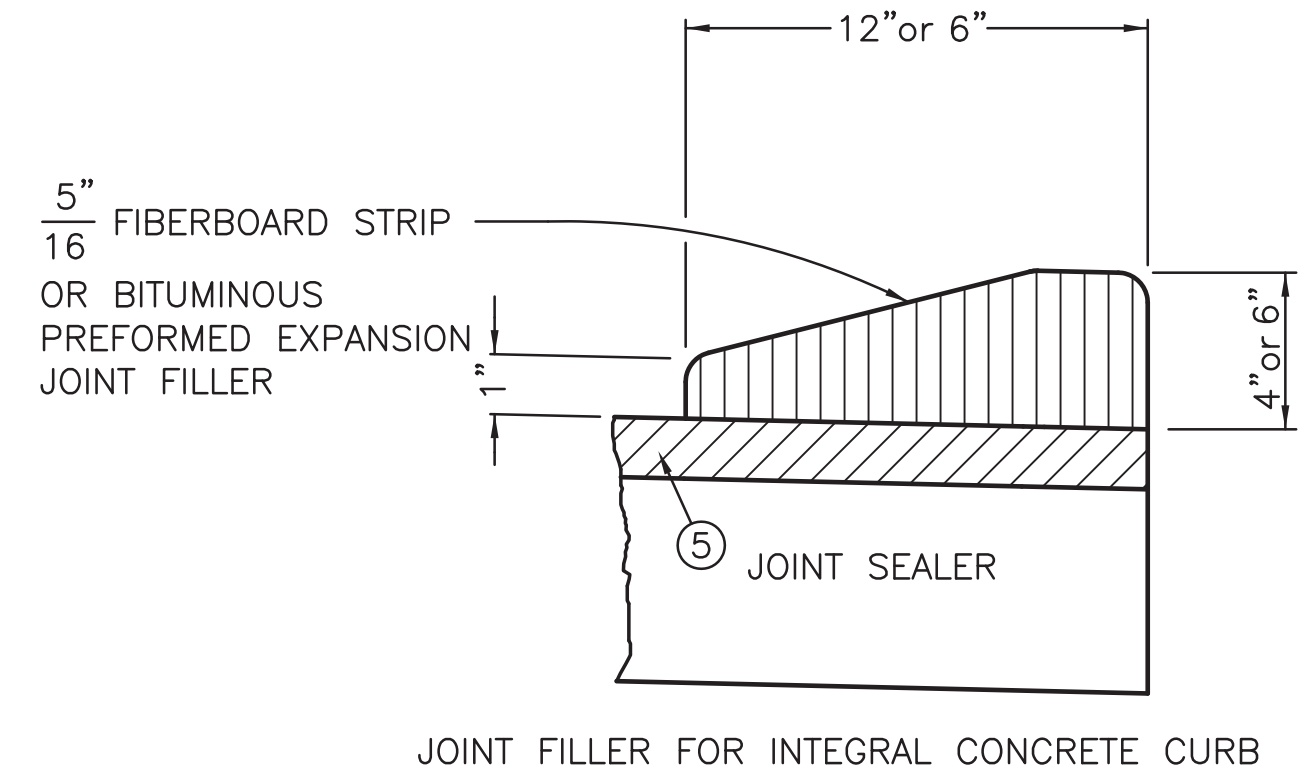
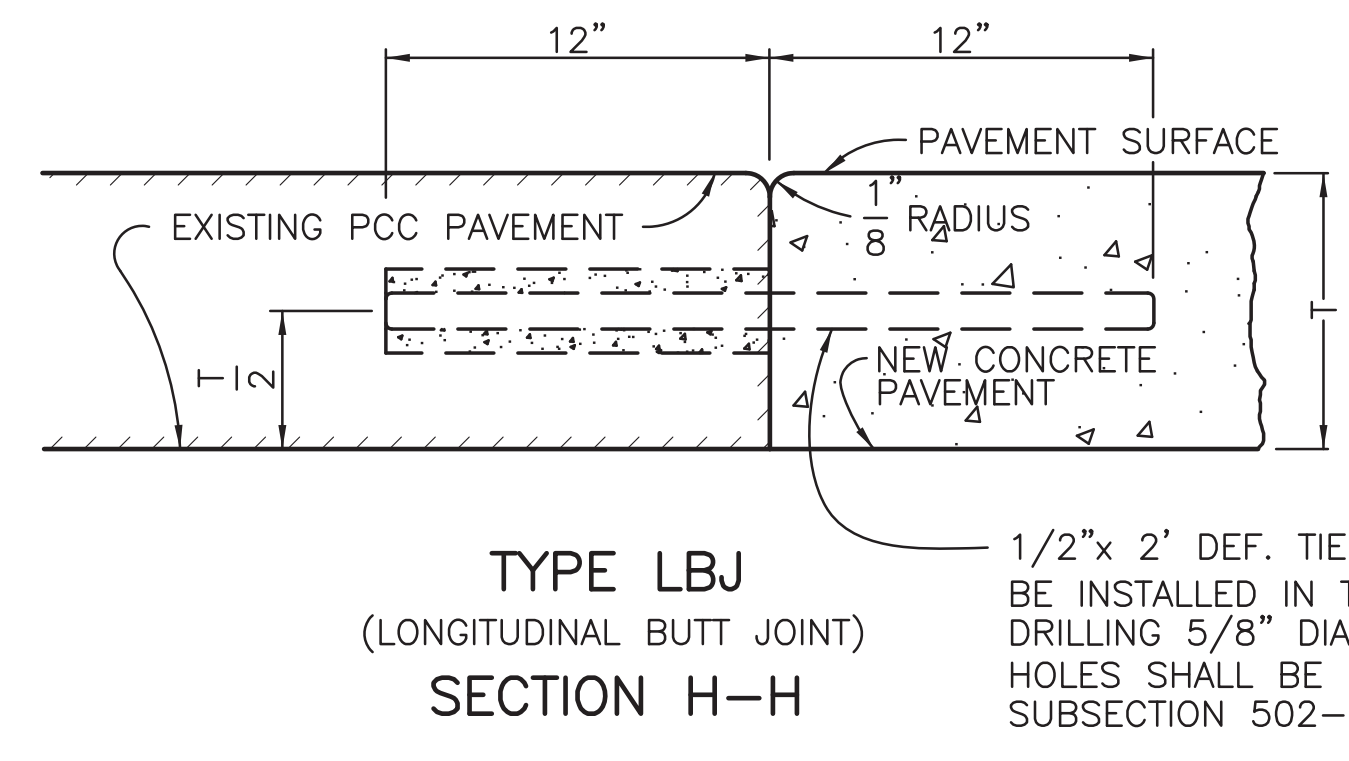
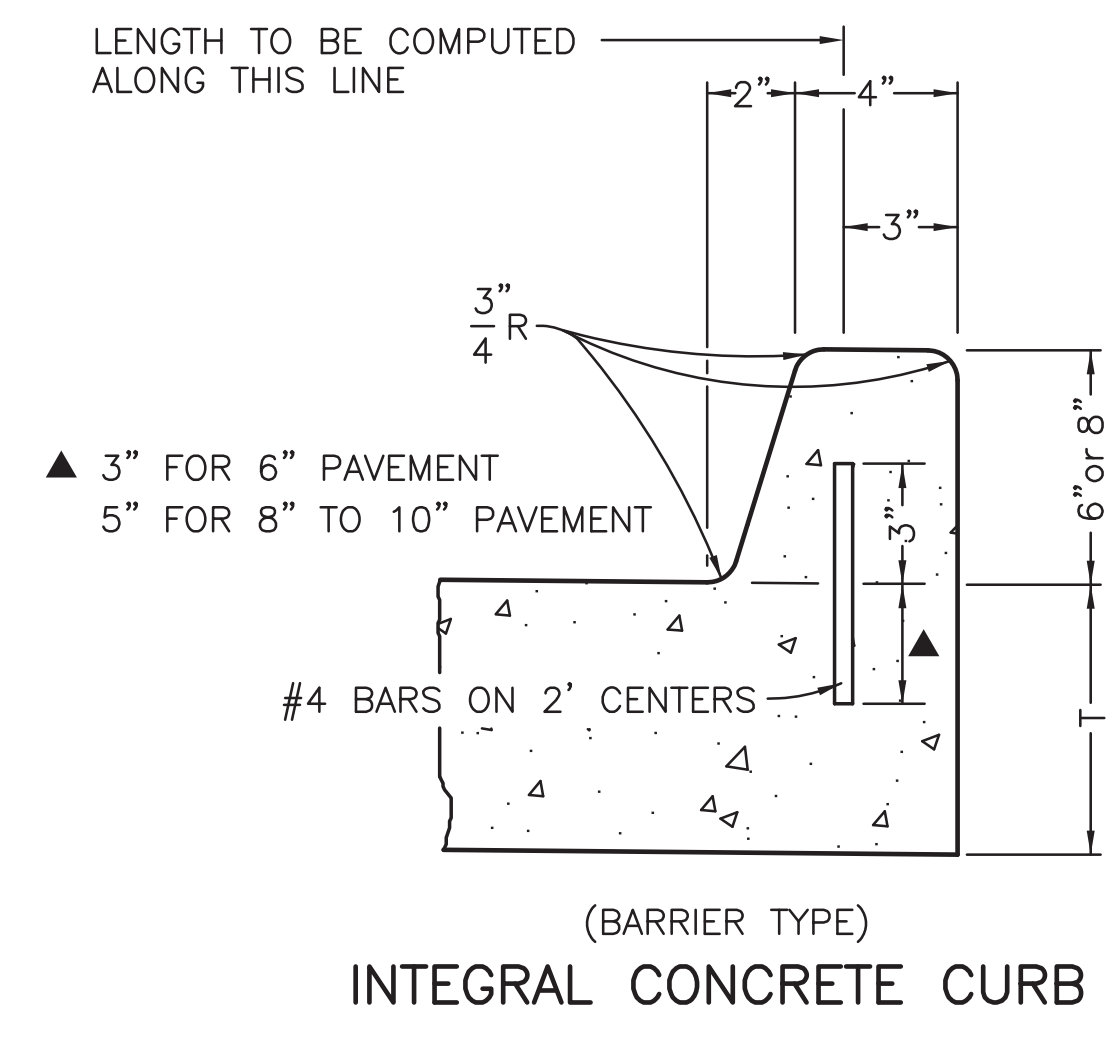
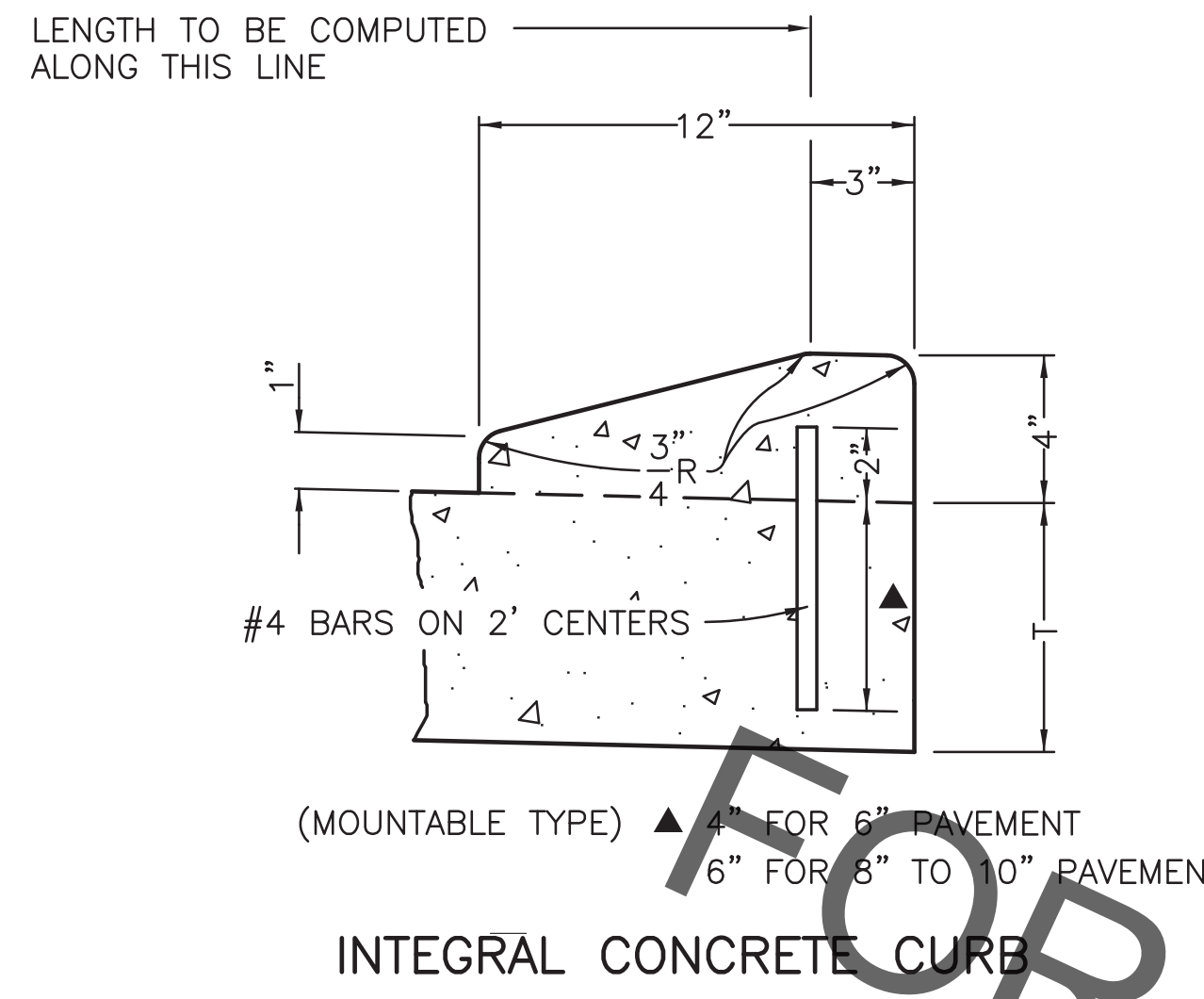


PROJECT NO.	SHEET



FOR INFORMATION PURPOSES ONLY

STATE OF LOUISIANA  
 THOMAS A. STEPHENS  
 License No. 15417  
 PROFESSIONAL ENGINEER  
 IN  
 CIVIL ENGINEERING  
 2/16/2018

STANDARD PLAN NO. 502-01	DATED January 18, 2008	SHEET NO. 3 OF 3
-----------------------------	---------------------------	---------------------

CONCRETE PAVEMENT  
DETAILS

ENGINEERING DIVISION DEPARTMENT OF PUBLIC WORKS CITY OF BATON ROUGE & PARISH OF EAST BATON ROUGE			
DESIGNED	DRAWN	CHECKED	APPROVED
R.E.E./N.A.R.	G. VANNICE	N.A.R./R.E.E.	T. STEPHENS

DATE	DESCRIPTION	BY
	REVISIONS	