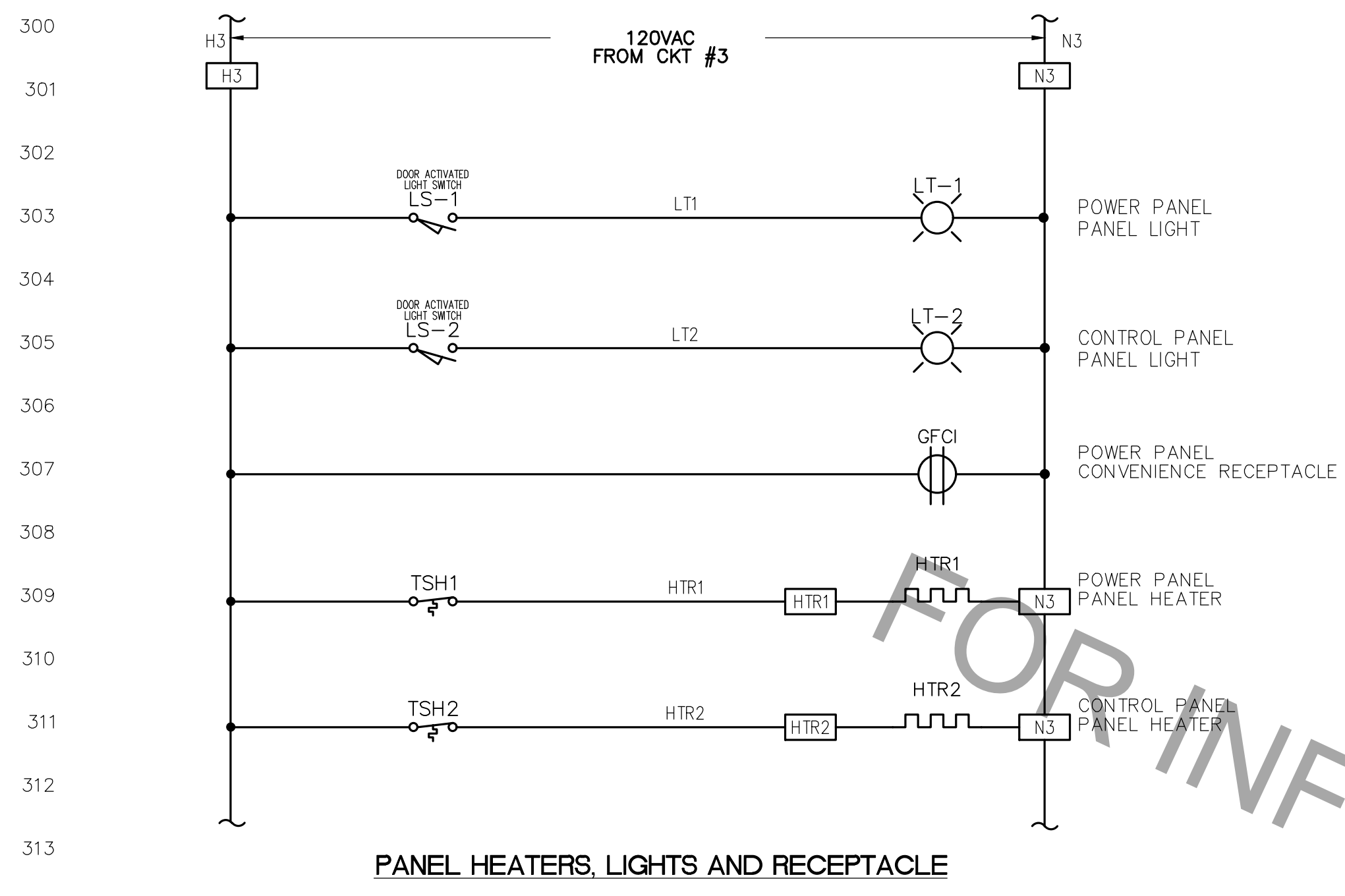
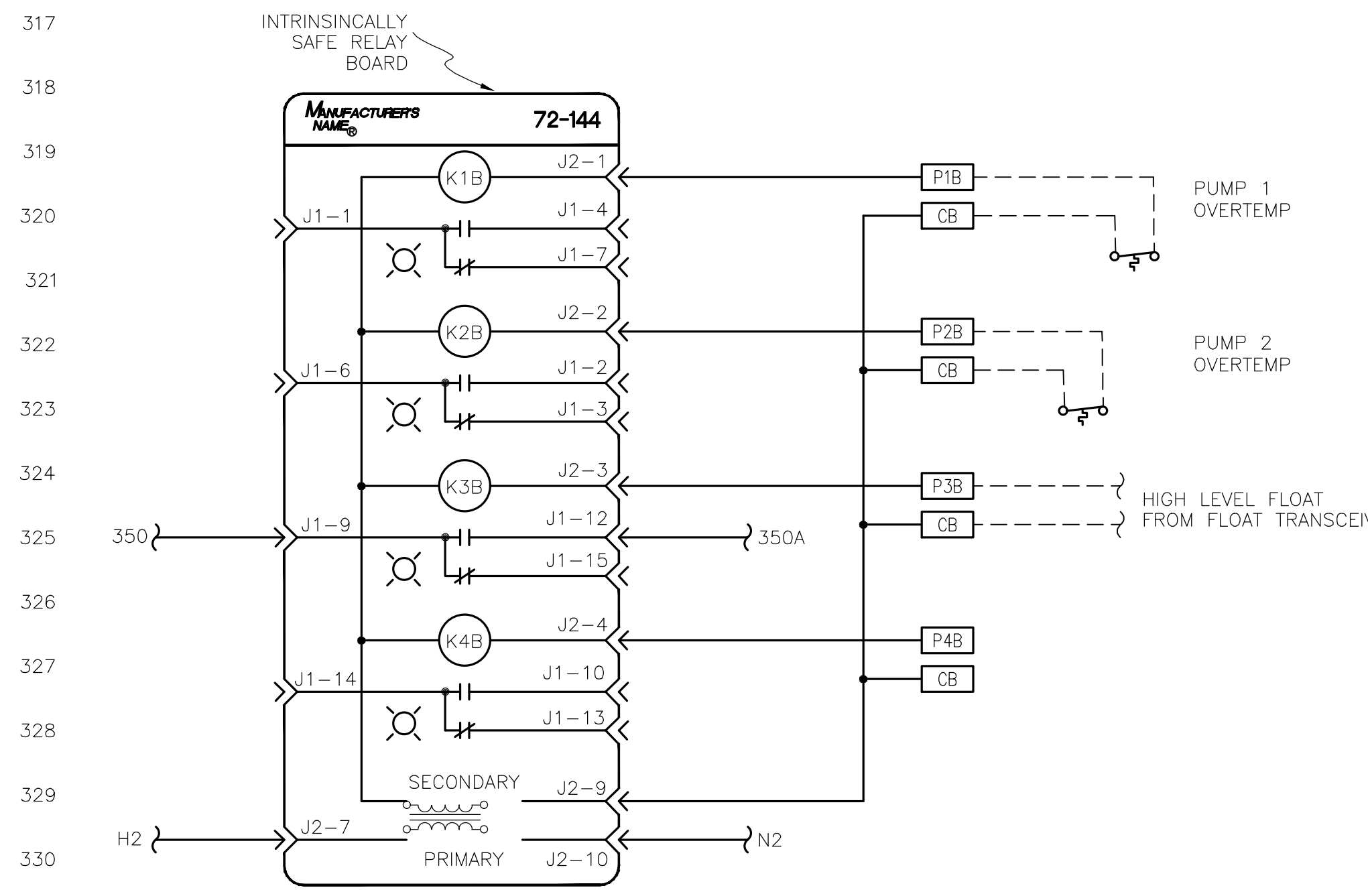


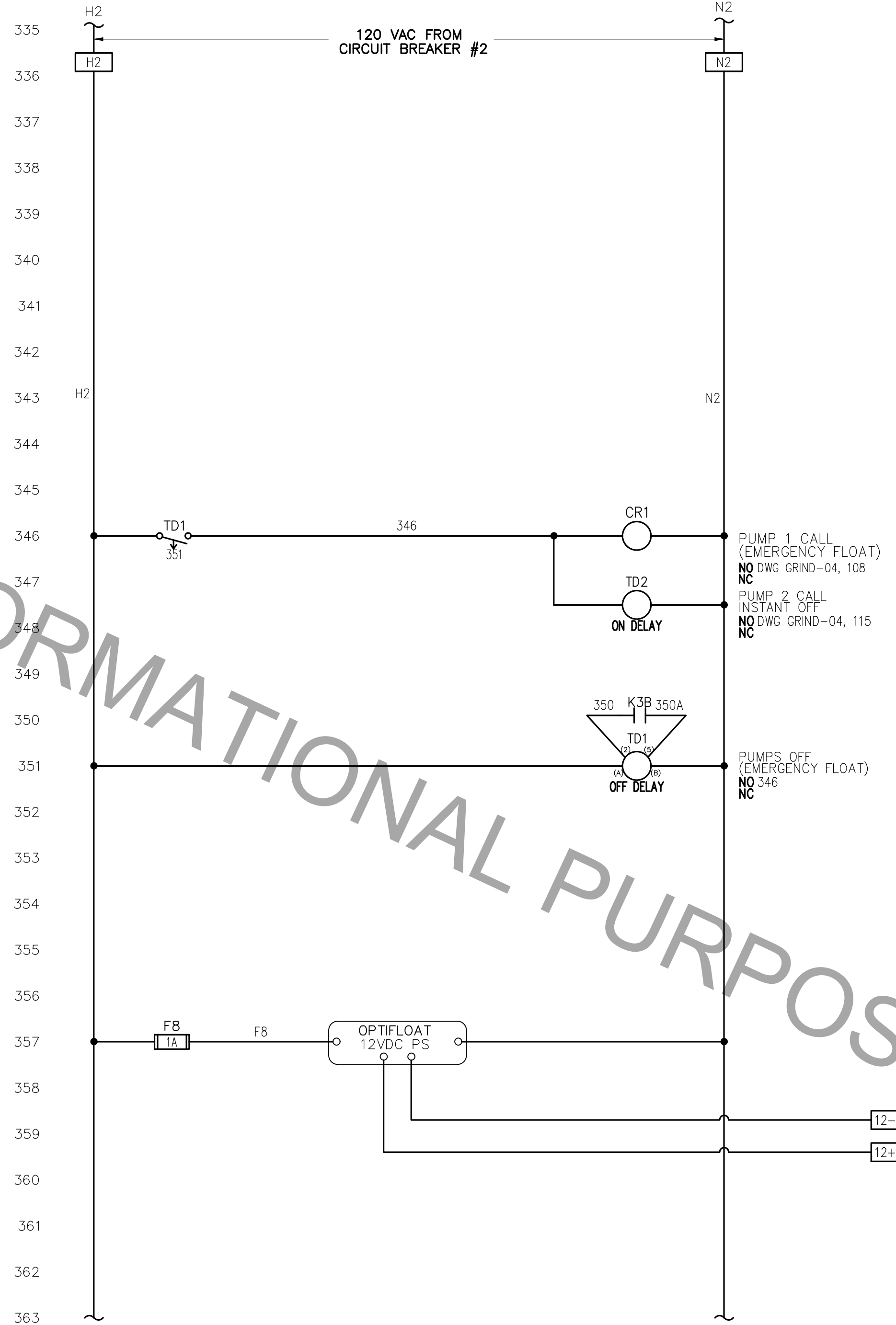
PROJECT NO.	SHEET



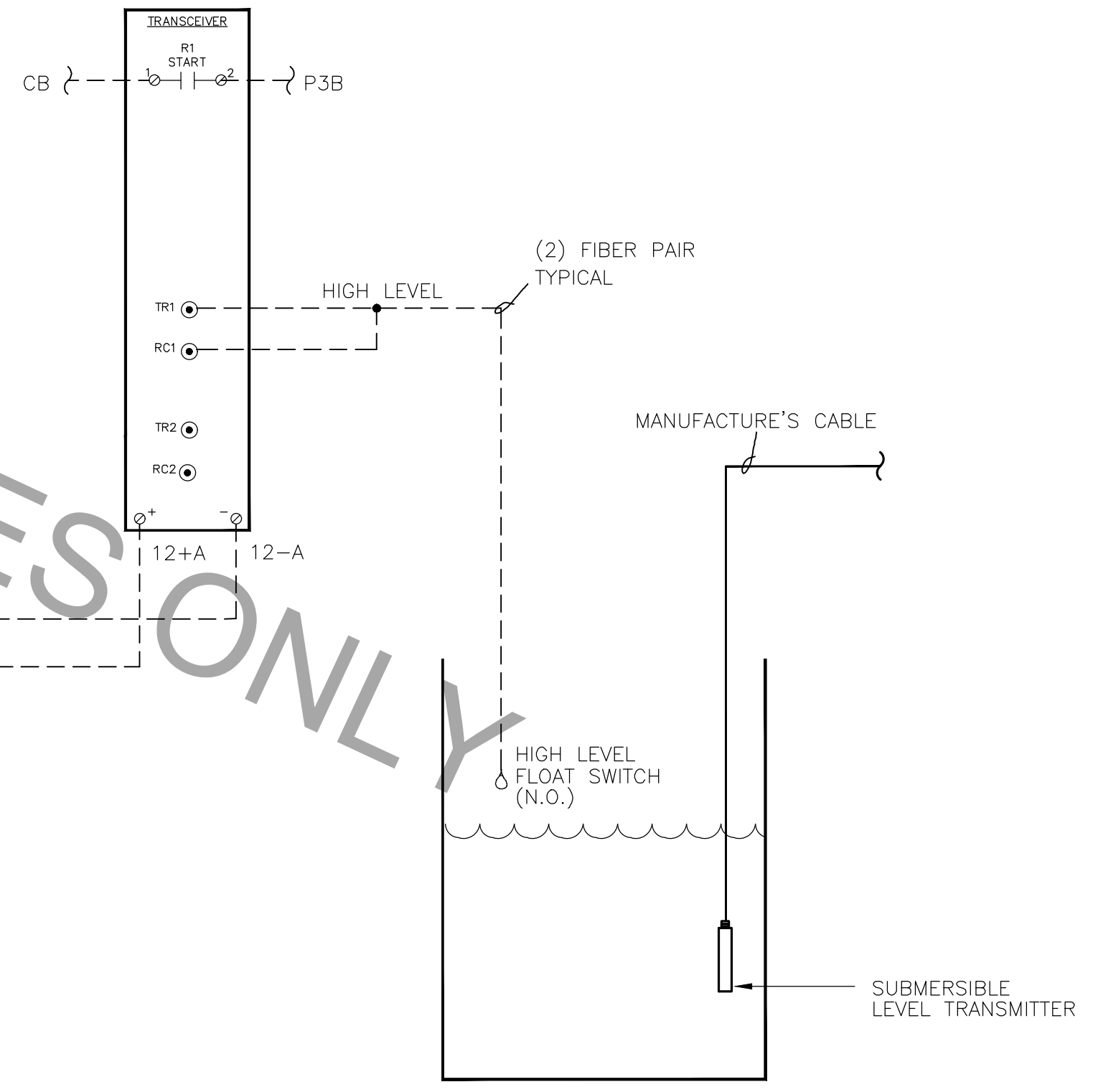
PANEL HEATERS, LIGHTS AND RECEPTACLE



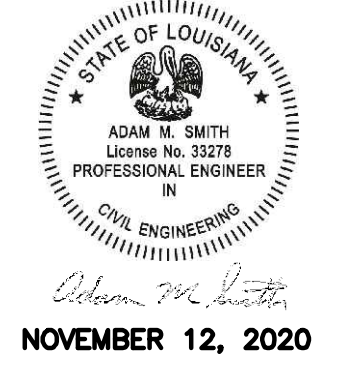
PROBE BOARD



REACTIVE AIR SYSTEM MISCELLANEOUS WIRING DIAGRAM



REACTIVE AIR SYSTEM PNEUMATIC AIR DIAGRAM



STANDARD PLAN NO. 805-21	DATED NOVEMBER 12, 2020	SHEET NO. 2 OF 3
-----------------------------	----------------------------	---------------------

PLC POWER DISTRIBUTION AND PUMP CONTROL DIAGRAM (TYPE IA STATION)

ENGINEERING DIVISION DEPARTMENT OF PUBLIC WORKS CITY OF BATON ROUGE & PARISH OF EAST BATON ROUGE			
DESIGNED	DRAWN	CHECKED	APPROVED
A. SMITH	S. CORTEZ		

DATE	DESCRIPTION REVISIONS	BY