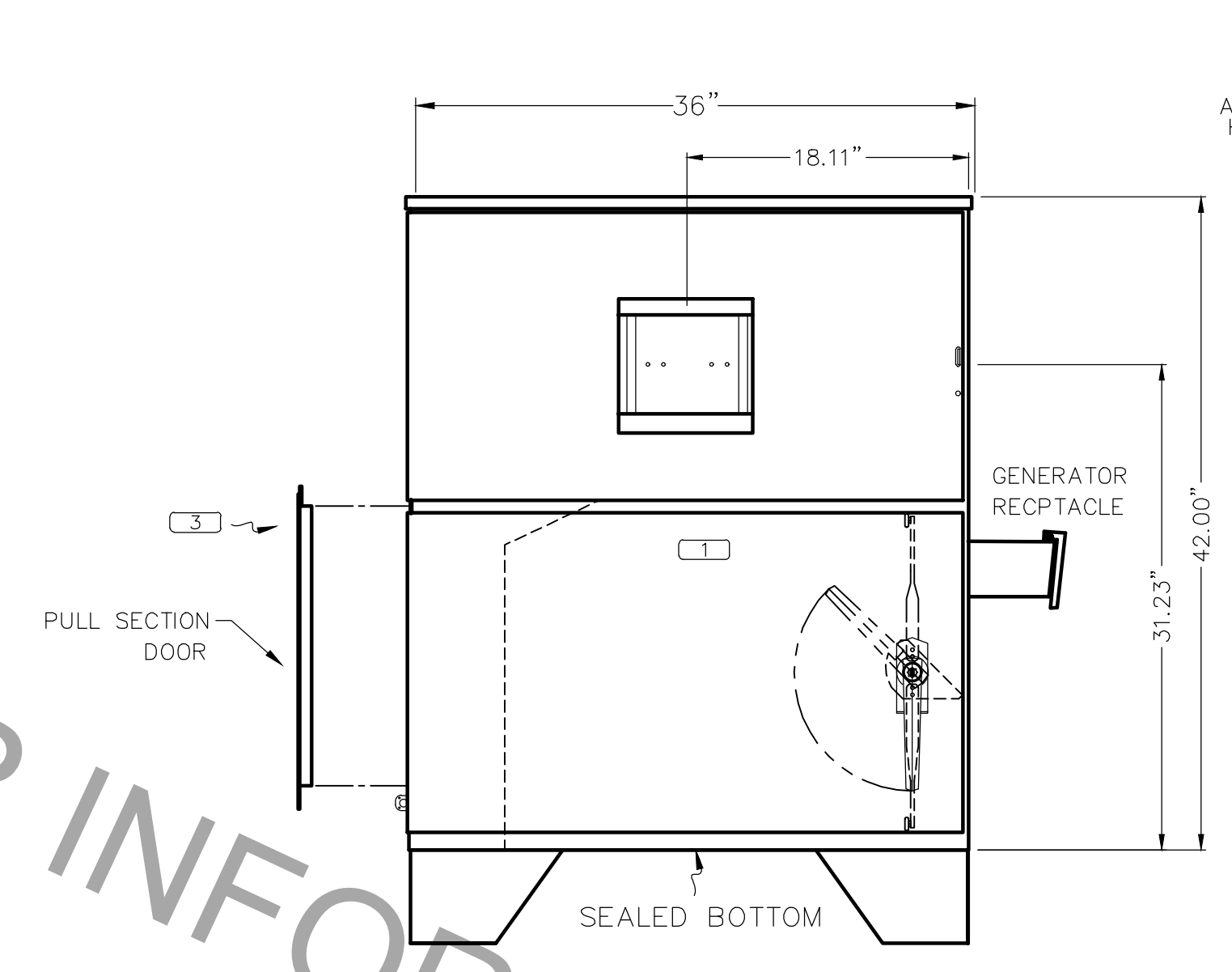
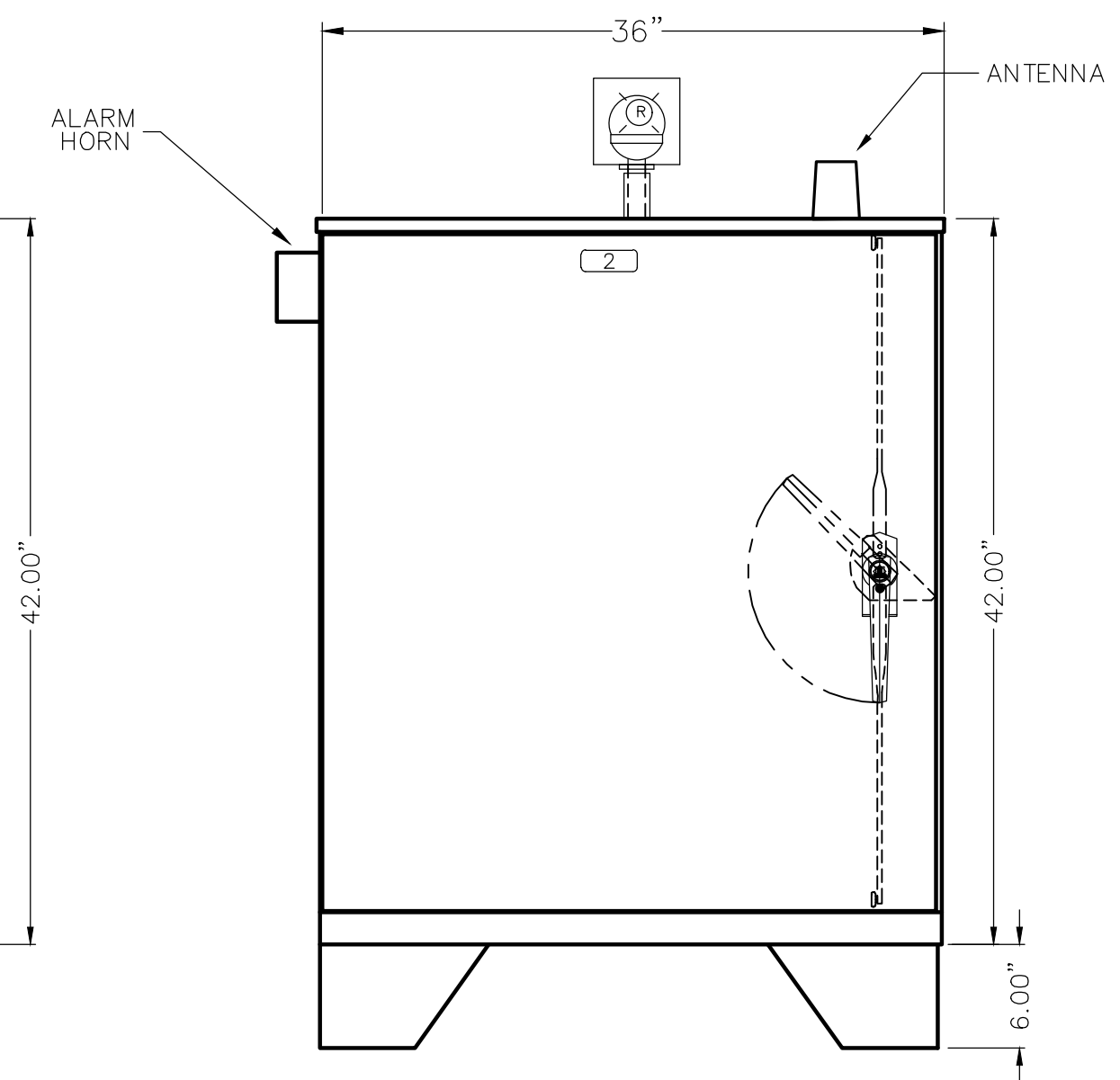


PROJECT NO.	SHEET

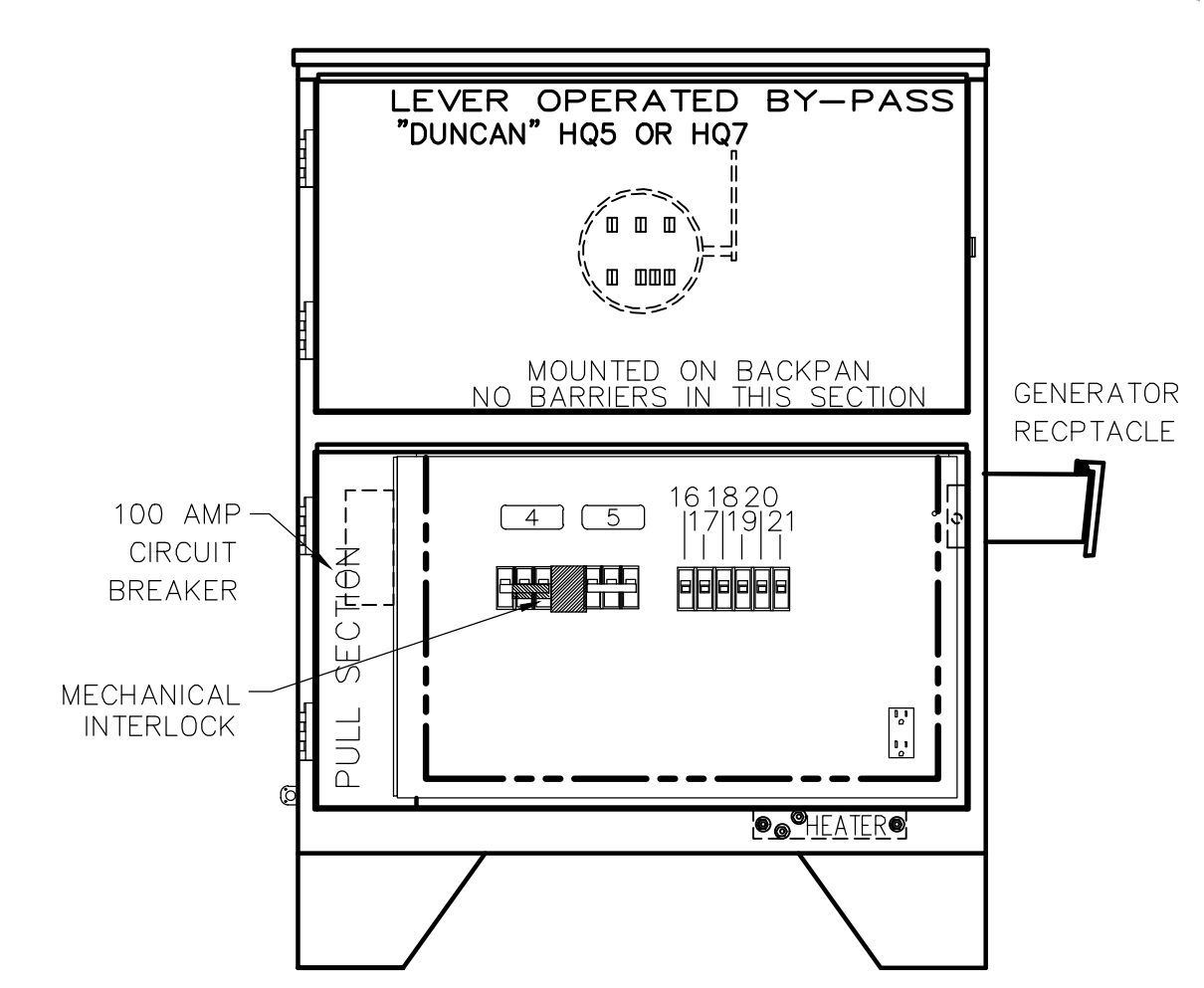
NAMEPLATE SCHEDULE			
WHITE TEXT ON BLACK BACKGROUND			
TAG#	QTY	TYPE	INSCRIPTION
1	1	1"x4" PLATE	LIFT STATION PUMP 1 & 2
2	1	1"x4" PLATE	LIFT STATION CONTROL PANEL
3	1	.75"x3" PLATE	UTILITY SERVICE DISCONNECT
4	1	.75"x3" PLATE	MAIN SERVICE DISCONNECT
5	1	.75"x3" PLATE	GENERATOR DISCONNECT
6	1	.75"x3" PLATE	PUMP 1 DISCONNECT
7	1	.75"x3" PLATE	PUMP 2 DISCONNECT
8	1	RING PLATE	PUMP 1 RUNNING
9	1	RING PLATE	PUMP 1 FAILURE
10	1	RING PLATE	PUMP 1 HAND OFF AUTO
11	1	RING PLATE	PUMP 2 RUNNING
12	1	RING PLATE	PUMP 2 FAILURE
13	1	RING PLATE	PUMP 2 HAND OFF AUTO
14	1	.75"x3" PLATE	PUMP 1 AMPS
15	1	.75"x3" PLATE	PUMP 2 AMPS
16	1	.75"x3" PLATE	LIQ III & LEVEL CONTROLS
17	1	.75"x3" PLATE	PUMP CONTROLS
18	1	.75"x3" PLATE	HEATERS, LIGHTS & RECEPTACLE
19	1	.75"x3" PLATE	SPARE
20	1	.75"x3" PLATE	SPARE
21	1	.75"x3" PLATE	SPARE
A	0	.5"x1.5" PLATE	
B	0	.5"x1.5" PLATE	
C	1	.5"x1.5" PLATE	HIGH LEVEL FLOAT
D	0	.5"x1.5" PLATE	
E	1	.5"x1.5" PLATE	RESET



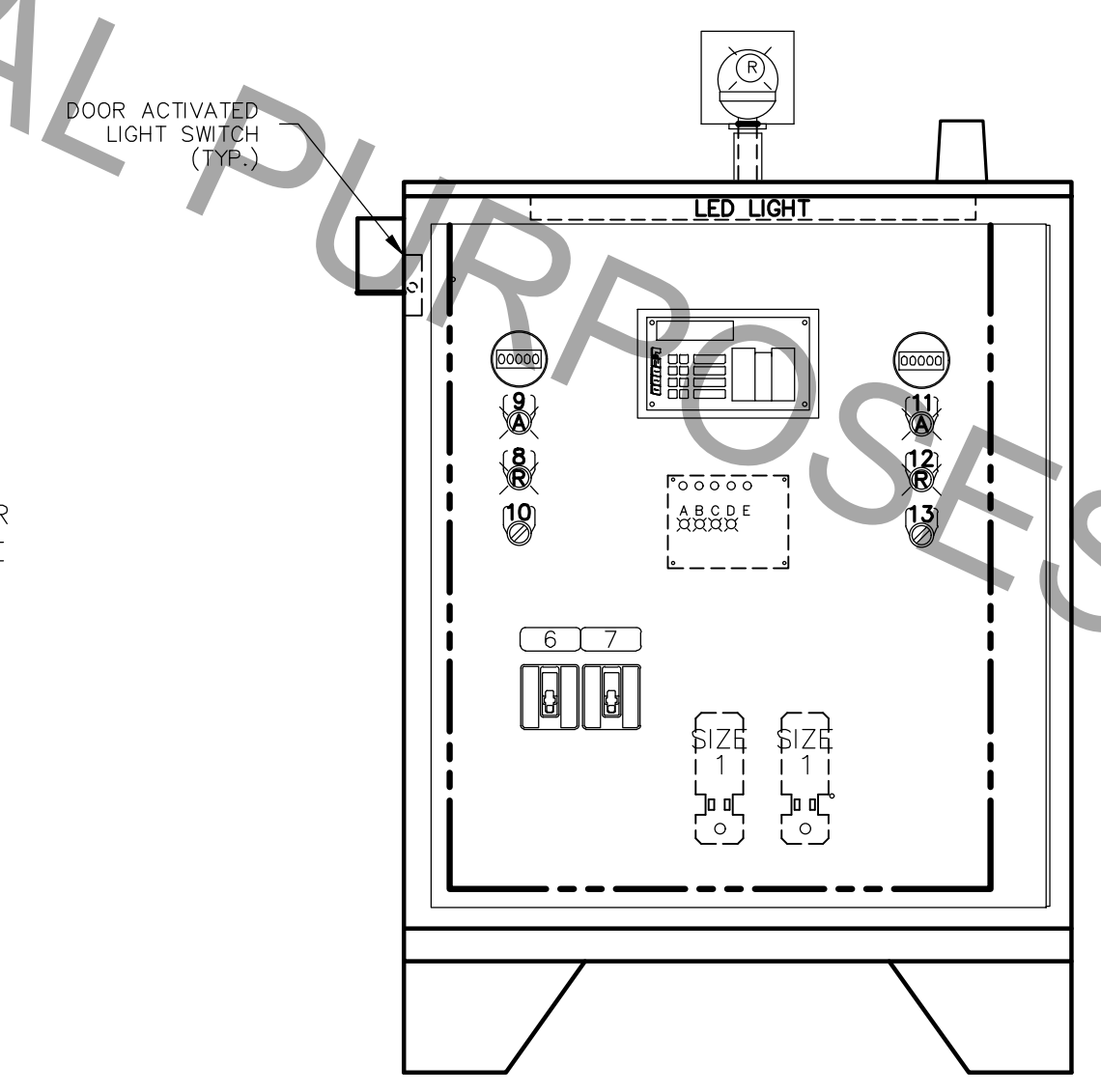
**METER AND PUMP CONTROL SECTION  
PANEL ELEVATION**



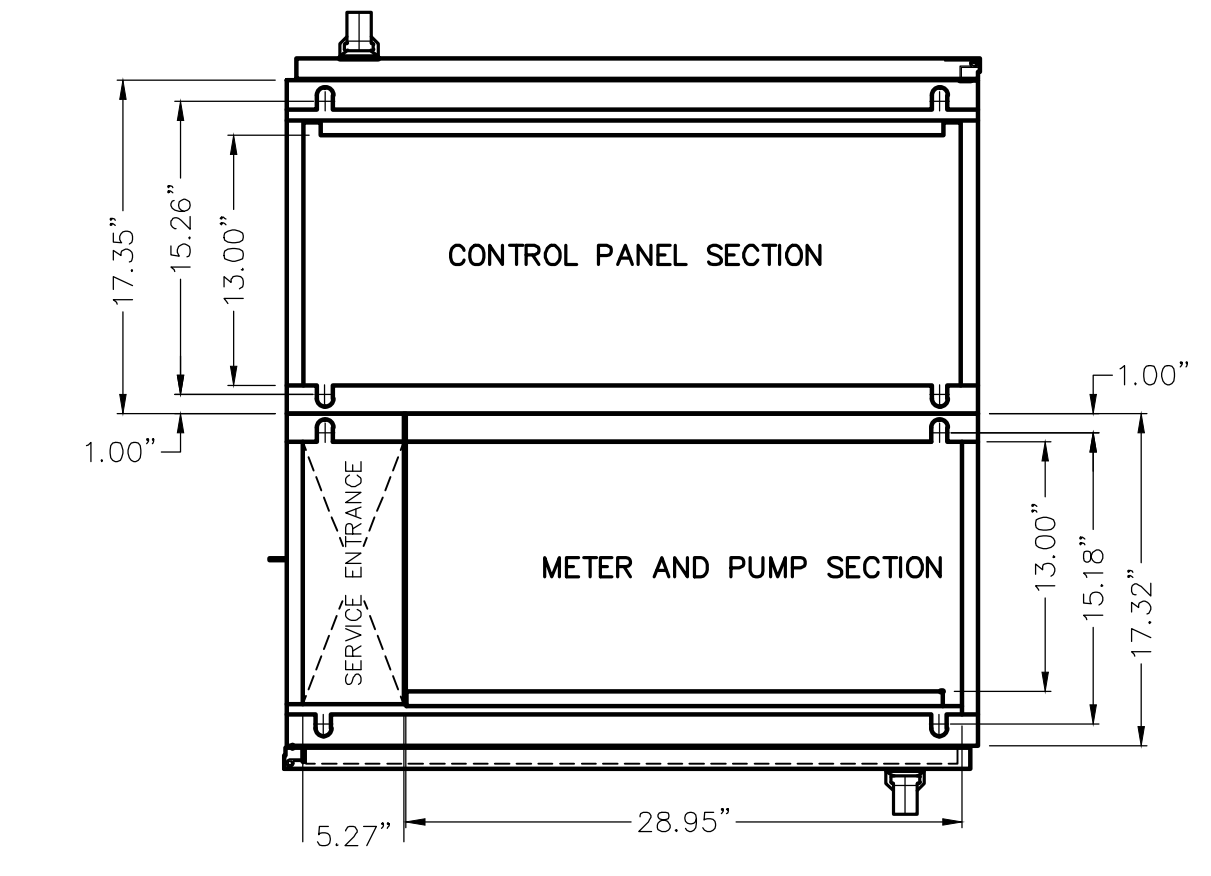
**CONTROL PANEL SECTION  
PANEL ELEVATION**



**METER AND PUMP CONTROL SECTION  
DEADFRONT LAYOUT**  
(SHOWN WITH OUTER DOORS REMOVED)



**CONTROL PANEL SECTION  
DEADFRONT LAYOUT**  
(SHOWN WITH OUTER DOORS REMOVED)



**PANEL BASE PLAN**

<b>MANUFACTURER'S NAME</b>		MANUFACTURER'S NAME		PHONE # (504) 000-0000	
# T-GRIND		LOCATION ADDRESS		# 24-000	
INDUSTRIAL CONTROL PANEL					
VOLTAGE	PHASE	WIRES	MAINS AMPERES	HZ	
240	3	4	100	60	
SUITABLE FOR USE ON A CIRCUIT CAPABLE OF DELIVERING NOT MORE THAN:					
AMPERES		AT		VOLTAGE	
35,000		RMS SYM.		240 V	
METER SOCKET RATING 100 A. CONT.					
ENCLOSURE: TYPE 3RX					

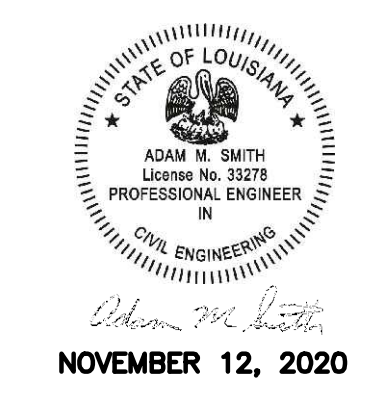
**NAME PLATE EXAMPLE**

**ENCLOSURE CONSTRUCTION NOTES**

- EXTERIOR 14 GA. 304 STAINLESS STEEL AND INTERIOR 14 GA. COLD ROLLED STEEL ELECTRICALLY WELDED AND REINFORCED WHERE REQUIRED.
- CONSTRUCTION WILL BE NEMA 3RX.
- ALL NUTS, BOLTS, SCREWS AND HINGES WILL BE STAINLESS STEEL.
- NUTS, BOLTS & SCREWS WILL NOT BE VISIBLE FROM OUTSIDE OF ENCLOSURE.
- PHENOLIC NAMEPLATES WILL BE PROVIDED AS REQUIRED.
- CONTROL WIRING WILL BE MARKED AT BOTH ENDS BY PERMANENT WIRE MARKERS.
- A PLASTIC COVERED WIRING DIAGRAM WILL BE ATTACHED TO THE INSIDE OF THE FRONT DOOR.
- ENCLOSURE WILL BE FACTORY WIRED AND CONFORM TO REQUIRED NEMA STANDARDS.
- INTERIOR COLOR: WHITE, EXTERIOR COLOR: UNPAINTED

**COATING SYSTEM**

- INCLUDES A FIVE STAGE DIP TANK METAL PREPARATION PROCESS:
- ALKALINE CLEANER 160F.
  - CLEAR WATER RINSE.
  - IRON PHOSPHATE APPLICATION 150F.
  - CLEAR WATER RINSE.
  - INHIBITIVE RINSE TO SEAL PHOSPHATED SURFACES 120F
- FINISHED WITH AN ELECTROSTATICALLY APPLIED DRY POLYESTER POWDER COATING THEN BAKED @ 380F TO CURE.



STANDARD PLAN NO. <b>805-19</b>	DATED NOVEMBER 12, 2020	SHEET NO. 1 OF 2
------------------------------------	----------------------------	---------------------

**PEDESTAL MOUNT  
CONTROL PANEL DETAILS  
(TYPE IA STATION)**

ENGINEERING DIVISION			
DEPARTMENT OF PUBLIC WORKS			
CITY OF BATON ROUGE & PARISH OF EAST BATON ROUGE			
DESIGNED	DRAWN	CHECKED	APPROVED
A. SMITH	S. CORTEZ		

DATE	DESCRIPTION REVISIONS	BY