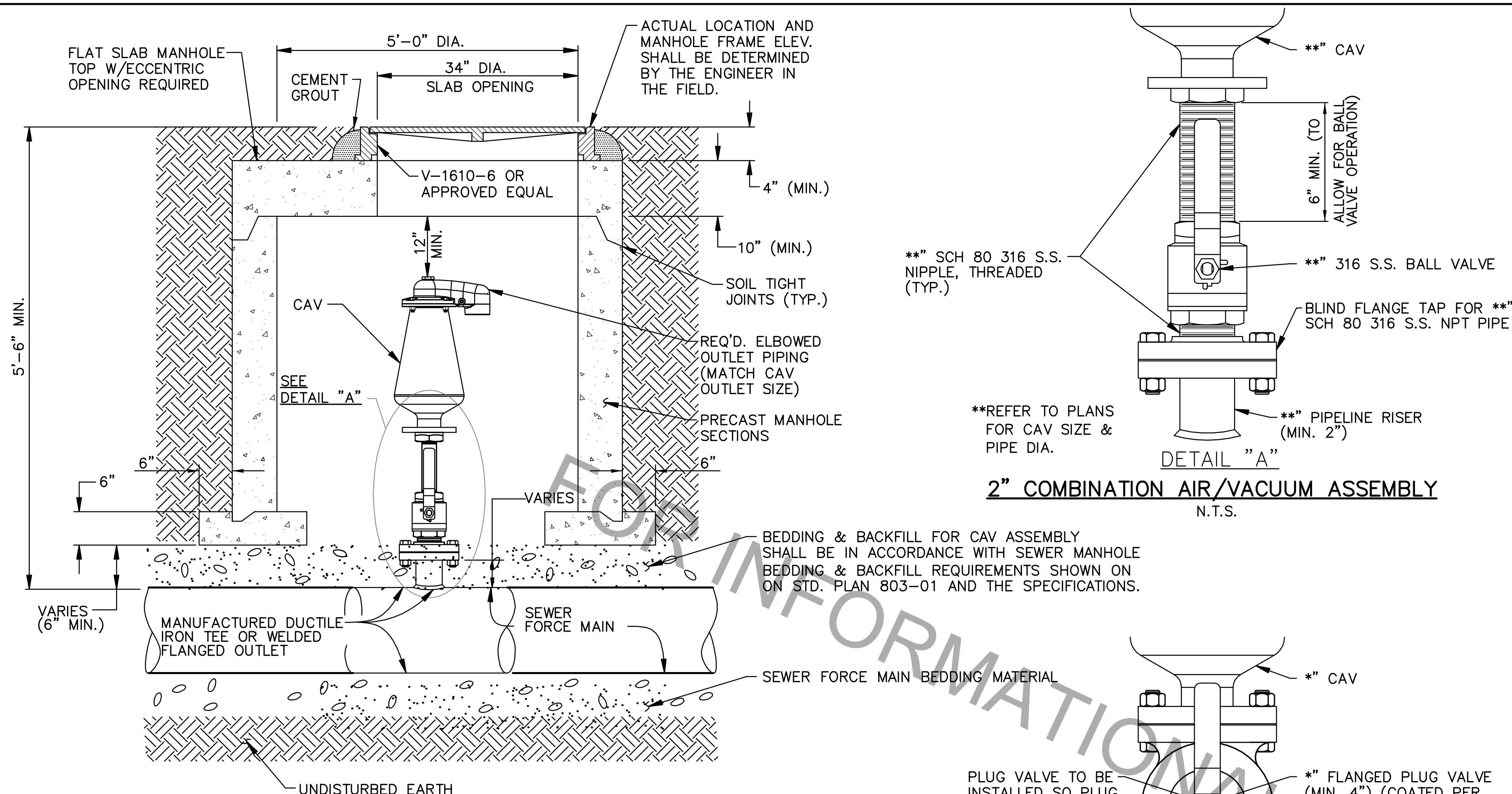
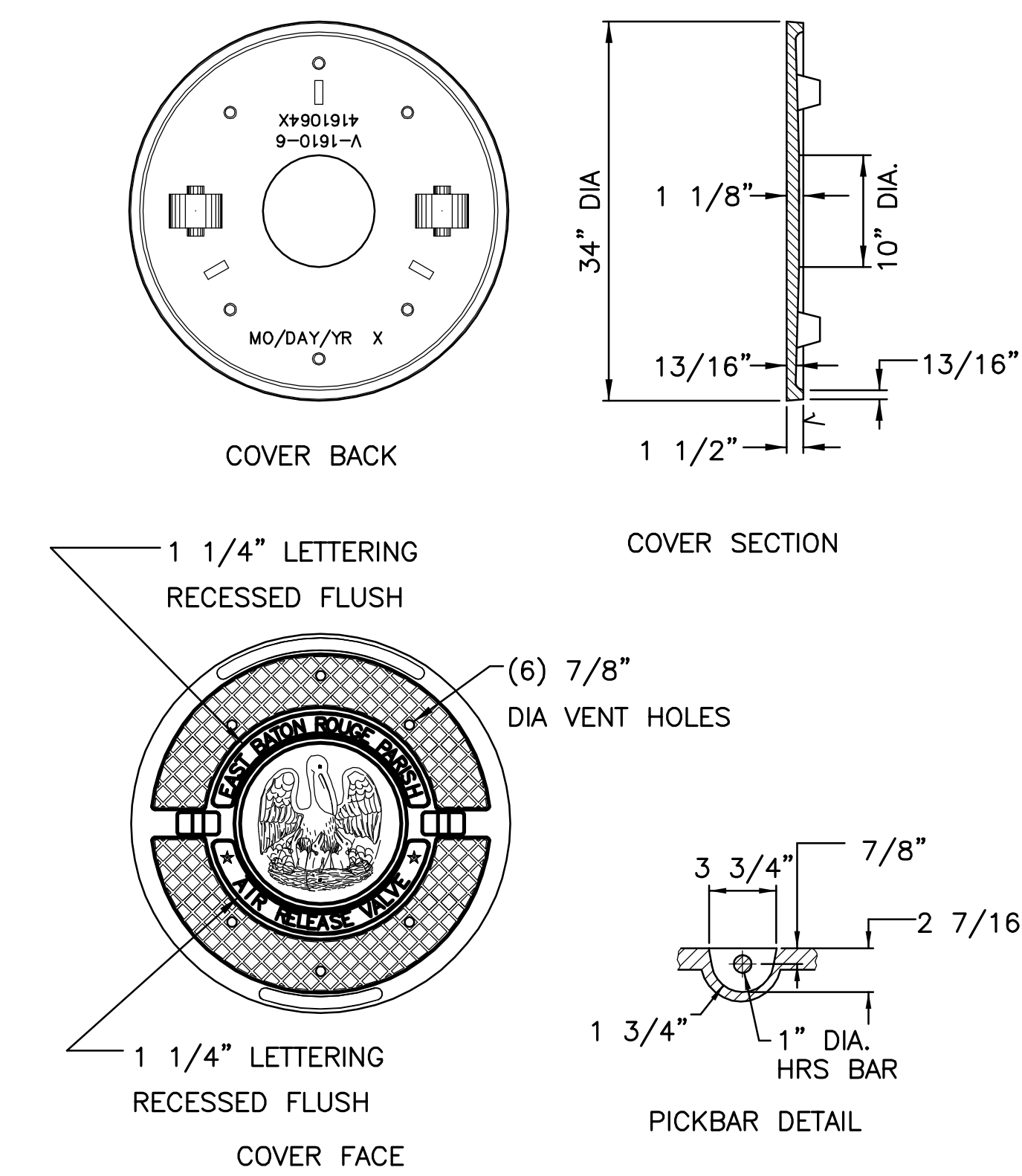


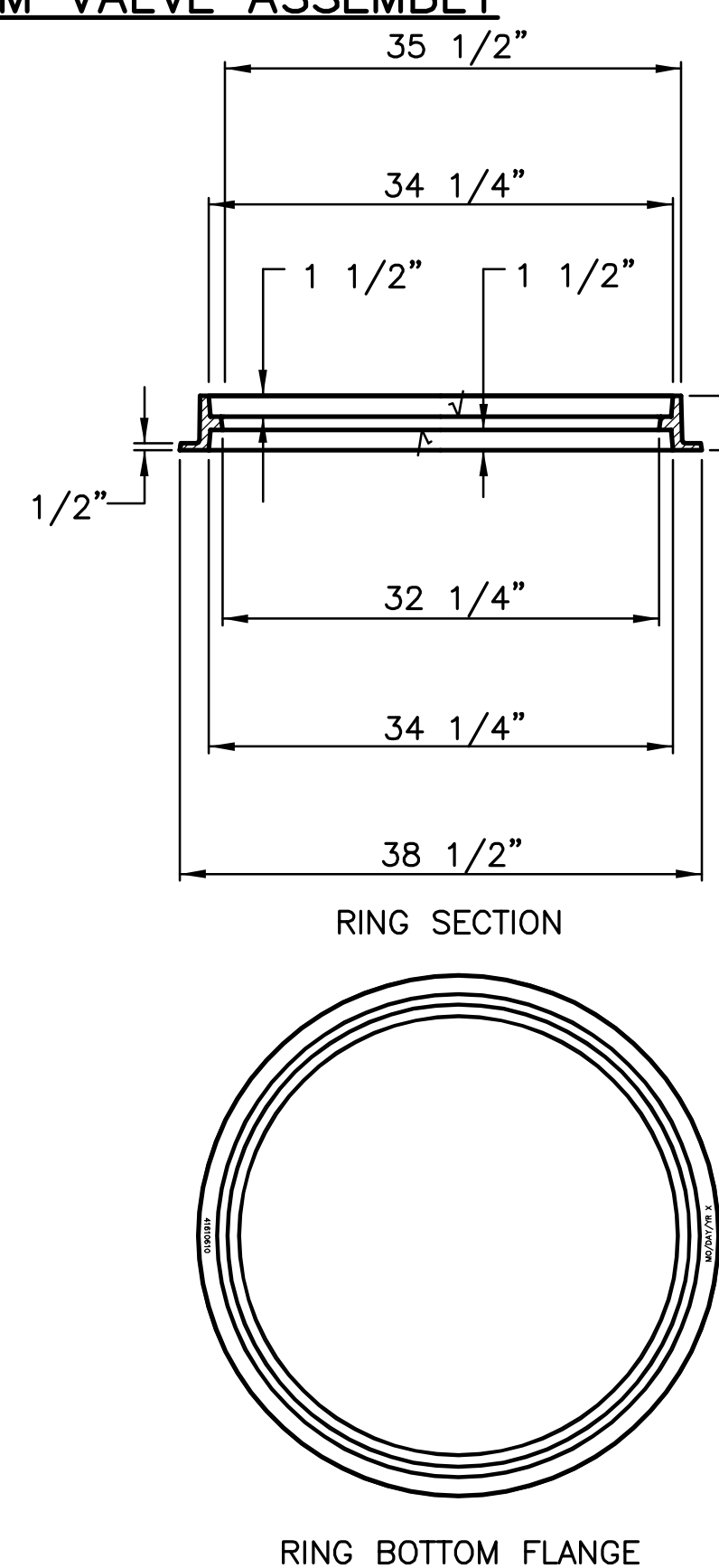
PROJECT NO.	SHEET



FORCE MAIN COMBINATION AIR RELEASE/VACUUM VALVE ASSEMBLY
N.T.S.



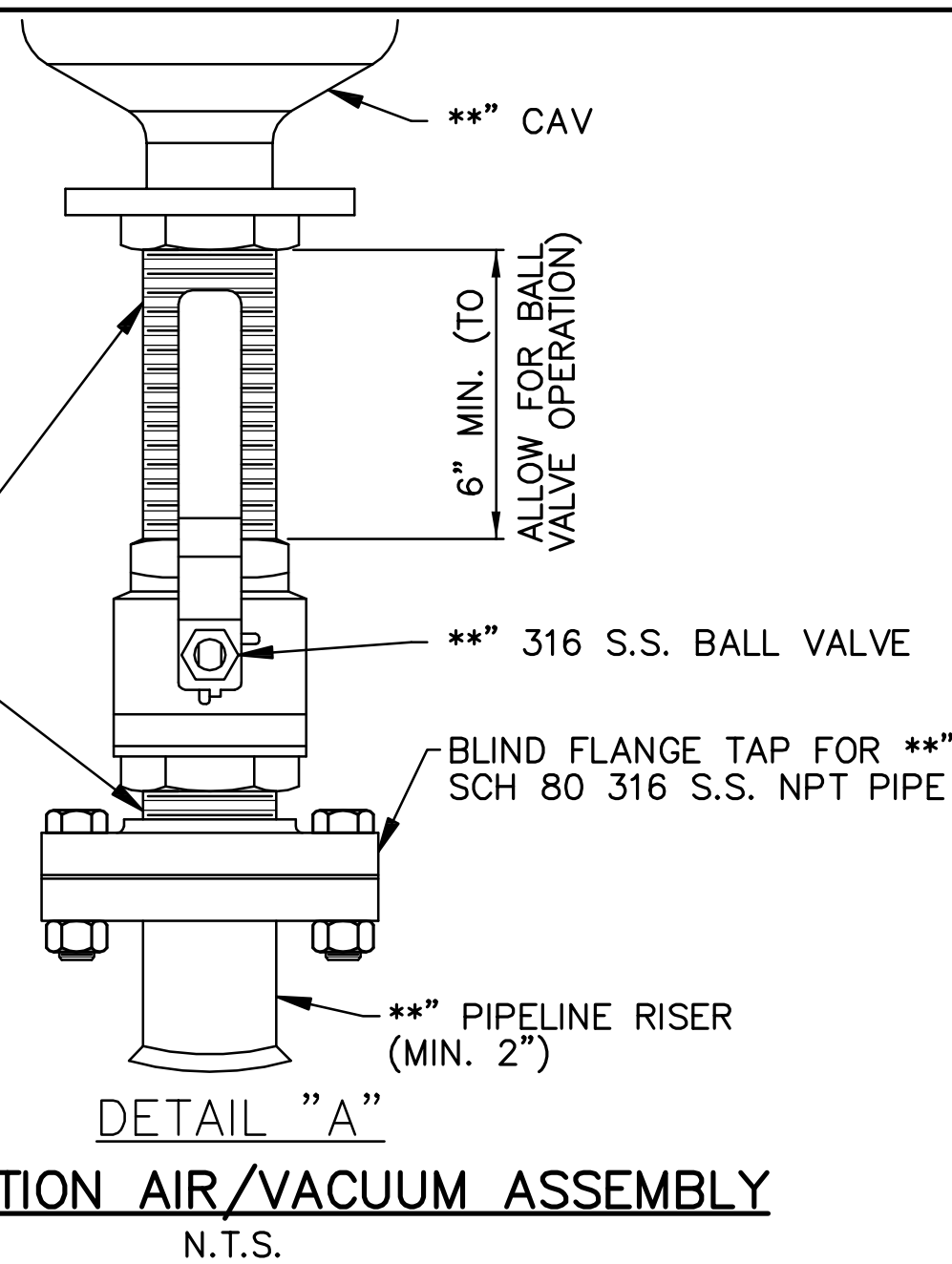
AIR RELEASE / VACUUM VALVE MANHOLE COVER
W/ VENT HOLES & LOGO



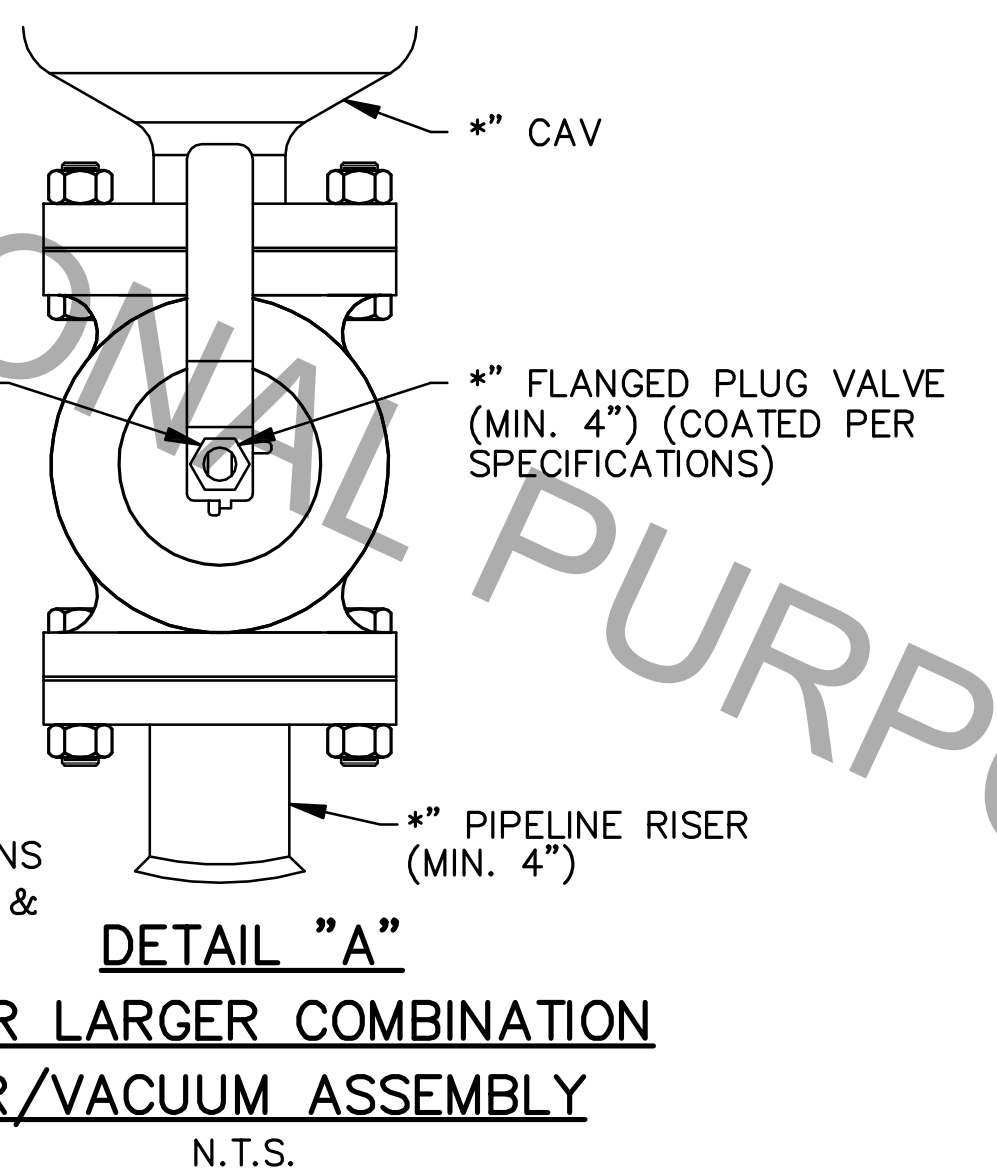
AIR RELEASE / VACUUM VALVE MANHOLE FRAME
REVERSIBLE RING TYPE

NOTE:

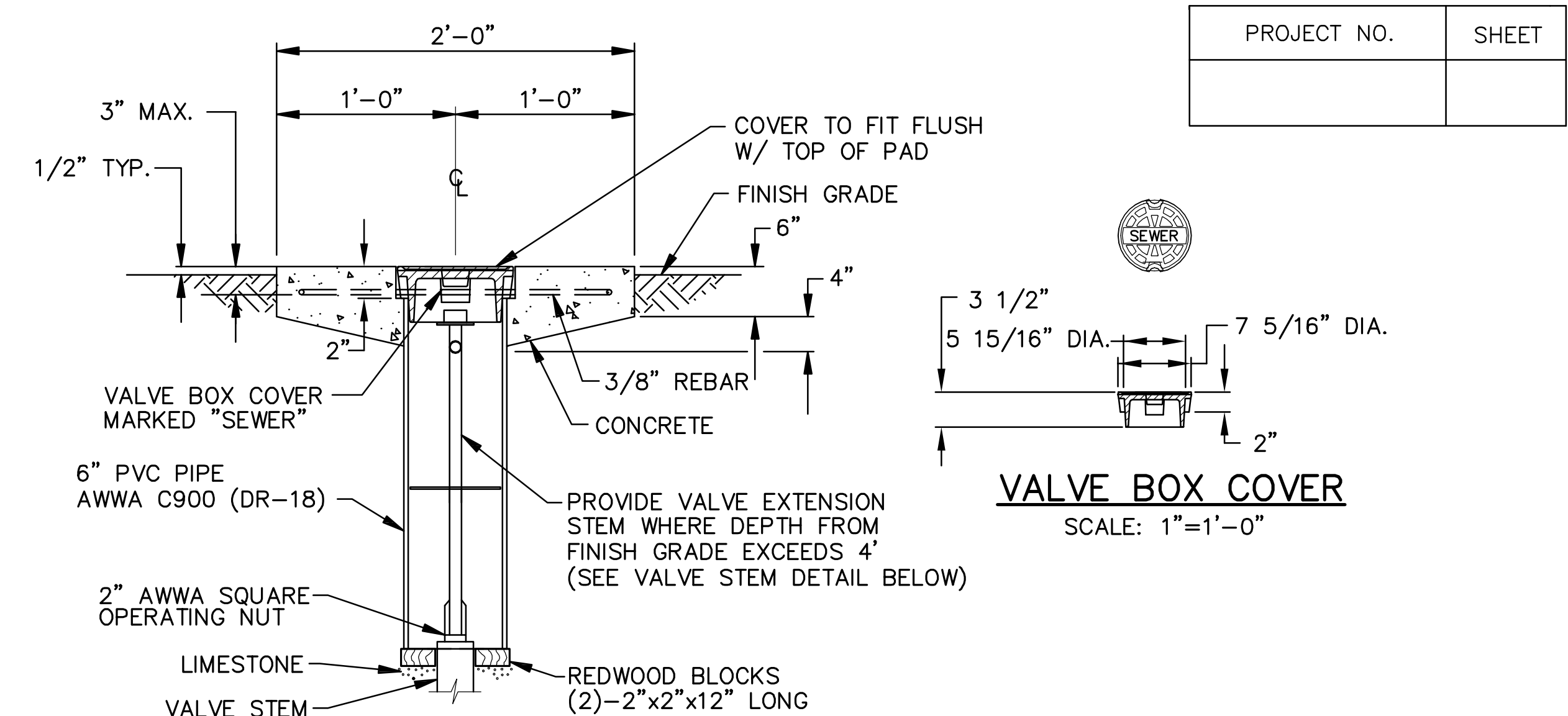
ALL CAST IRON FRAME AND COVERS SHALL BE TRAFFIC BEARING FRAME AND COVERS SHALL MEET OR EXCEED ALL REQUIREMENTS OF THE AMERICAN ASSOCIATION OF STATE HIGHWAY AND TRANSPORTATION OFFICIALS DESIGNATION : M306-05 STANDARD SPECIFICATION FOR DRAINAGE, SEWER, UTILITY, AND RELATED CASTINGS. THEY SHALL HAVE AN ENVIRONMENTALLY SAFE, WATER-BASE ASPHALTIC COATING WHICH IS NONTOXIC, NONFLAMMABLE, COLORLESS, AND DRIES TO A HARD BLACK FINISH.



2" COMBINATION AIR/VACUUM ASSEMBLY
N.T.S.



3" OR LARGER COMBINATION AIR/VACUUM ASSEMBLY
N.T.S.

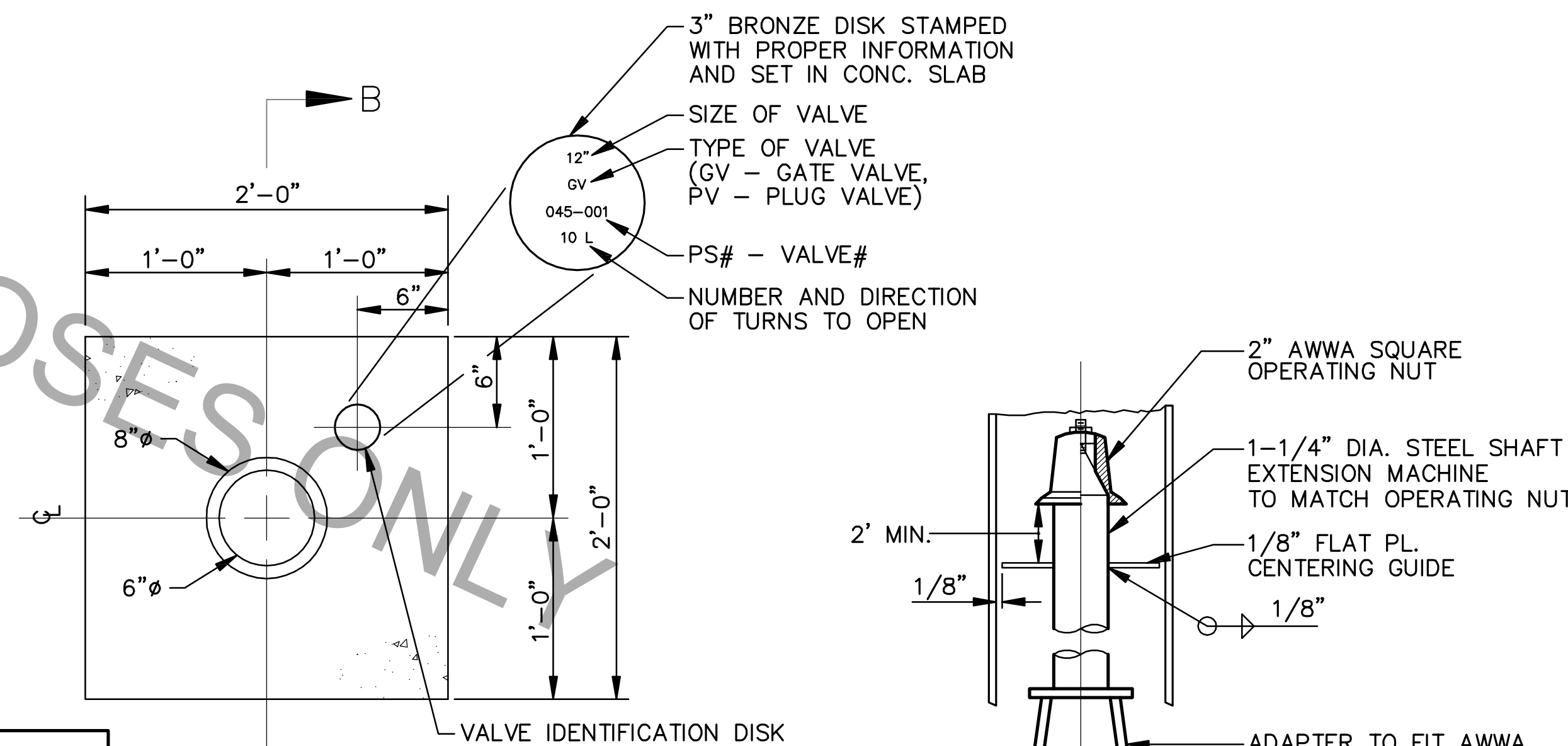


SECTION B-B

NOTES:

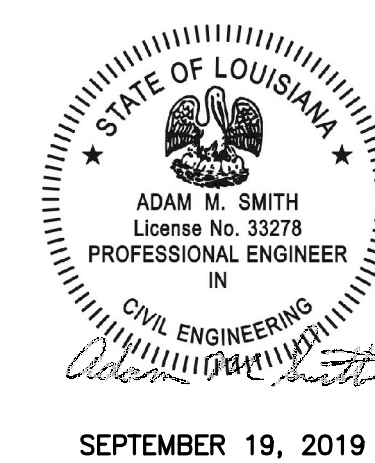
PROVIDE PROTECTIVE COATING TO EXTERIOR SURFACE OF VALVE BODY IN ACCORDANCE WITH SPECS.

DETAIL OF VALVE BOX
SCALE: 1 1/2"=1'-0"



PLAN
SCALE: 1 1/2"=1'-0"

VALVE STEM DETAIL
N.T.S.



STANDARD PLAN NO. 804-01	DATED AUGUST 1, 2011	SHEET NO. 1 OF 3
-----------------------------	-------------------------	---------------------

FORCE MAIN DETAILS

ENGINEERING DIVISION DEPARTMENT OF PUBLIC WORKS CITY OF BATON ROUGE & PARISH OF EAST BATON ROUGE			
DESIGNED A. SCHULZE	DRAWN G. VANNICIE	CHECKED N. COBB	APPROVED A. SMITH

9/19	REVISED VALVE BOX & COMBINATION AIR/VACUUM ASSEMBLY DETAILS	A.M.S.
DATE	DESCRIPTION	BY
	REVISIONS	