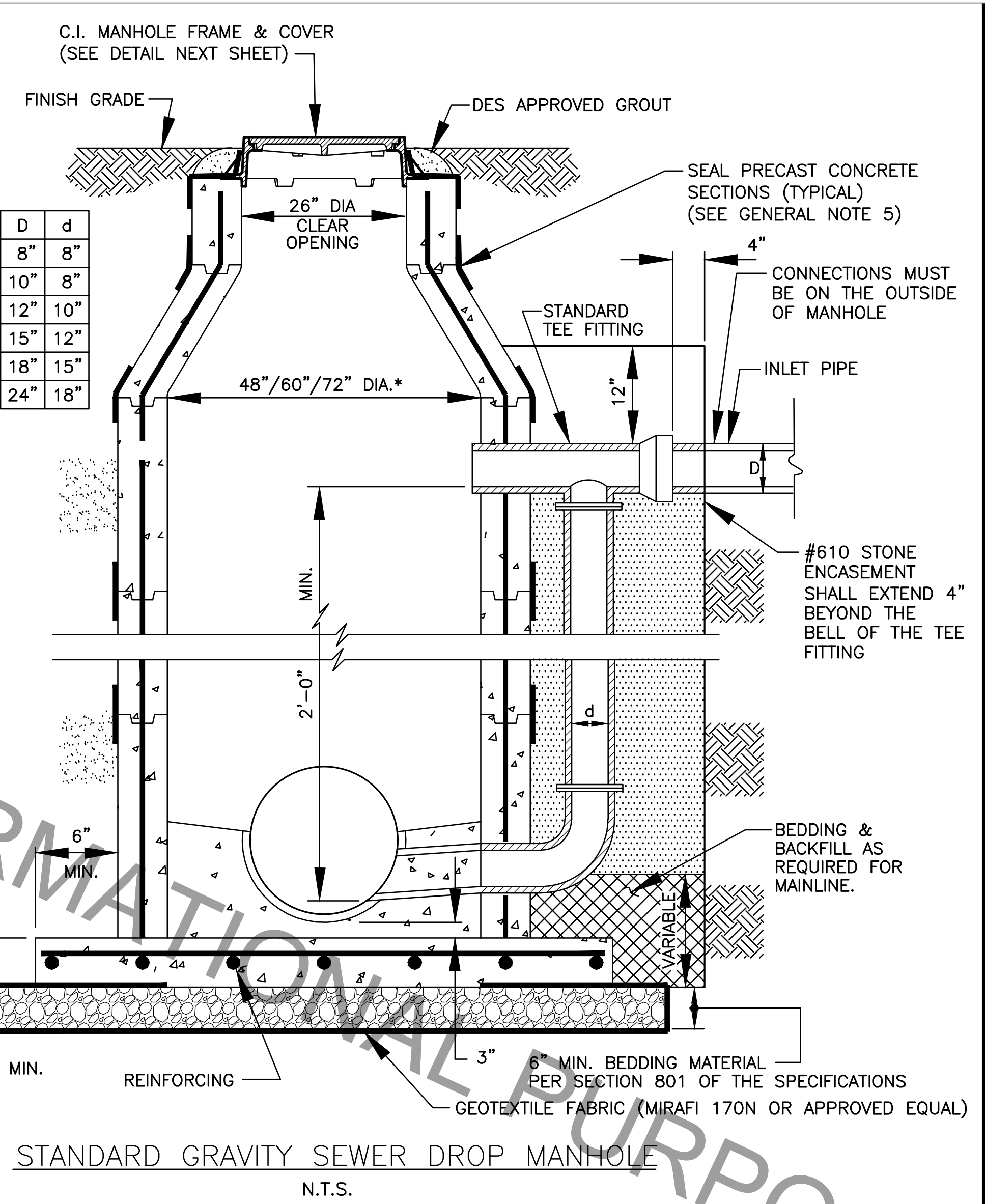
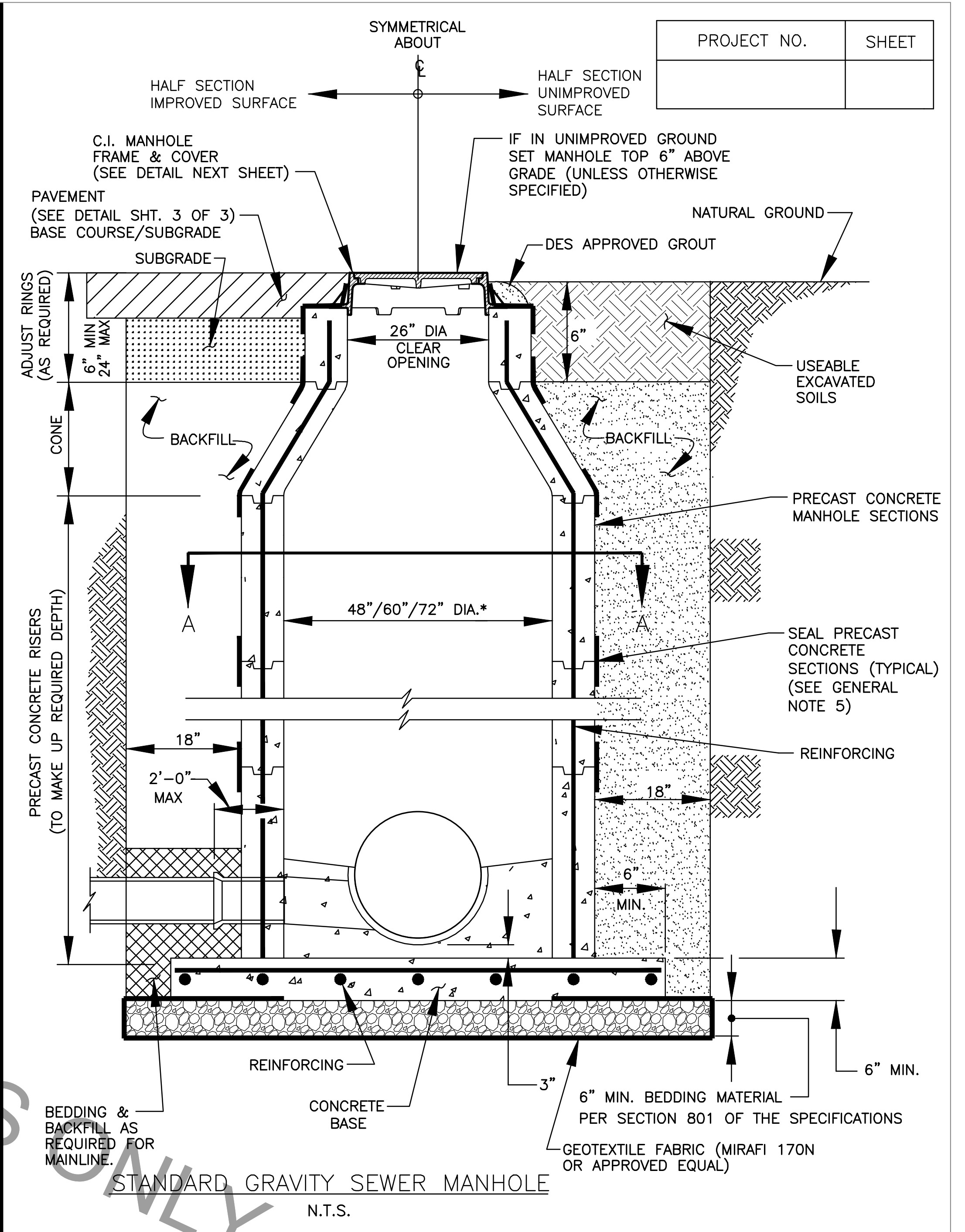


- NOTES:**
- INTERNAL DROP REQUIRES AUTHORIZATION FROM DES PRIOR TO USE.
 - ONLY ONE INSIDE DROP CONNECTION ALLOWED PER MANHOLE.
 - PIPE AND FITTINGS FOR DROP ASSEMBLY SHALL BE: AWWA C-900 OR PVC ASTM 3034 SDR 26.
 - INSIDE DROP SHALL BE CONSTRUCTED TO POSITION THE DROP PIPE AS CLOSE TO THE MANHOLE WALL AS POSSIBLE.

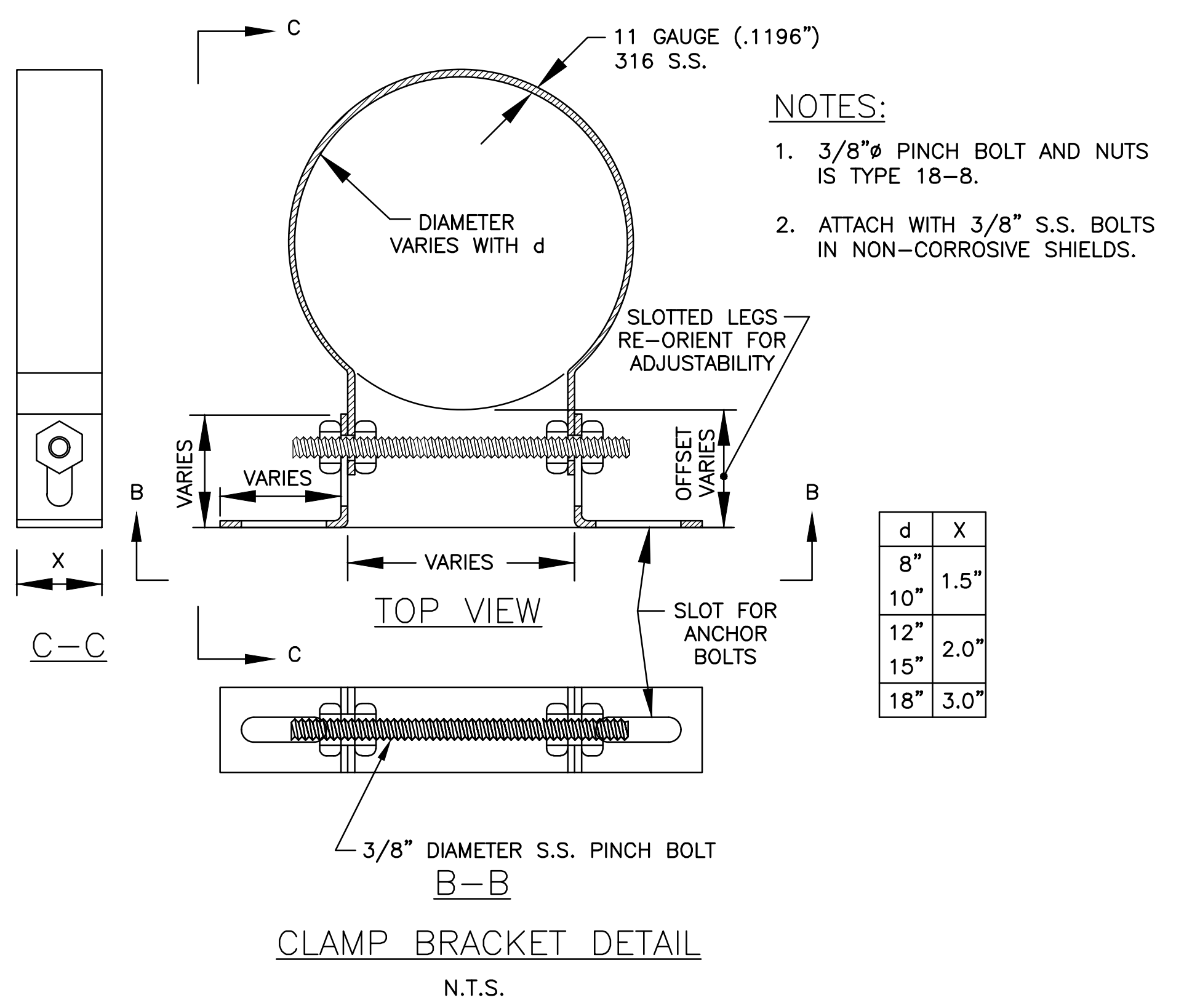
D	d
8"	8"
10"	8"
12"	10"
15"	12"
18"	15"
24"	18"



D	d
8"	8"
10"	8"
12"	10"
15"	12"
18"	15"
24"	18"



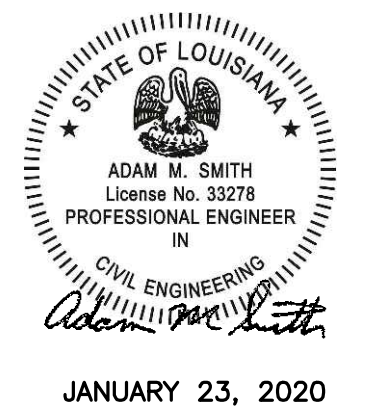
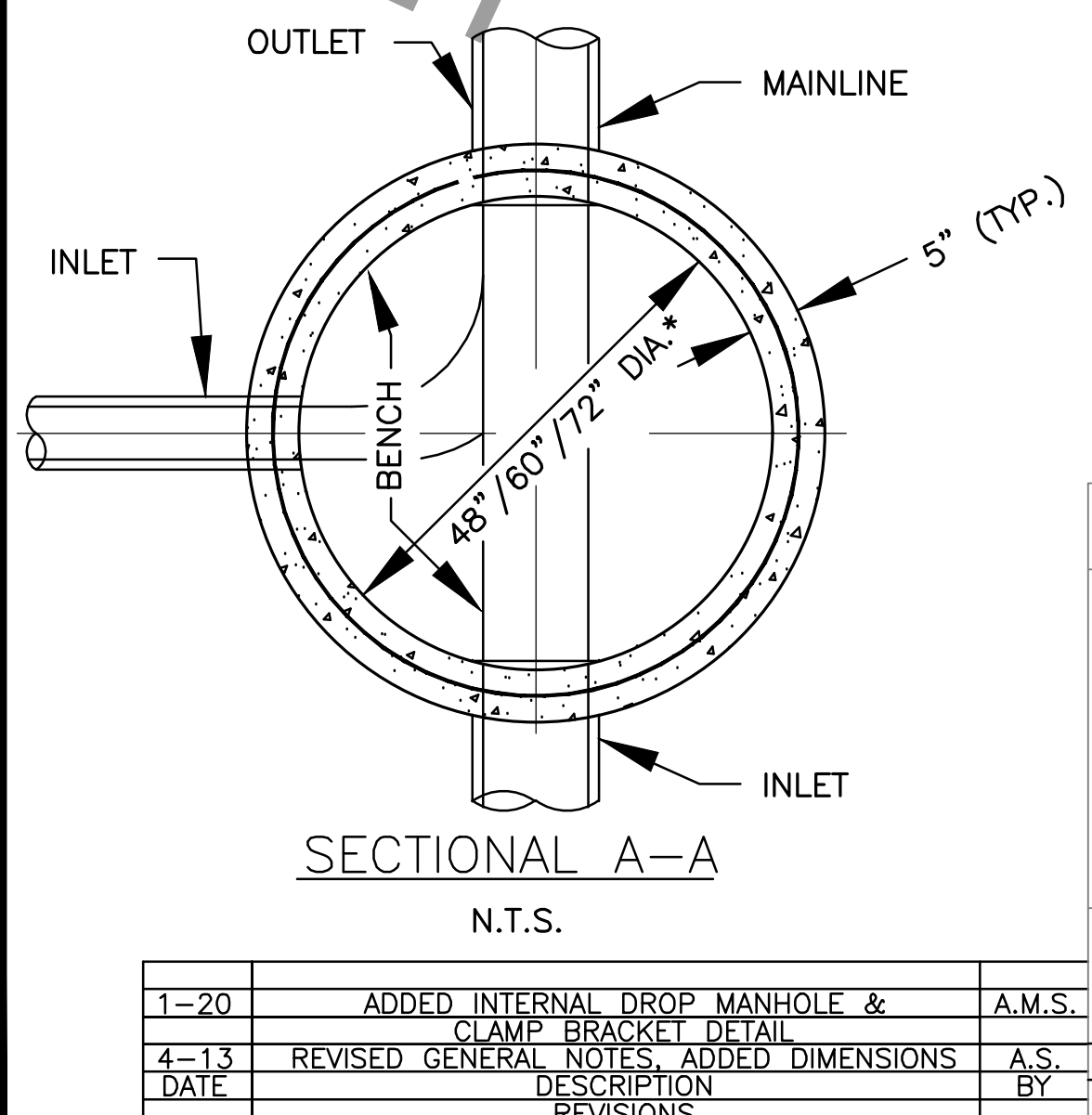
PROJECT NO.	SHEET



- NOTES:**
- 3/8" PINCH BOLT AND NUTS IS TYPE 18-8.
 - ATTACH WITH 3/8" S.S. BOLTS IN NON-CORROSIVE SHIELDS.

d	X
8"	1.5"
10"	2.0"
12"	2.0"
15"	3.0"
18"	3.0"

- MANHOLE GENERAL NOTES:**
- ALL STUBS FROM MANHOLES AND ENDS OF PIPE TO WHICH CONNECTIONS ARE TO BE MADE UNDER THIS CONTRACT SHALL BE PROVIDED WITH TEMPORARY WATER TIGHT PLUGS OR CAPS. ALL STUBS FOR CONNECTIONS TO OTHER CONTRACTS SHALL BE PROVIDED WITH WATER TIGHT PLUGS PLACED FROM INSIDE OF MANHOLE. SEWERS WHICH ARE TO BE CONNECTED TO MANHOLES WHICH WILL BE BUILT UNDER OTHER CONTRACTS SHALL BE PROVIDED WITH WATER TIGHT PLUGS AND CAPS. STUBS SHALL BE A MAXIMUM OF 2FT. IN LENGTH. SUCH PLUGS LOCATED AT JUNCTIONS OF TWO CONTRACTS SHALL REMAIN IN PLACE SHALL BE REMOVED BY OTHERS.
 - THE BENCH SHALL SLOPE TOWARD THE INVERT CHANNEL AT THE RATE OF (1.5"/FT.), BUT MINIMUM OF 3" DIFFERENCE SHALL BE MAINTAINED FROM THE TOP OF CHANNEL TO THE WALL.
 - ALL CAST IRON FRAME COVERS SHALL BE TRAFFIC BEARING. FRAME AND COVERS SHALL MEET OR EXCEED ALL REQUIREMENTS OF THE LATEST AMERICAN ASSOCIATION OF STATE HIGHWAY AND TRANSPORTATION OFFICIALS DESIGNATION: M308 STANDARD SPECIFICATION FOR DRAINAGE, SEWER, UTILITY, AND RELATED CASTINGS. THEY SHALL HAVE AN ENVIRONMENTALLY SAFE, WATER-BASE ASPHALTIC COATING WHICH IS NONTOXIC, NONFLAMMABLE, COLORLESS, AND DRIES TO A HARD BLACK FINISH.
 - THE DEPTH OF THE INVERT CHANNEL SHALL BE EQUAL TO HALF THE DIAMETER OF THE LARGEST DIAMETER SEWER PIPE IN THE MANHOLE.
 - MANHOLE SECTIONS SHALL BE JOINED TOGETHER WITH FLEXIBLE WATERTIGHT RUBBER GASKETS AND EXTERNALLY SEALED AT THE JOINTS IN ACCORDANCE WITH THE SPECIFICATIONS.
 - ALL MANHOLES ARE TO BE CONSTRUCTED OF PRECAST CONCRETE (BASE, RISERS AND CONE). NO BRICK MANHOLES WILL BE ACCEPTED UNLESS APPROVED IN WRITING.
 - BEDDING AND BACKFILL SHALL BE IN ACCORDANCE WITH THE SPECIFICATIONS. SEE SPECIFICATIONS FOR MATERIAL REQUIREMENTS AND PLACEMENT AND COMPACTION OF PIPE BEDDING MATERIALS.
 - PIPE PENETRATIONS SHALL CONFORM TO THE SPECIFICATIONS.
 - REINFORCING FOR PRE-CAST MANHOLES AS PER ASTM C-478.
 - FOR SEWERS 16" DIA. OR LESS CONSTRUCT 48" DIA. MANHOLE, FOR SEWERS LARGER THAN 16" UP TO 24" DIA. CONSTRUCT 60" DIA. MANHOLE, AND FOR SEWERS LARGER THAN 24" DIA. CONSTRUCT 72" DIA. MANHOLE. MANHOLE DIA. SIZING, HOWEVER IS CONTINGENT UPON THE LIMITATIONS OF THE MANUFACTURER DUE TO PIPE SIZE AND ORIENTATION AT THE MANHOLE. THE DESIGN ENGINEER MUST VERIFY THAT THE PROPER MANHOLE DIA. IS PROVIDED.
 - MANHOLE SHALL NOT INCLUDE STEPS.



STANDARD PLAN NO.	DATED	SHEET NO.
803-01	AUGUST 1, 2011	1 OF 3

SANITARY SEWER MANHOLES

ENGINEERING DIVISION			
DEPARTMENT OF PUBLIC WORKS			
CITY OF BATON ROUGE & PARISH OF EAST BATON ROUGE			
DESIGNED	DRAWN	CHECKED	APPROVED
A. SCHULZE	G. VANNICE	R. WRIGHT	B. HARMON

803-01

NO.	DESCRIPTION	DATE	BY
1-20	ADDED INTERNAL DROP MANHOLE & CLAMP BRACKET DETAIL		A.M.S.
4-13	REVISED GENERAL NOTES, ADDED DIMENSIONS		A.S.