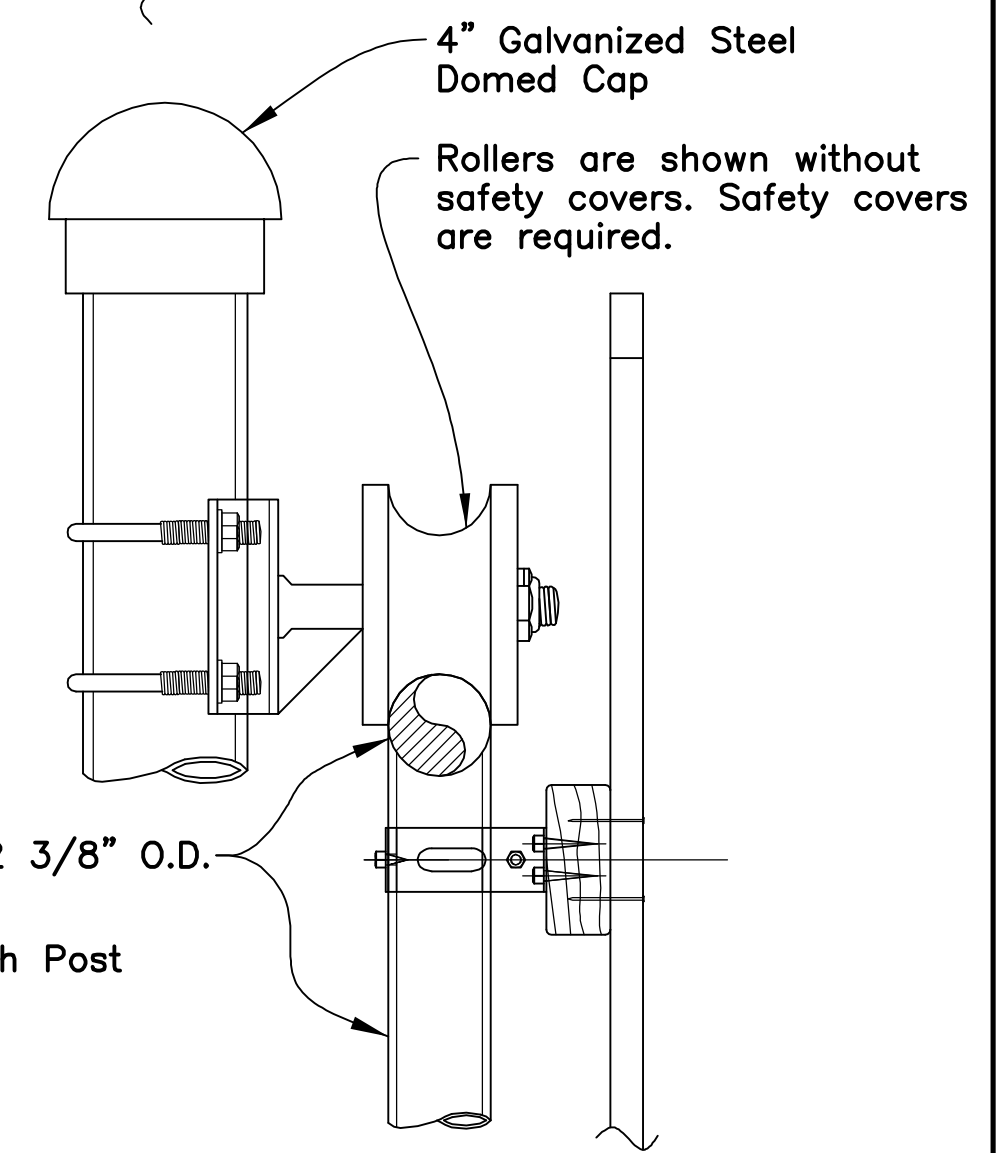
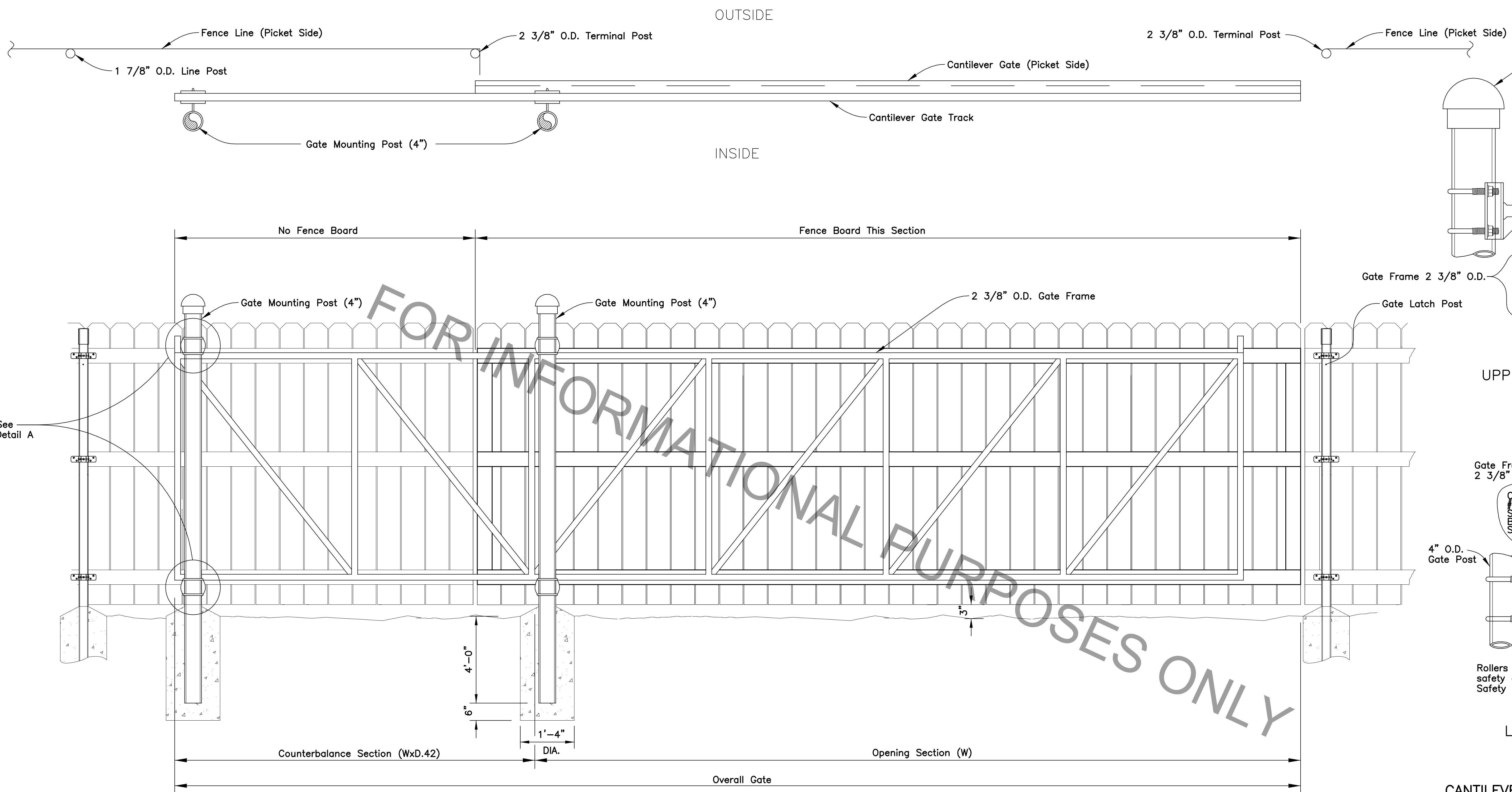
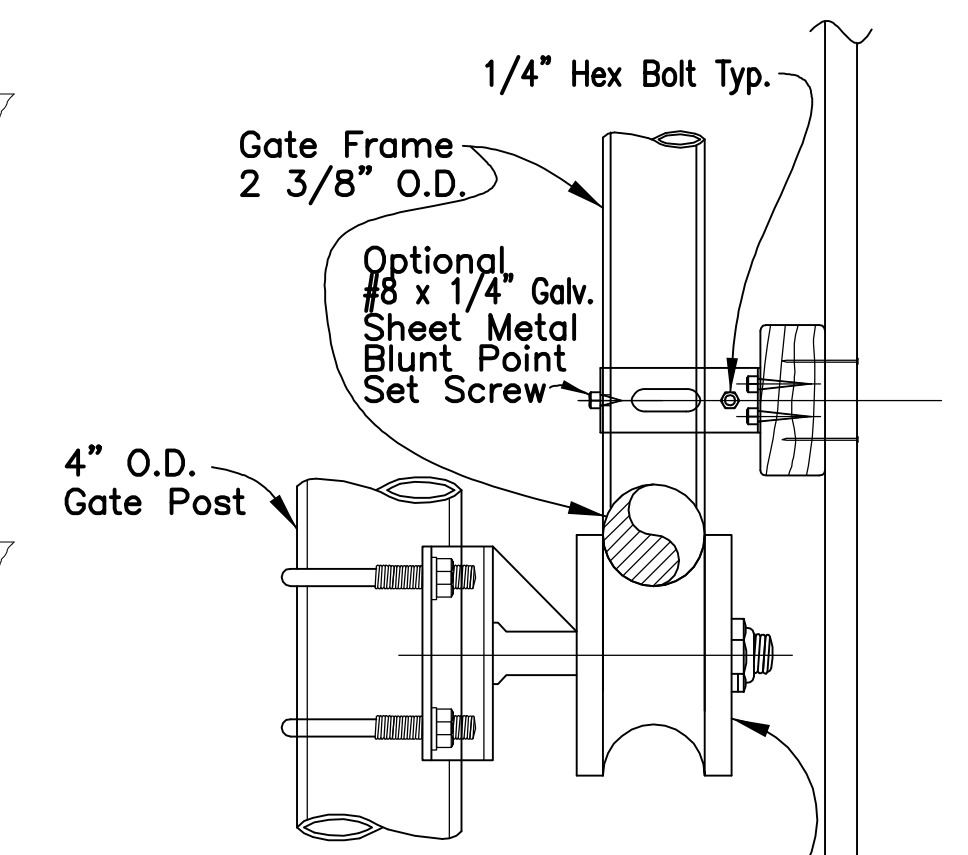


PROJECT NO.	SHEET



UPPER CONNECTION



LOWER CONNECTION

DETAIL A  
CANTILEVER ROLLER ASSEMBLY

FOR INFORMATIONAL PURPOSES ONLY

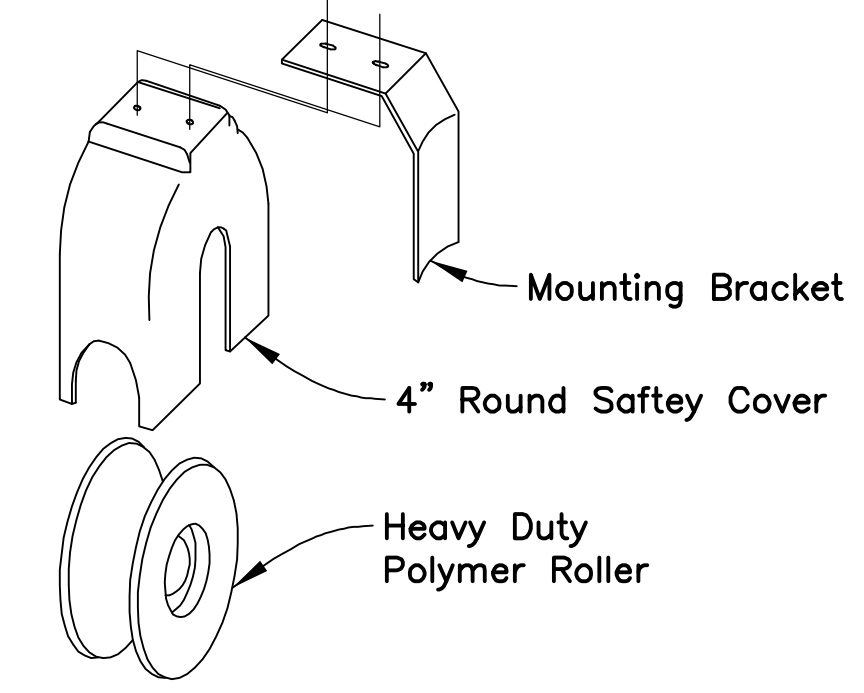
ELEVATION VIEW OF CANTILEVER GATE  
INSIDE LOOKING OUT  
N.T.S.

**TUBE BRACED CANTILEVER SLIDE:**

The Aluminum Cantilever Gates are Constructed with a 2 3/8" O.D. Upper and Lower Track. The Upper and Lower Tracks shall be welded and/or Bolted. Vertical Braces Shall be 2 3/8" O.D. Each section shall have one 1 5/8" O.D. Diagonal Brace.

**GATE POSTS:**

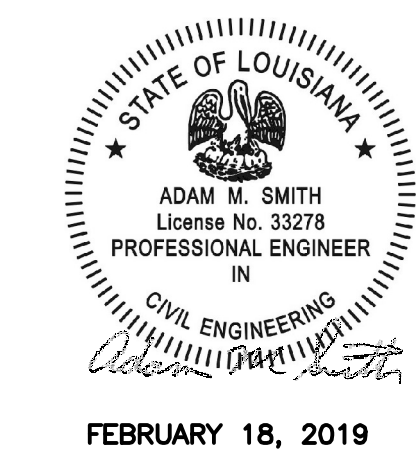
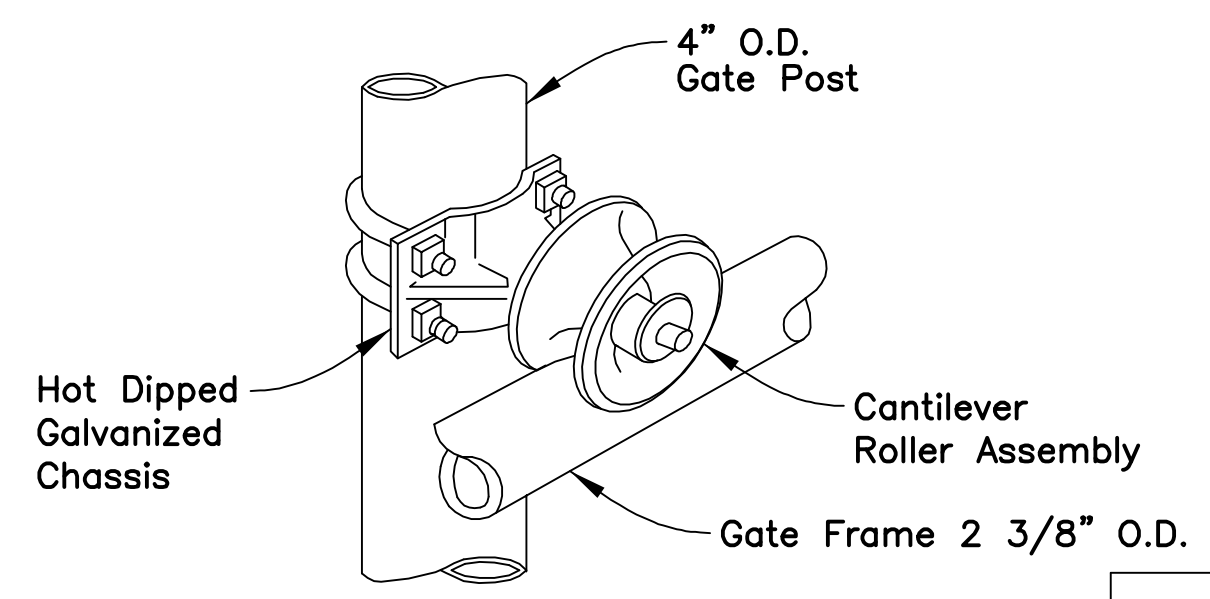
The 4" Posts are Made of Galvanized Steel. Provide 1 Latch Post and 2 Support Posts for Slide Gate. Gate Includes One Upper and One Lower Cantilever Roller Assembly Per Gate Post.



SAFETY ROLLER COVER

**NOTE:**

"W" is Shown on the Project Drawings and Shall be a Min. of 12'.



DATE	DESCRIPTION REVISIONS	BY

STANDARD PLAN NO. 902-06	DATED February 14, 2019	SHEET NO. 3 OF 3
-----------------------------	----------------------------	---------------------

PUMP STATION  
SLIDING CANTILEVER GATE  
FOR WOODEN FENCE DETAILS  
(6FT. OR 8FT. HEIGHT)

ENGINEERING DIVISION DEPARTMENT OF PUBLIC WORKS CITY OF BATON ROUGE & PARISH OF EAST BATON ROUGE			
DESIGNED J. CRAIN	DRAWN S. CORTEZ	CHECKED R. LAMBERT	APPROVED A. SMITH