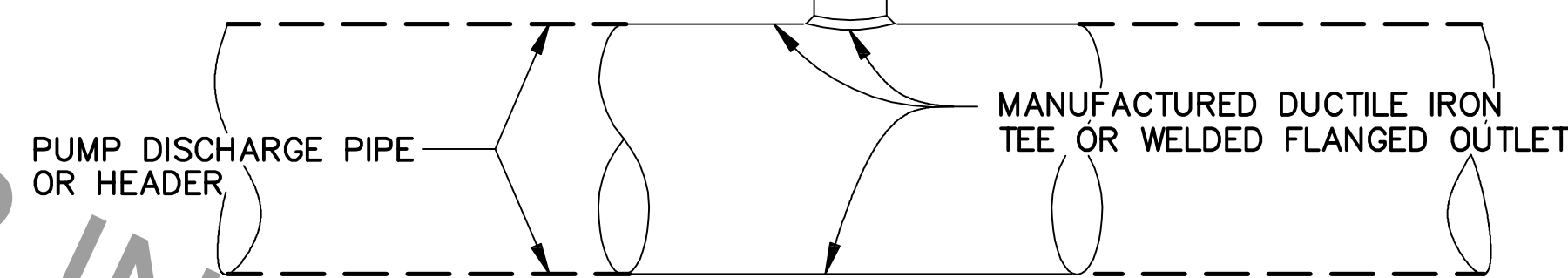
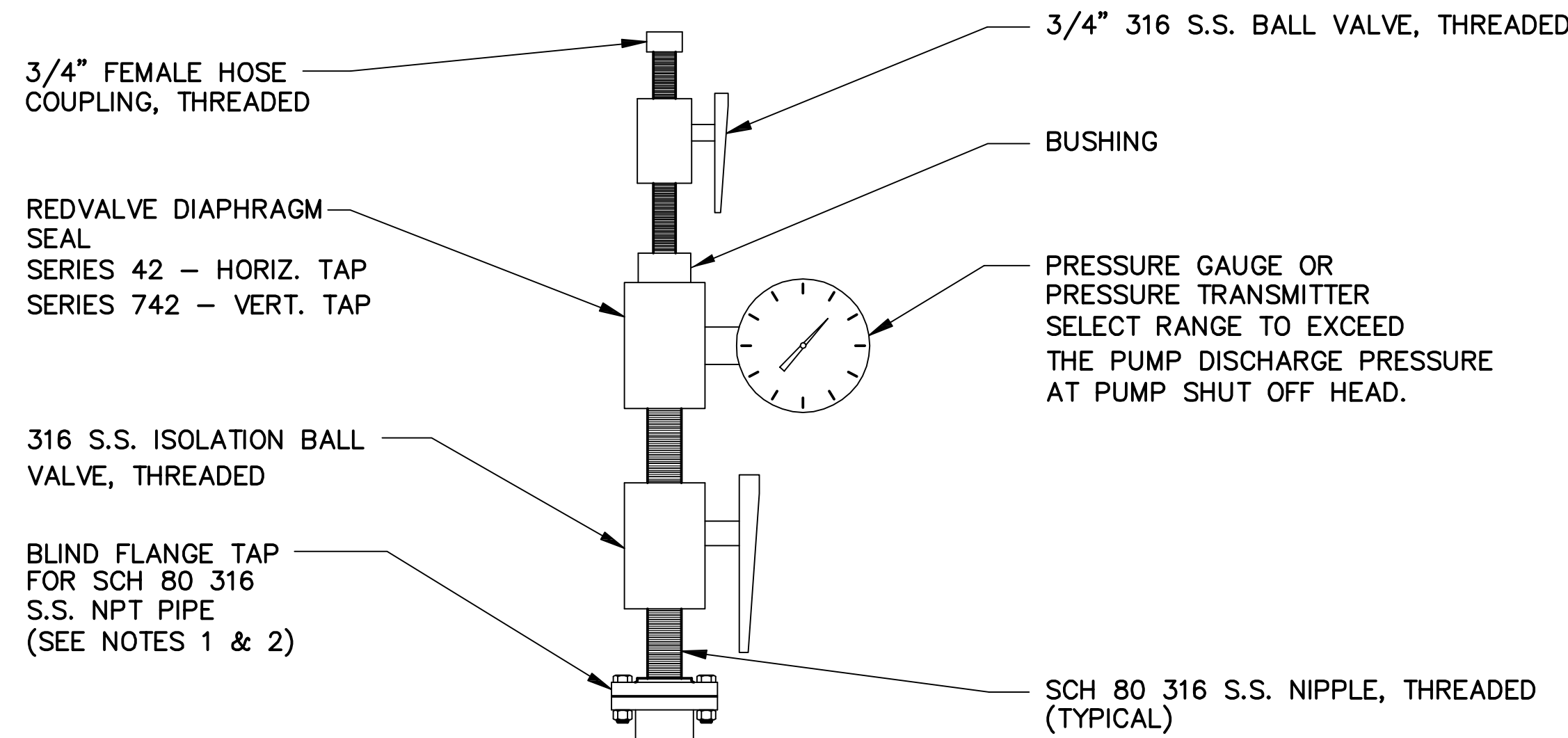
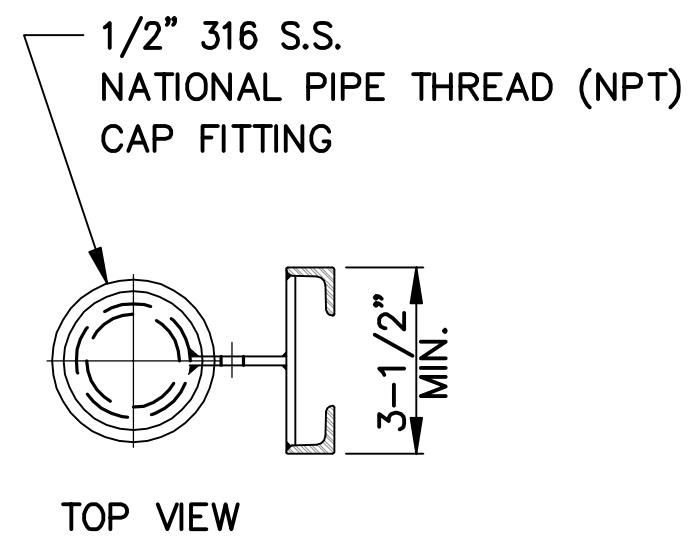


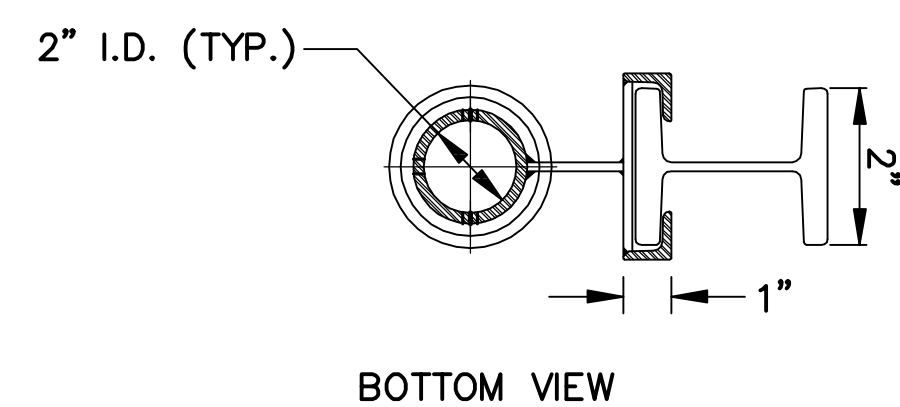
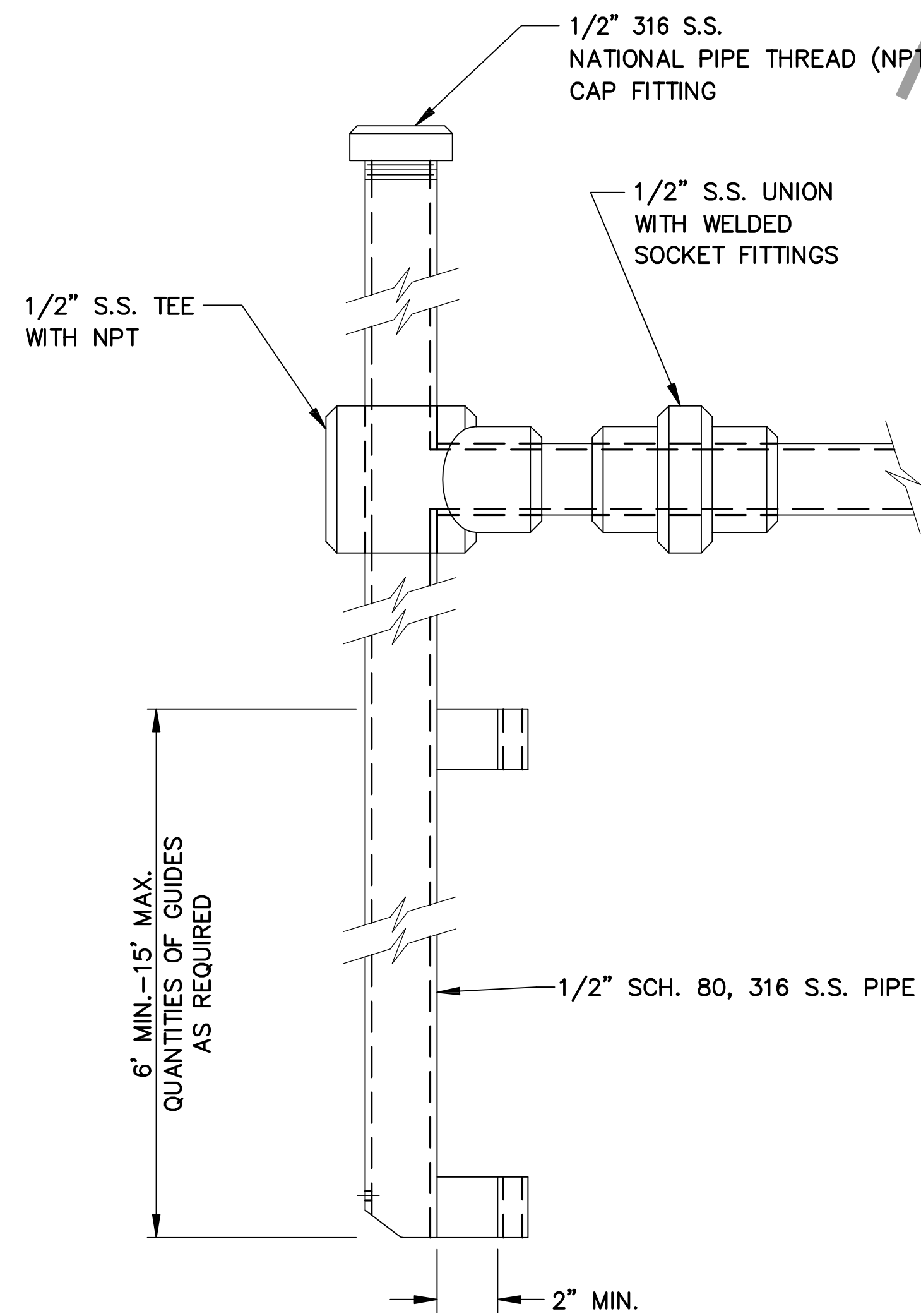
PROJECT NO.	SHEET

NOTES:

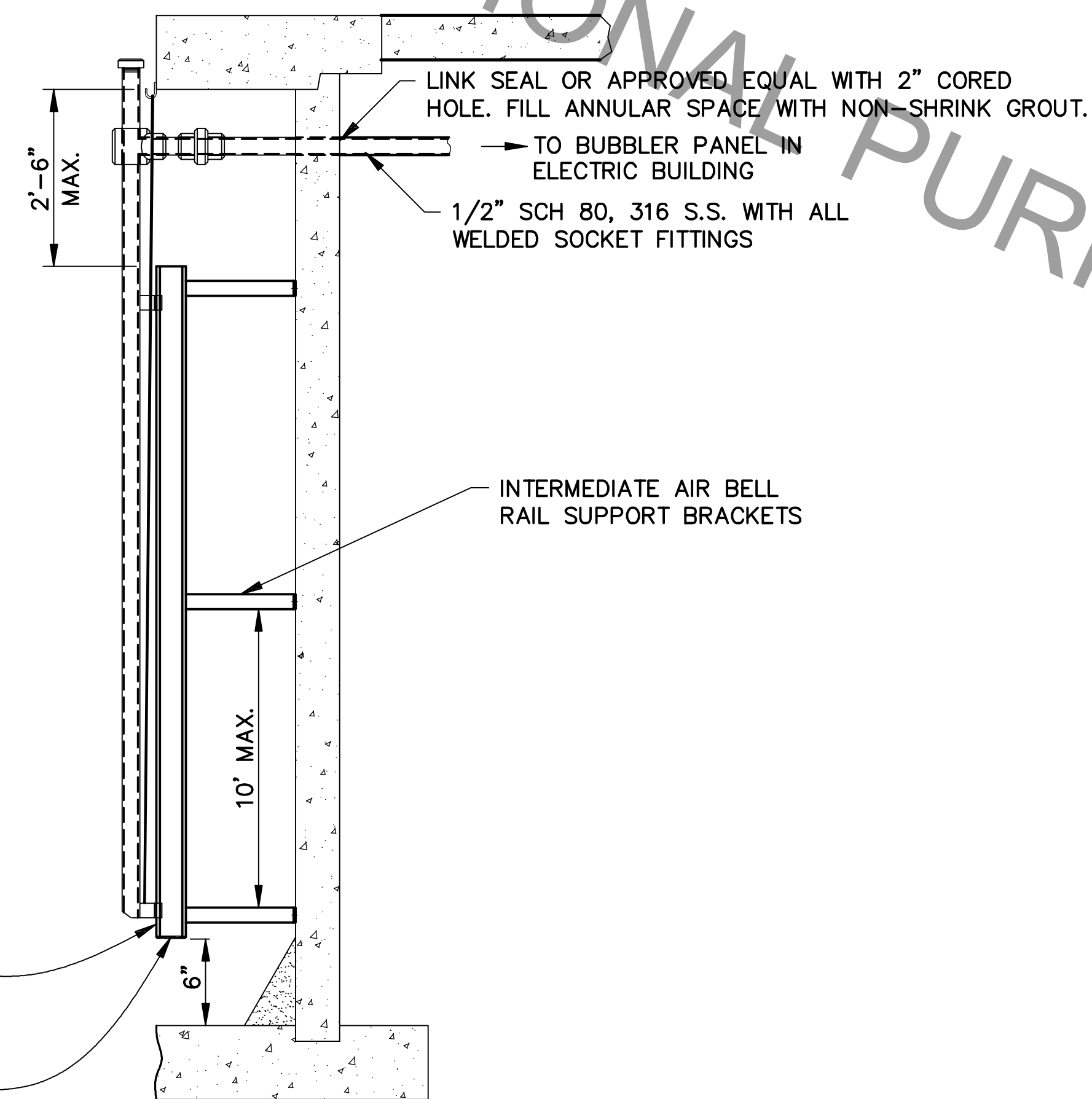
1. PROVIDE 1" NIPPLES, ISOLATION BALL VALVE AND DIAPHRAGM SEAL FOR PIPES 6" AND SMALLER.
2. PROVIDE 2" NIPPLES, ISOLATION BALL VALVE AND DIAPHRAGM SEAL FOR PIPES 8" AND LARGER.
3. ALL FITTINGS, VALVES, AND GAUGES SHALL BE 316 S.S.



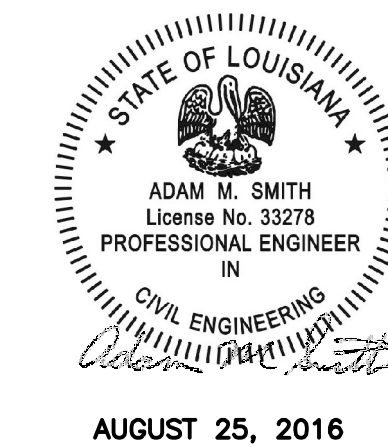
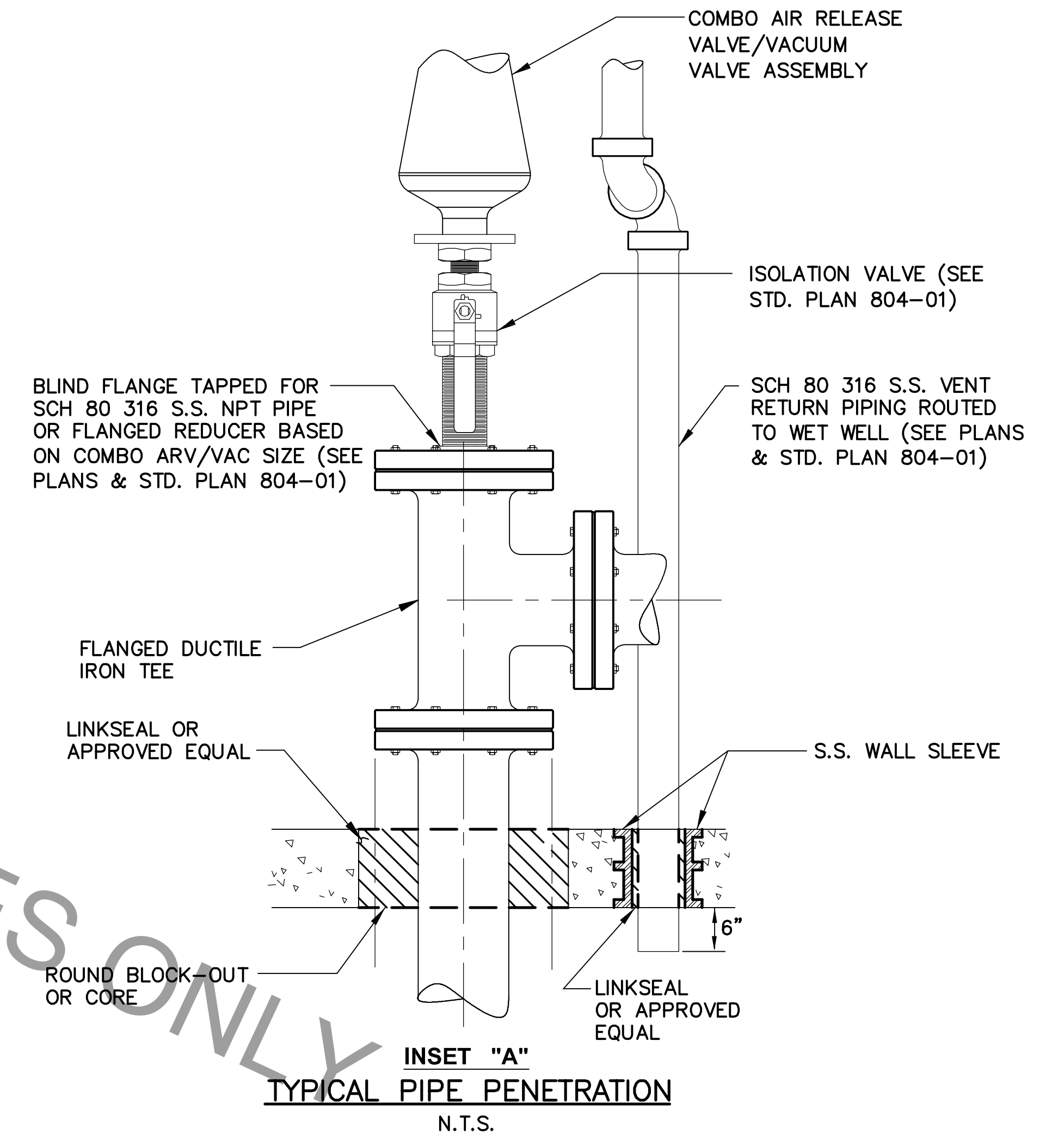
MOUNTING DETAIL FOR DISCHARGE PRESSURE TRANSMITTER AND PRESSURE GAUGE
SCALE: N.T.S.



BUBBLER TUBE SLEEVE DETAIL (TYPE II STATION)
SCALE: 1/4"=1"



BUBBLER SYSTEM DETAIL (TYPE II STATION)
SCALE: 1/16"=1"



8/16	REVISED DETAIL CALLOUTS & ADDED PIPE	A.M.S.
4/13	REVISED TITLE BLOCK	A.S.
DATE	DESCRIPTION	BY
	REVISIONS	

STANDARD PLAN NO. 805-04	DATED AUGUST 1, 2011	SHEET NO. 2 OF 2
-----------------------------	-------------------------	---------------------

MISCELLANEOUS PUMP STATION DETAILS

ENGINEERING DIVISION DEPARTMENT OF PUBLIC WORKS CITY OF BATON ROUGE & PARISH OF EAST BATON ROUGE			
DESIGNED	DRAWN	CHECKED	APPROVED
A. SCHULZE	G. VANNICE	N. COBB	A. SMITH