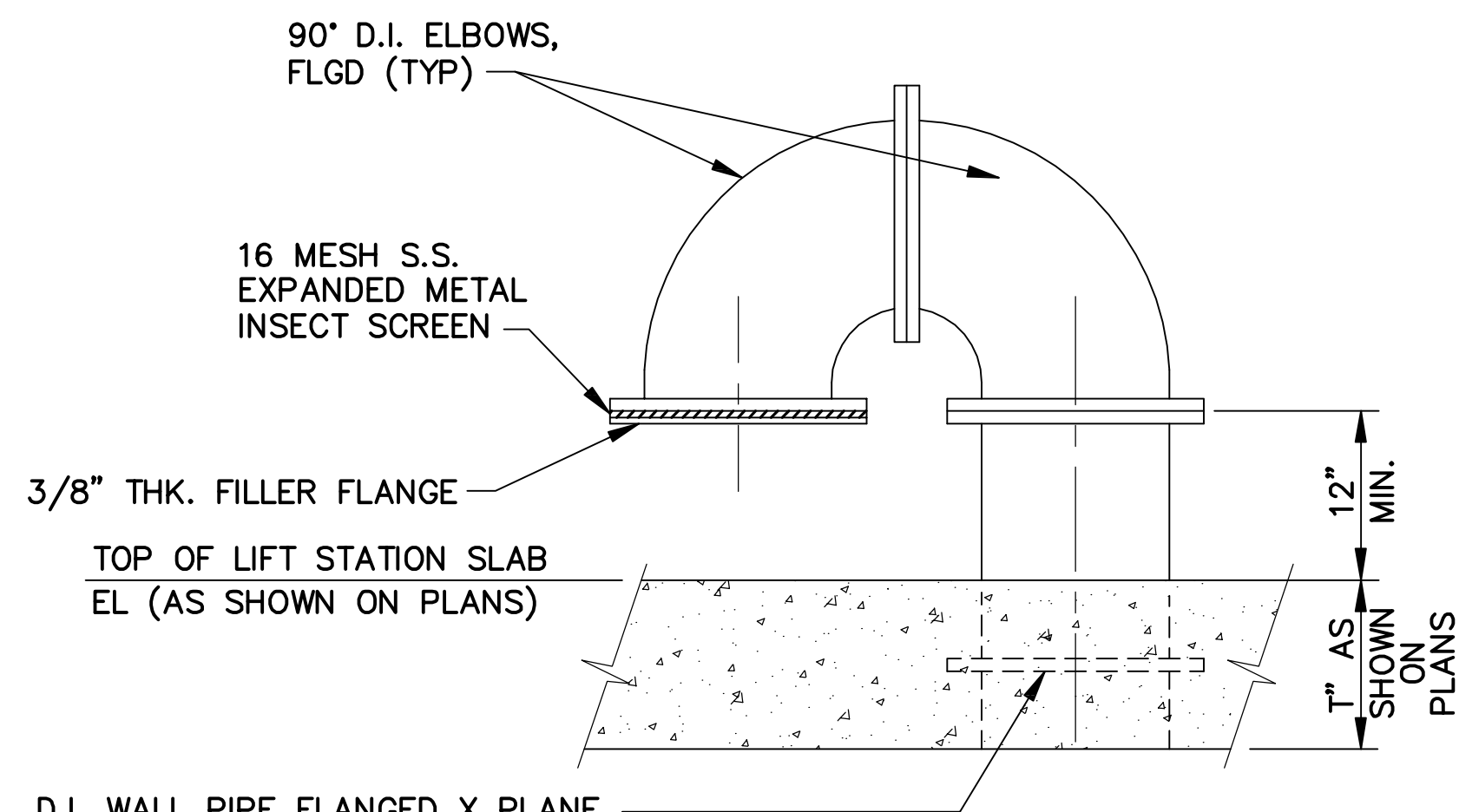
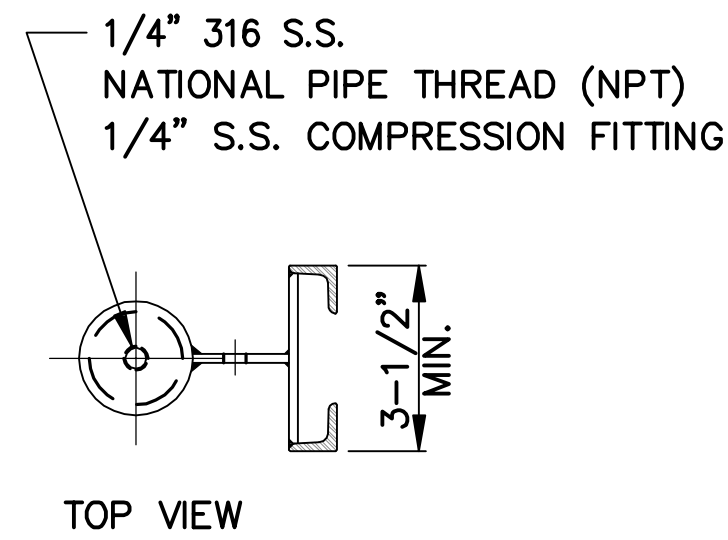


PROJECT NO.	SHEET

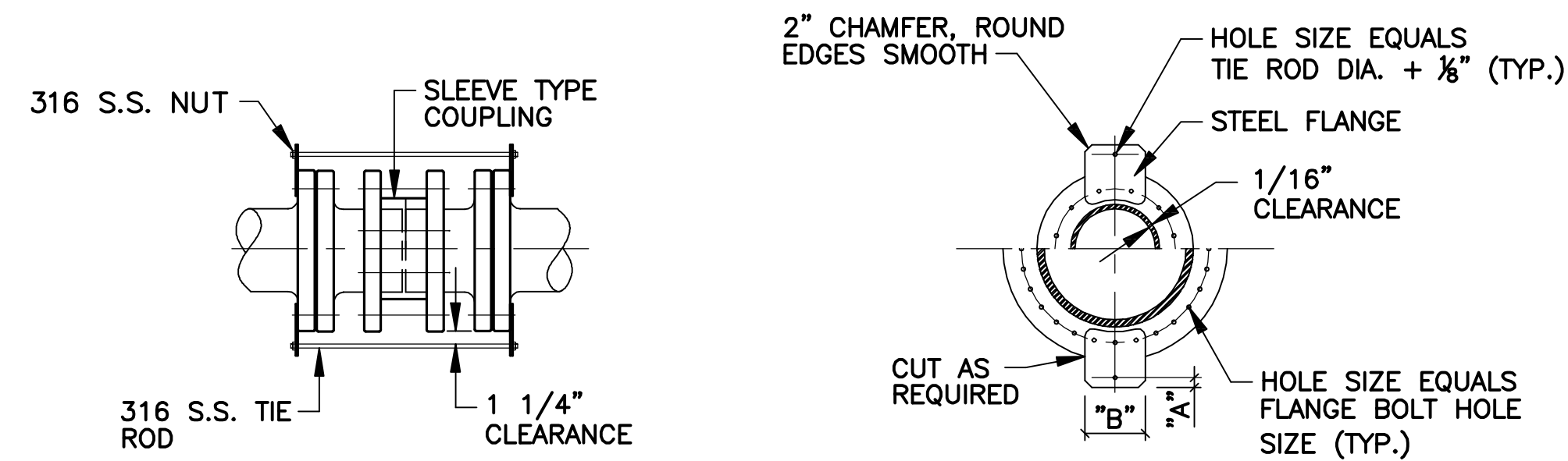


D.I. WALL PIPE FLANGED X PLANE END WITH WALL COLLAR (CAST-IN-PLACE) OR SEE TYPICAL PIPE PENETRATION DETAIL FOR BLOCK-OUT OR CORE (STD. PLAN 805-02 OR 805-03)

TYPICAL VENT PIPE
N.T.S.



TOP VIEW

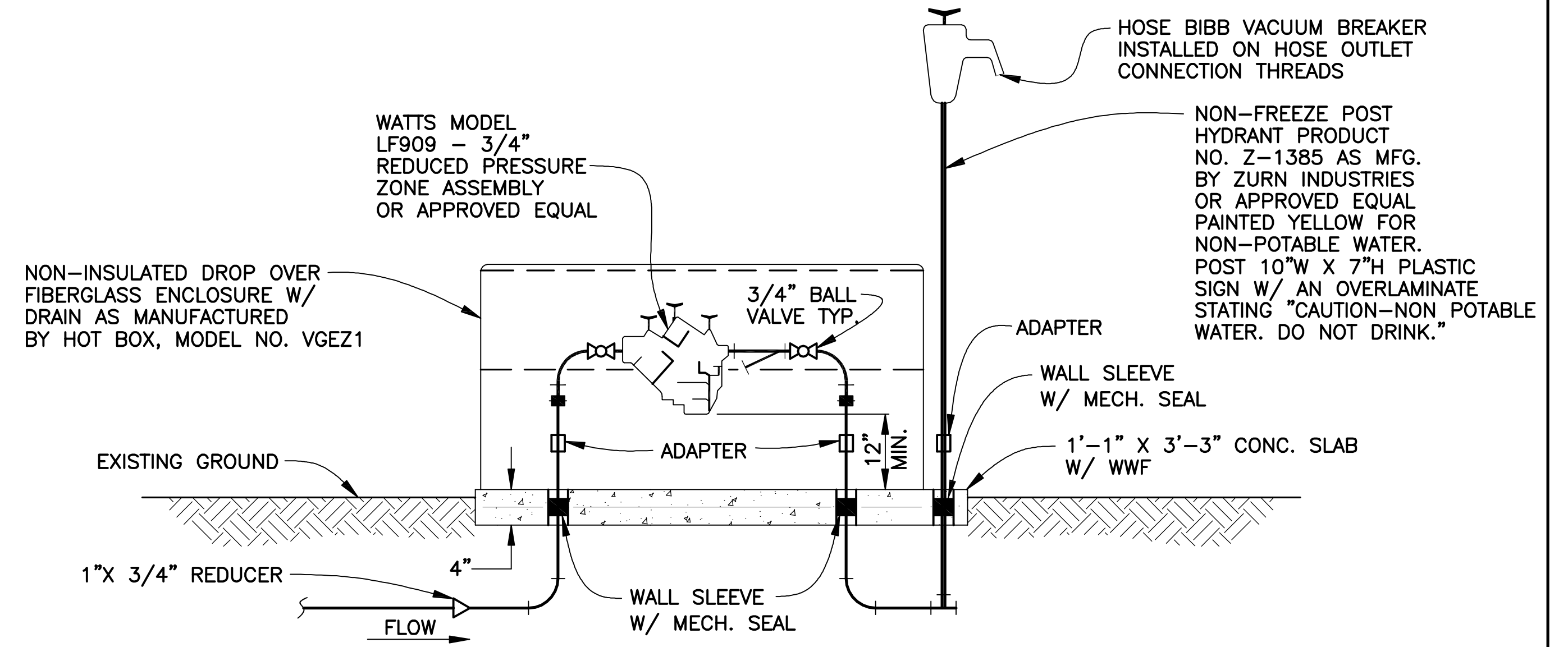


NOTES:

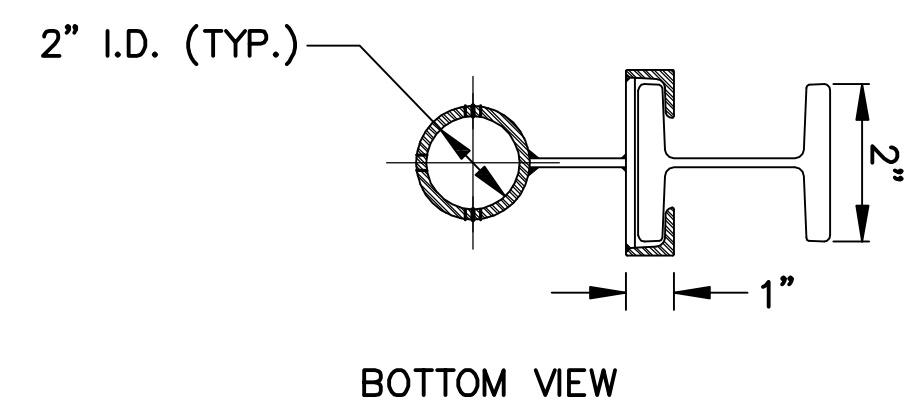
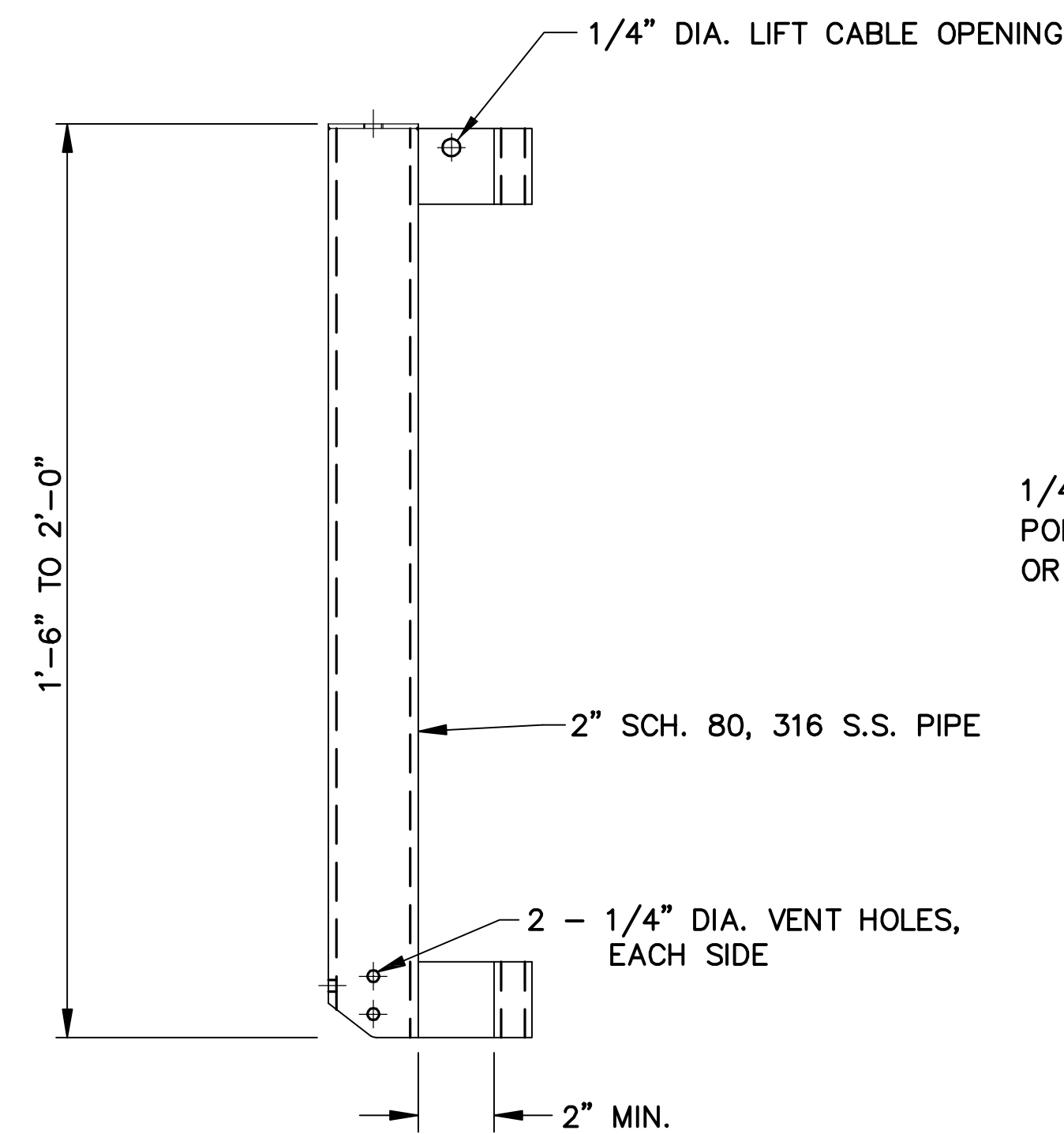
1. THE RODS SHALL BE EQUALLY SPACED AROUND PIPE.
2. FOR STEEL FLANGE CLAMPS REQUIRING 3 BOLTS PER CLAMP, THE ORIENTATION OF THE STEEL FLANGE CLAMP AND PIPE FLANGE DRILLING IS PICTORIAL ONLY. EXACT ORIENTATION OF THE FLANGE CLAMP IS DETERMINED BY STANDARD FLANGE DRILLING.

PIPE SIZE	TIERODS			FLANGE CLAMP		
	NO.	DIA.	THICKNESS	NO. OF FLANGE BOLTS PER CLAMP	"A"	"B"
6"	2	1/2"	1/2"	2	2"	7 3/4"
8"	2	5/8"	1/2"	2	2"	8 5/8"
10"	2	3/4"	1/2"	2	2"	7 3/4"
12"	2	1"	1/2"	2	2"	8 1/2"
14"	2	1 1/8"	3/4"	2	2"	9"
16"	2	1 1/4"	7/8"	3	2"	12 1/4"
18"	2	1 3/8"	7/8"	3	2 1/2"	13"
20"	3	1 3/8"	1"	2	2 1/2"	8"
24"	4	1 3/8"	1"	2	2 1/2"	8 3/4"
30"	4	1 3/4"	1"	3	2 1/2"	12 1/4"

FLEXIBLE COUPLING W/ THRUST RESTRAINT
N.T.S.



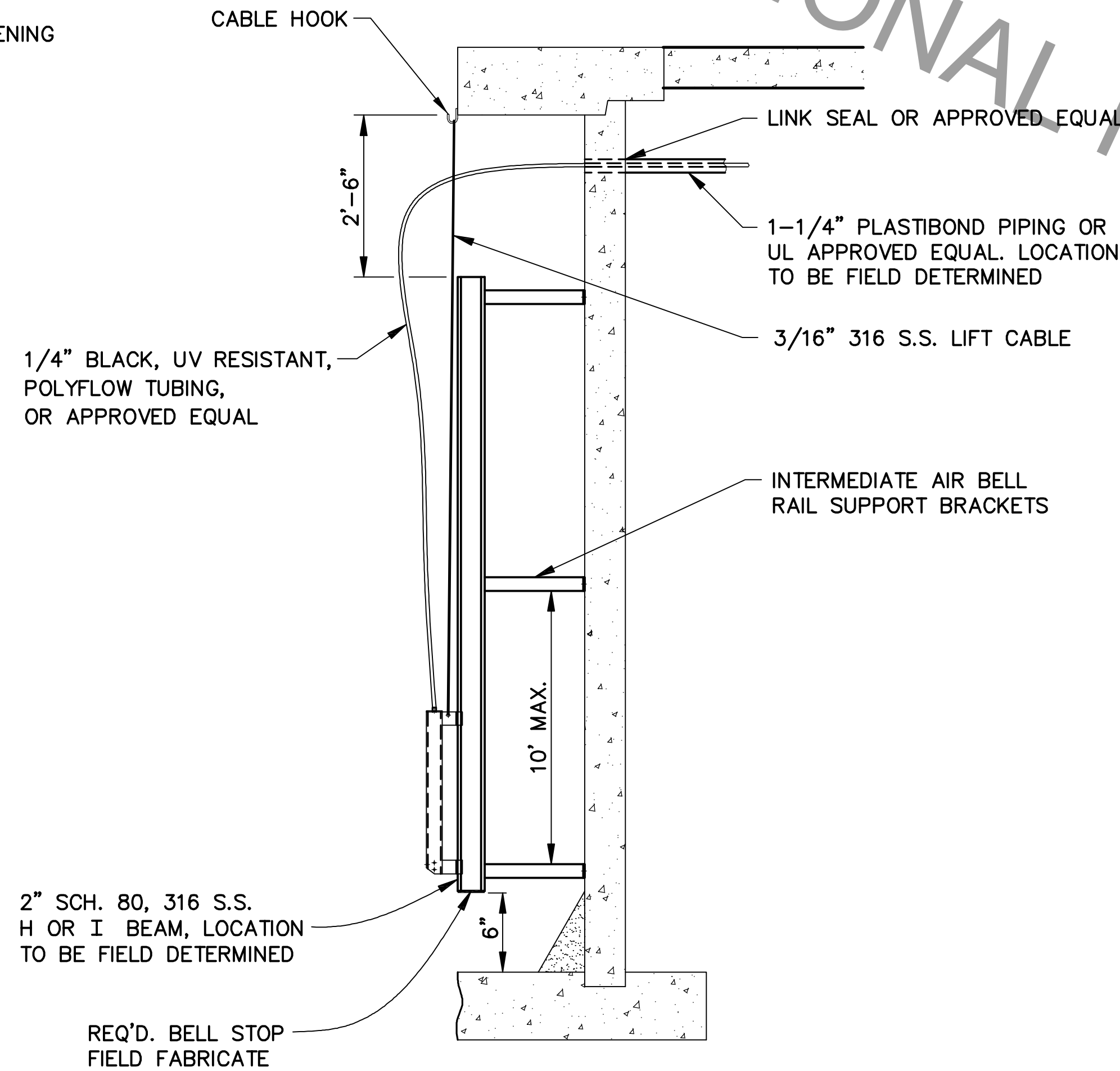
ABOVE GROUND 3/4" BACKFLOW PREVENTER DETAIL
N.T.S.



BOTTOM VIEW

CAPTIVE AIR SLEEVE DETAIL (TYPE I STATION)

SCALE: 1/4"=1"

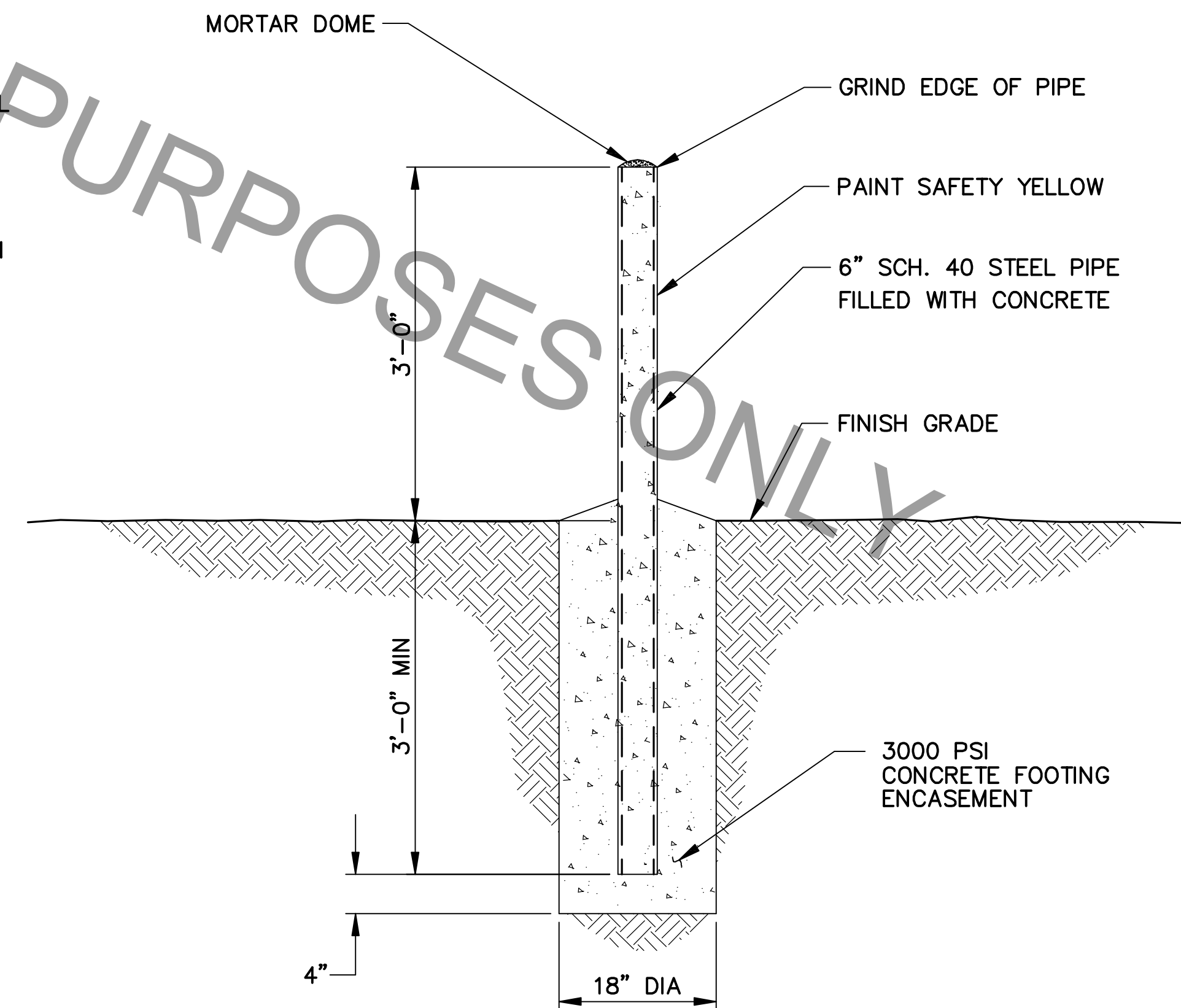


2" SCH. 80, 316 S.S. H OR I BEAM, LOCATION TO BE FIELD DETERMINED

REQ'D. BELL STOP FIELD FABRICATE

CAPTIVE AIR SYSTEM DETAIL (TYPE I STATION)

SCALE: 1/16"=1"



6" GUARD POST DETAIL

SCALE: 1"=1'-0"

8/16	REVISED VENT PIPE DETAIL & ADDED FLEX COUPLING DETAIL	A.M.S.
4/13	REVISED TITLE BLOCK	A.S.
DATE	DESCRIPTION	BY
	REVISIONS	



AUGUST 25, 2016

STANDARD PLAN NO. 805-04	DATED AUGUST 1, 2011	SHEET NO. 1 OF 2
-----------------------------	-------------------------	---------------------

MISCELLANEOUS PUMP STATION DETAILS

ENGINEERING DIVISION DEPARTMENT OF PUBLIC WORKS CITY OF BATON ROUGE & PARISH OF EAST BATON ROUGE			
DESIGNED A. SCHULZE	DRAWN G. VANNICE	CHECKED N. COBB	APPROVED A. SMITH