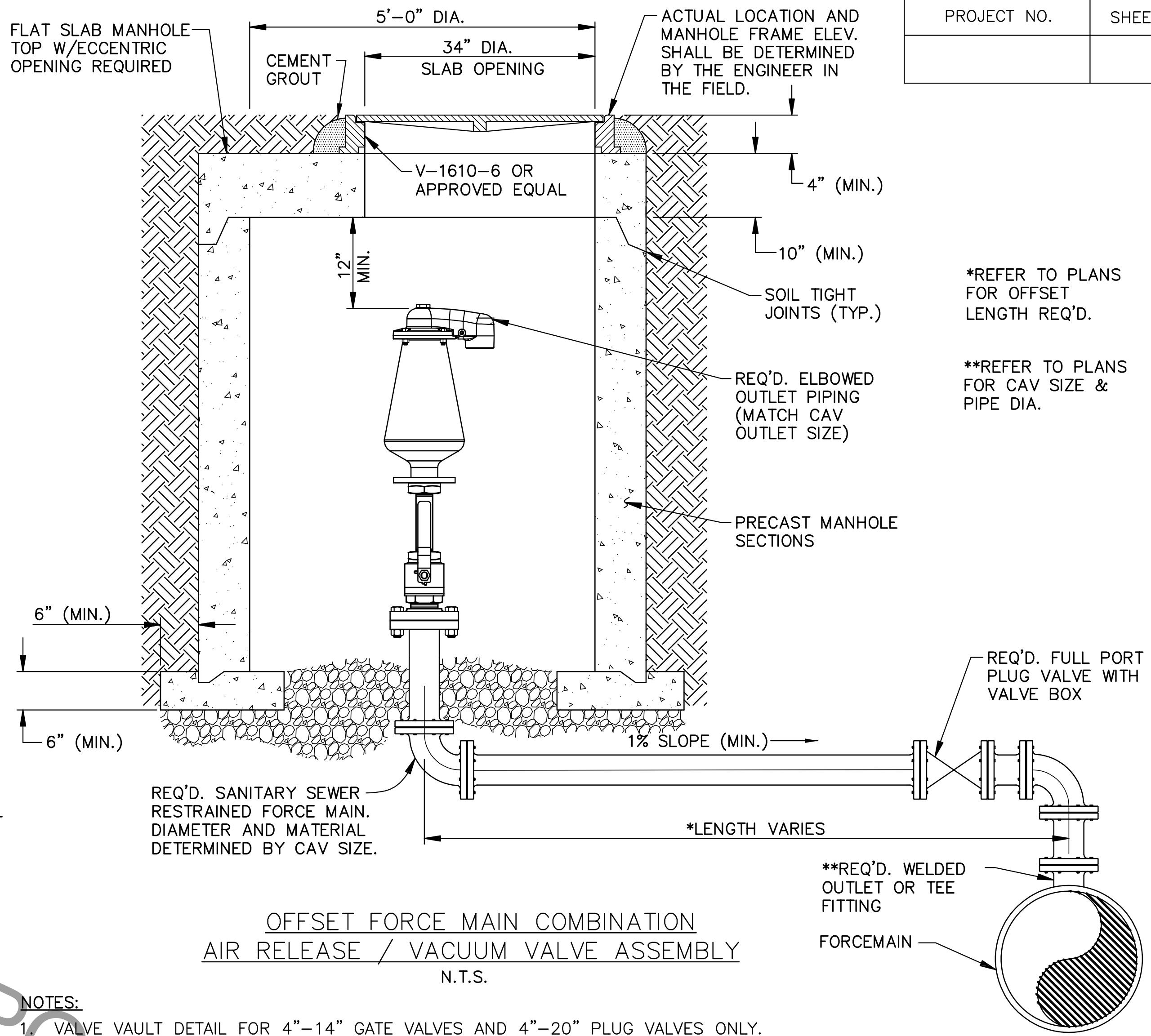
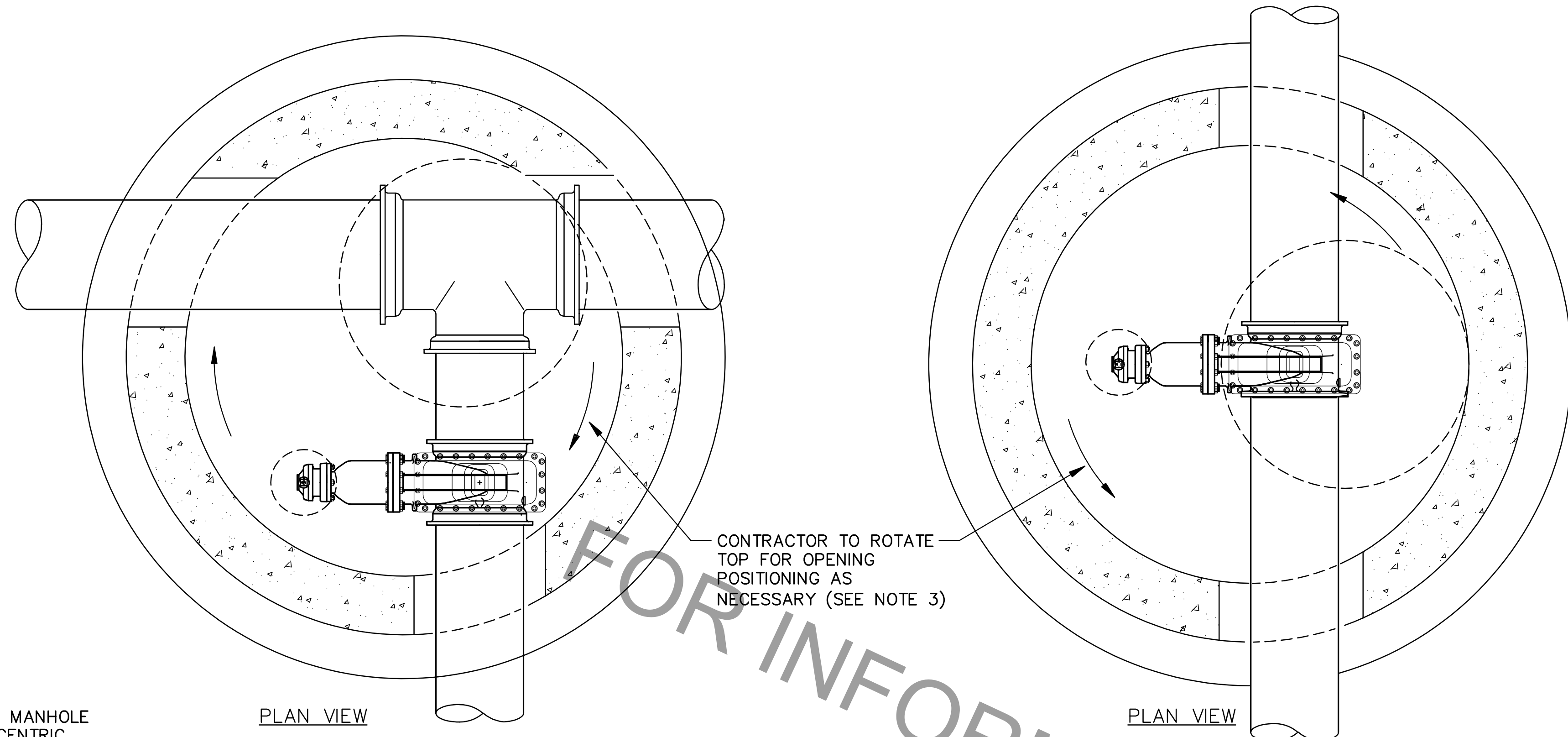
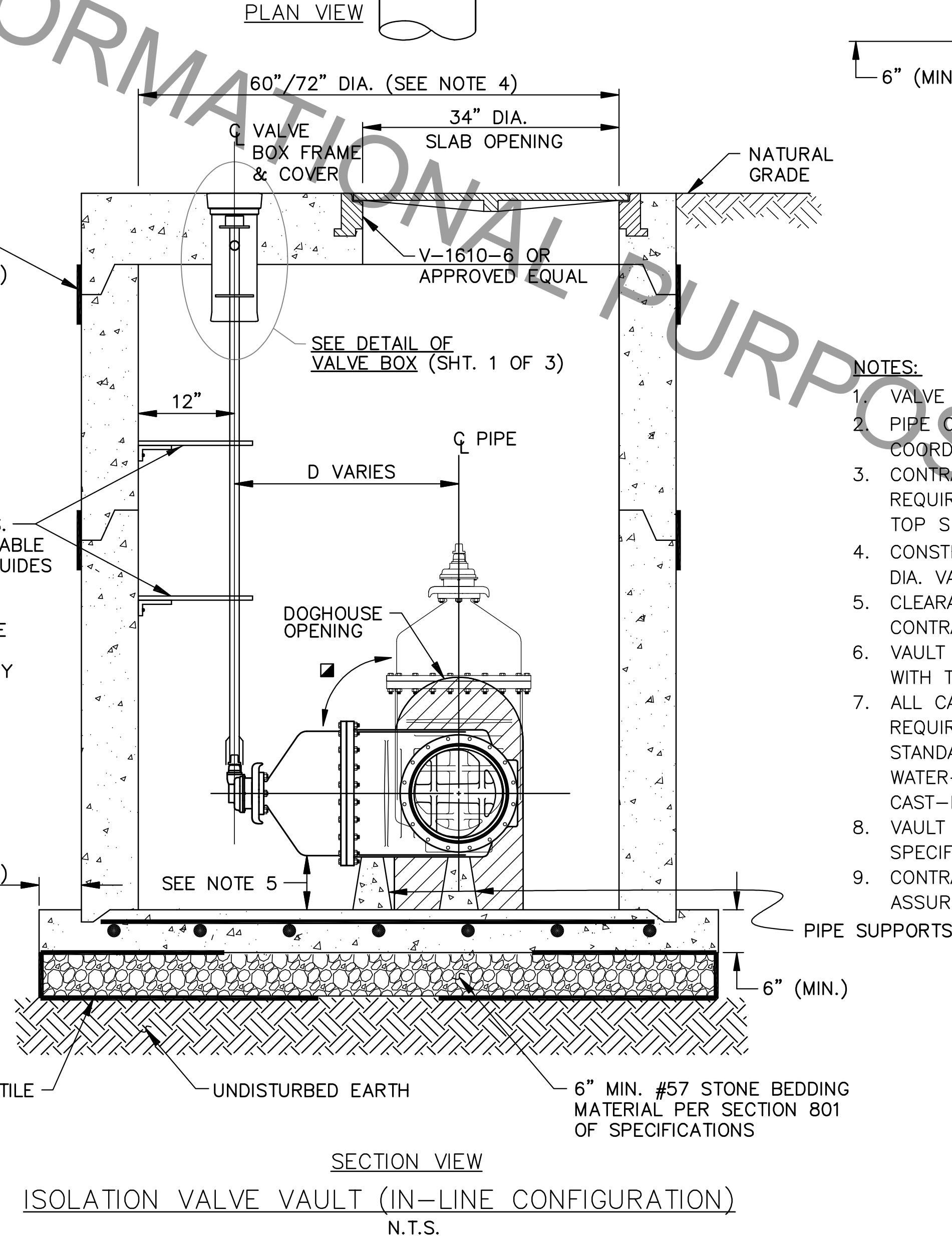
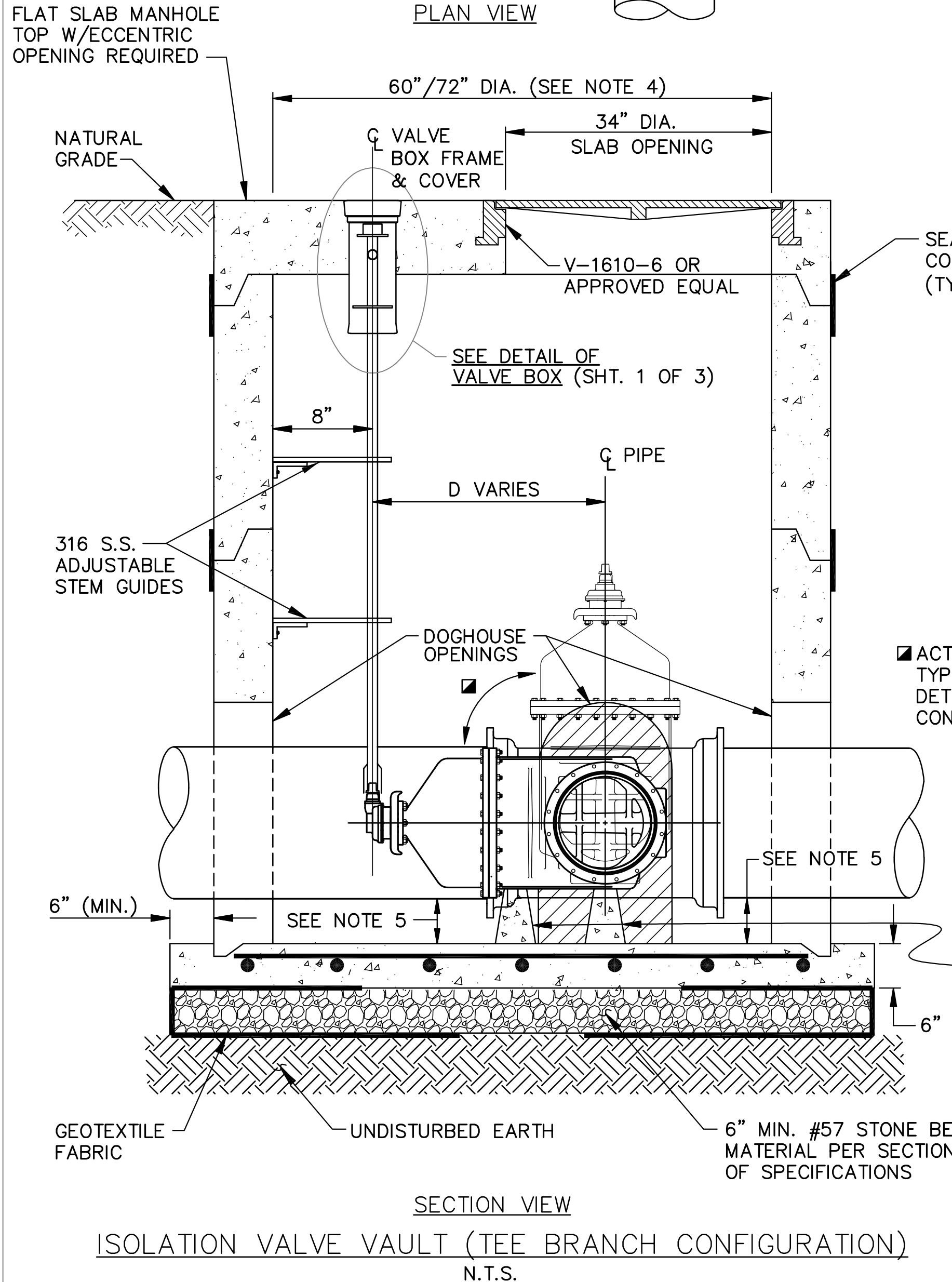


PROJECT NO.	SHEET



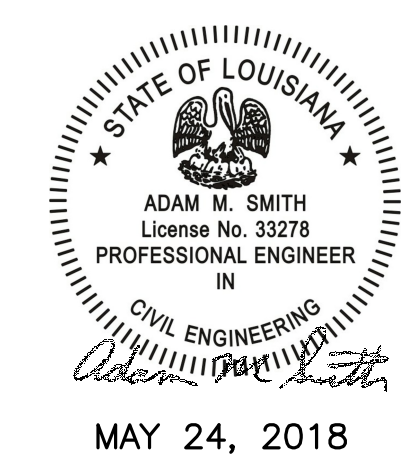
*REFER TO PLANS FOR OFFSET LENGTH REQ'D.

**REFER TO PLANS FOR CAV SIZE & PIPE DIA.



OFFSET FORCE MAIN COMBINATION
AIR RELEASE / VACUUM VALVE ASSEMBLY
N.T.S.

- NOTES:
1. VALVE VAULT DETAIL FOR 4"-14" GATE VALVES AND 4"-20" PLUG VALVES ONLY.
 2. PIPE OFFSET DISTANCE "D" IS BASED ON VALVE TYPE, SIZE, AND MANUFACTURER. CONTRACTOR IS RESPONSIBLE FOR COORDINATING VALVE MEASUREMENTS WITH PRECASTER FOR PROPER FINAL DIMENSIONS.
 3. CONTRACTOR SHALL LOCATE VAULT OVER VALVE BASED ON ACTUAL VALVE ORIENTATION AND LINE CONFIGURATION TO ACHIEVE REQUIRED DISTANCE SHOWN FROM INTERIOR WALL TO THE CENTERLINE OF VALVE EXTENSION STEM. CONTRACTOR MAY ROTATE TOP SLAB AS NECESSARY TO HAVE VALVE STEM CENTERED IN VALVE BOX FRAME.
 4. CONSTRUCT 60" DIA. VAULT FOR FORCE MAINS LESS THAN 24" DIA. AND FOR FORCE MAINS 24" AND LARGER CONSTRUCT 72" DIA. VAULT.
 5. CLEARANCE FROM PIPE TO VAULT INVERT SHALL BE AS NECESSARY TO PROVIDE PROPER SUPPORTS FOR PIPE AND VALVE. CONTRACTOR MAY CHOOSE EITHER CONCRETE OR ADJUSTABLE SUPPORTS.
 6. VAULT SECTIONS SHALL BE JOINED TOGETHER WITH FLEXIBLE GASKETS AND EXTERNALLY SEALED AT THE JOINTS IN ACCORDANCE WITH THE SPECIFICATIONS. REINFORCING FOR PRE-CAST SECTIONS AS PER ASTM C-478.
 7. ALL CAST IRON FRAME AND COVERS SHALL BE TRAFFIC BEARING. FRAME AND COVERS SHALL MEET OR EXCEED ALL REQUIREMENTS OF THE LATEST AMERICAN ASSOCIATION OF STATE HIGHWAY AND TRANSPORTATION OFFICIALS DESIGNATION: M306 STANDARD SPECIFICATION FOR DRAINAGE, SEWER, UTILITY, AND RELATED CASTINGS. THEY SHALL HAVE AN ENVIRONMENTALLY SAFE, WATER-BASE ASPHALTIC COATING WHICH IS NON-TOXIC, NONFLAMMABLE, COLORLESS, AND DRIES TO A HARD BLACK FINISH. CAST-IRON FRAMES SHALL BE CAST INTO AND FLUSH WITH THE VAULT FLAT TOP SLAB SURFACE.
 8. VAULT BEDDING, BACKFILL, AND COMPACTION SHALL BE IN ACCORDANCE WITH THE SAME REQUIREMENTS FOR MANHOLES IN THE SPECIFICATIONS AND STANDARD PLAN 803-01.
 9. CONTRACTOR SHALL NEATLY FILL DOGHOUSE OPENING AROUND PIPES WITH BRICK AND APPROVED NON-SHRINK GROUT TO ASSURE A WATERTIGHT SEAL.



STANDARD PLAN NO. 804-01	DATED MAY 24, 2018	SHEET NO. 2 OF 3
-----------------------------	-----------------------	---------------------

FORCE MAIN DETAILS

ENGINEERING DIVISION			
DEPARTMENT OF PUBLIC WORKS			
CITY OF BATON ROUGE & PARISH OF EAST BATON ROUGE			
DESIGNED	DRAWN	CHECKED	APPROVED
J. CRAIN	S. CORTEZ	R. LAMBERT	A. SMITH

DATE	DESCRIPTION	BY
	REVISIONS	