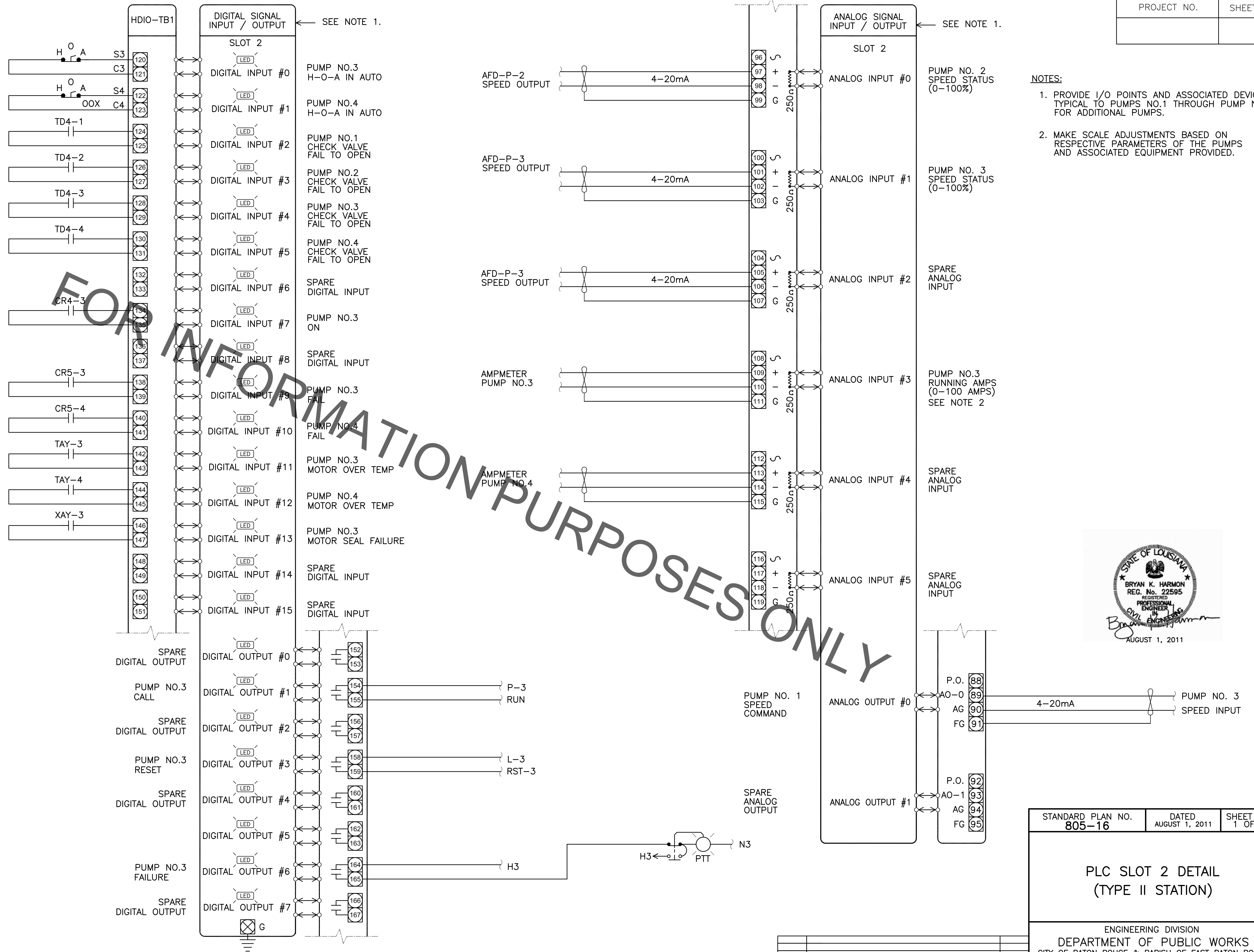


PROJECT NO.	SHEET



- NOTES:
1. PROVIDE I/O POINTS AND ASSOCIATED DEVICES TYPICAL TO PUMPS NO.1 THROUGH PUMP NO.4 FOR ADDITIONAL PUMPS.
 2. MAKE SCALE ADJUSTMENTS BASED ON RESPECTIVE PARAMETERS OF THE PUMPS AND ASSOCIATED EQUIPMENT PROVIDED.



STANDARD PLAN NO. 805-16	DATED AUGUST 1, 2011	SHEET NO. 1 OF 1
-----------------------------	-------------------------	---------------------

**PLC SLOT 2 DETAIL
(TYPE II STATION)**

ENGINEERING DIVISION DEPARTMENT OF PUBLIC WORKS CITY OF BATON ROUGE & PARISH OF EAST BATON ROUGE			
DESIGNED	DRAWN	CHECKED	APPROVED
A. SCHULZE	G. VANNICE	R. WRIGHT	B. HARMON

DATE	MISC. REVISIONS	DESCRIPTION REVISIONS	BY
4-13			A.S.