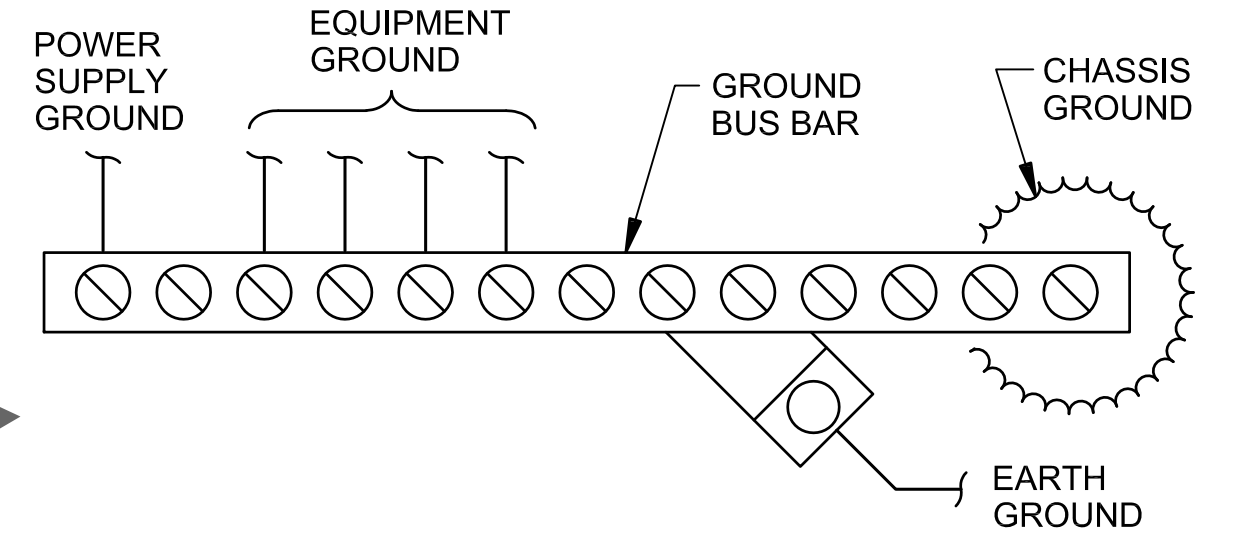
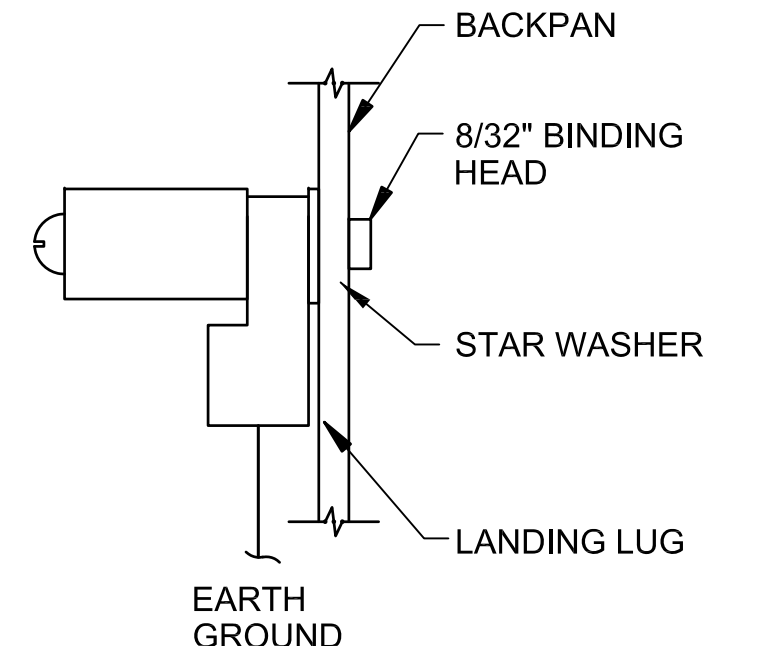
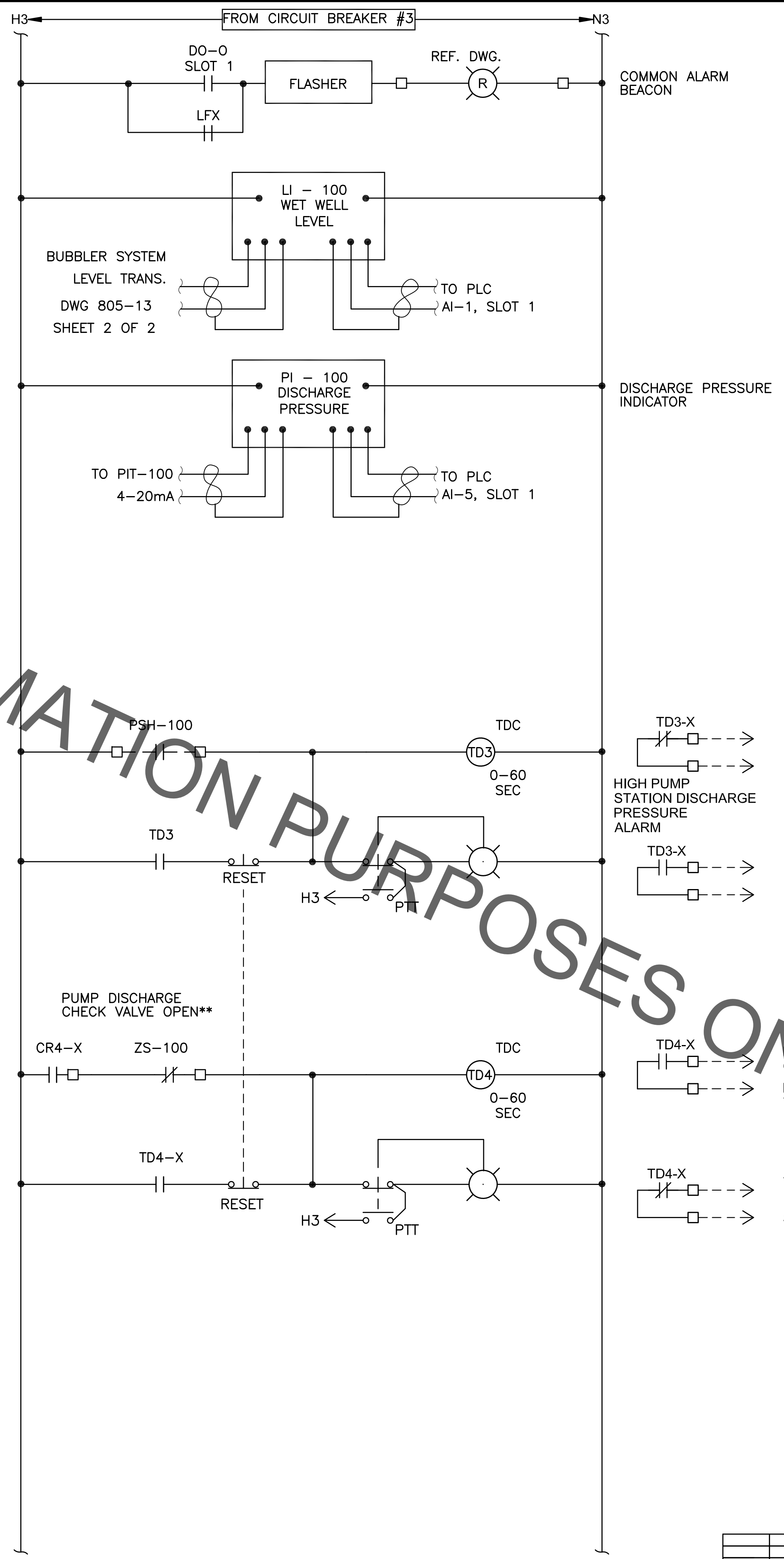


PROJECT NO.	SHEET

- NOTES:
1. PROVIDE EITHER A 24VDC BATTERY CHARGER WITH BATTERIES, 24VDC INTEGRATED UPS, OR 120VAC UPS WITH 24VDC POWER SUPPLY MEETING THE REQUIREMENTS OF UL508. PROVIDE MEANS TO TAP 12V DC FROM THE BATTERY SYSTEM AS NEEDED TO POWER THE RADIO MODEM. CHANGE RADIO MODEM POWER SUPPLY WIRING TO SAID REQUIREMENT.
 2. PROVIDE ADEQUATELY SIZED FUSE FOR ALL DC LOADS.
 3. ITEMS DENOTED WITH AN ASTERISK (*) ARE FURNISHED BY OTHERS.
 4. TYPICAL FOR PUMP NO. X. X = 1 THRU 3. PUMP MOTOR CONTROLS TYPICAL TO PUMP NO. X = 1. PROVIDE X NUMBER OF RELAYS, LIGHTS, INTERLOCKS AND CONTACTS, ONE FOR EACH PUMP.
 5. OPERATOR INTERFACE TO BE INSTALLED ON THE PANEL FRONT DOOR.
 6. CONVERTER #3 IS NOT REQUIRED IF THE RADIO MODEM IS RATED FOR 12VDC INPUT POWER SUPPLY.



EQUIPMENT GROUNDING DETAIL
NTS



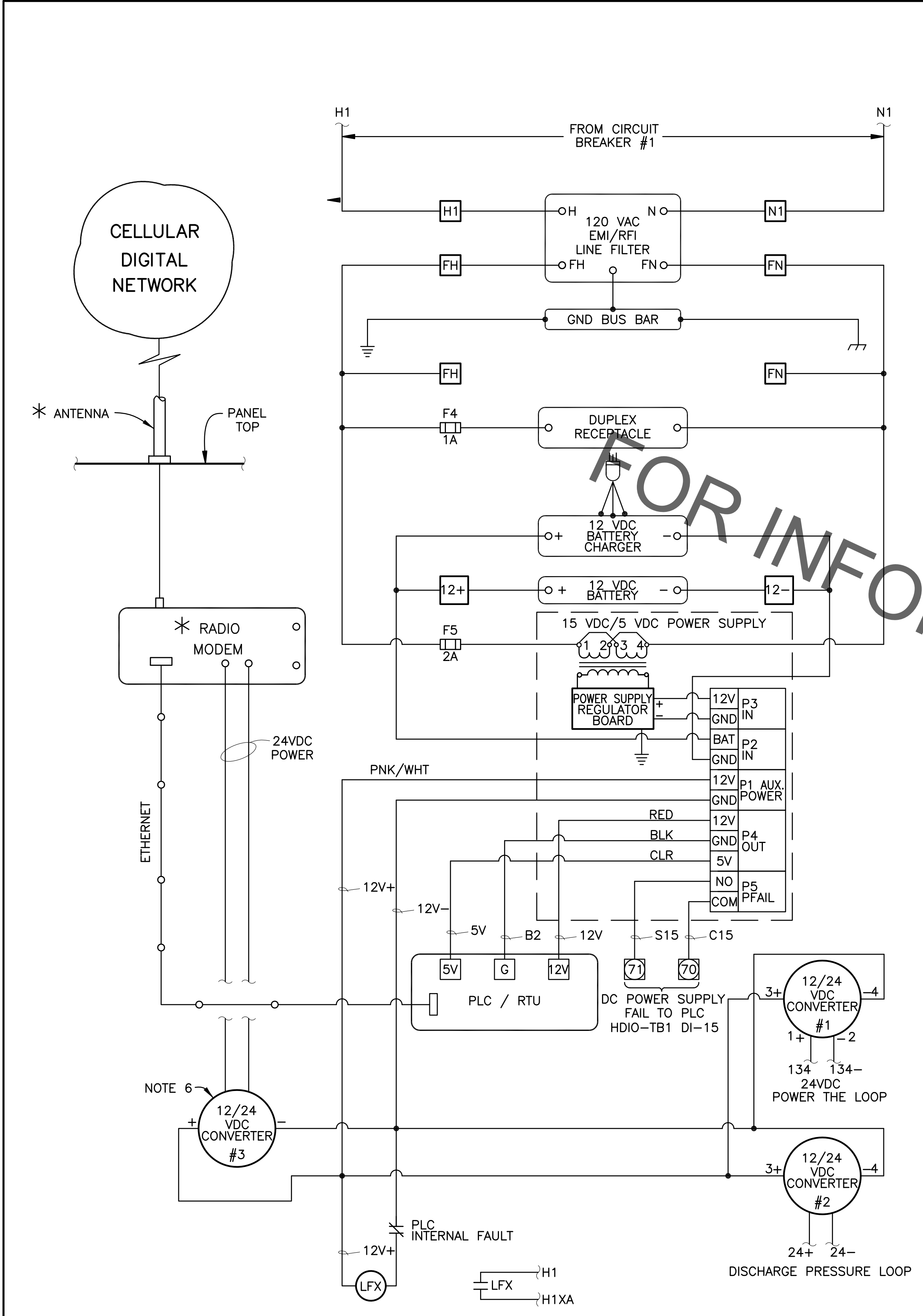
STANDARD PLAN NO. 805-13	DATED AUGUST 1, 2011	SHEET NO. 1 OF 2
-----------------------------	-------------------------	---------------------

POWER DISTRIBUTION
AND PUMP CONTROL DIAGRAM
(TYPE II PUMP STATION)

ENGINEERING DIVISION DEPARTMENT OF PUBLIC WORKS CITY OF BATON ROUGE & PARISH OF EAST BATON ROUGE			
DESIGNED A. SCHULZE	DRAWN G. VANNICE	CHECKED R. WRIGHT	APPROVED B. HARMON

DATE	DESCRIPTION	BY	A.S.
4-13	MISC. REVISIONS		

FOR INFORMATION PURPOSES ONLY



PLC POWER DISTRIBUTION

* ANTENNA & RADIO MODEM
FURNISHED IN FUTURE.

** CONTACT CLOSED WHEN CHECK
VALVE NOT FULLY OPENED.