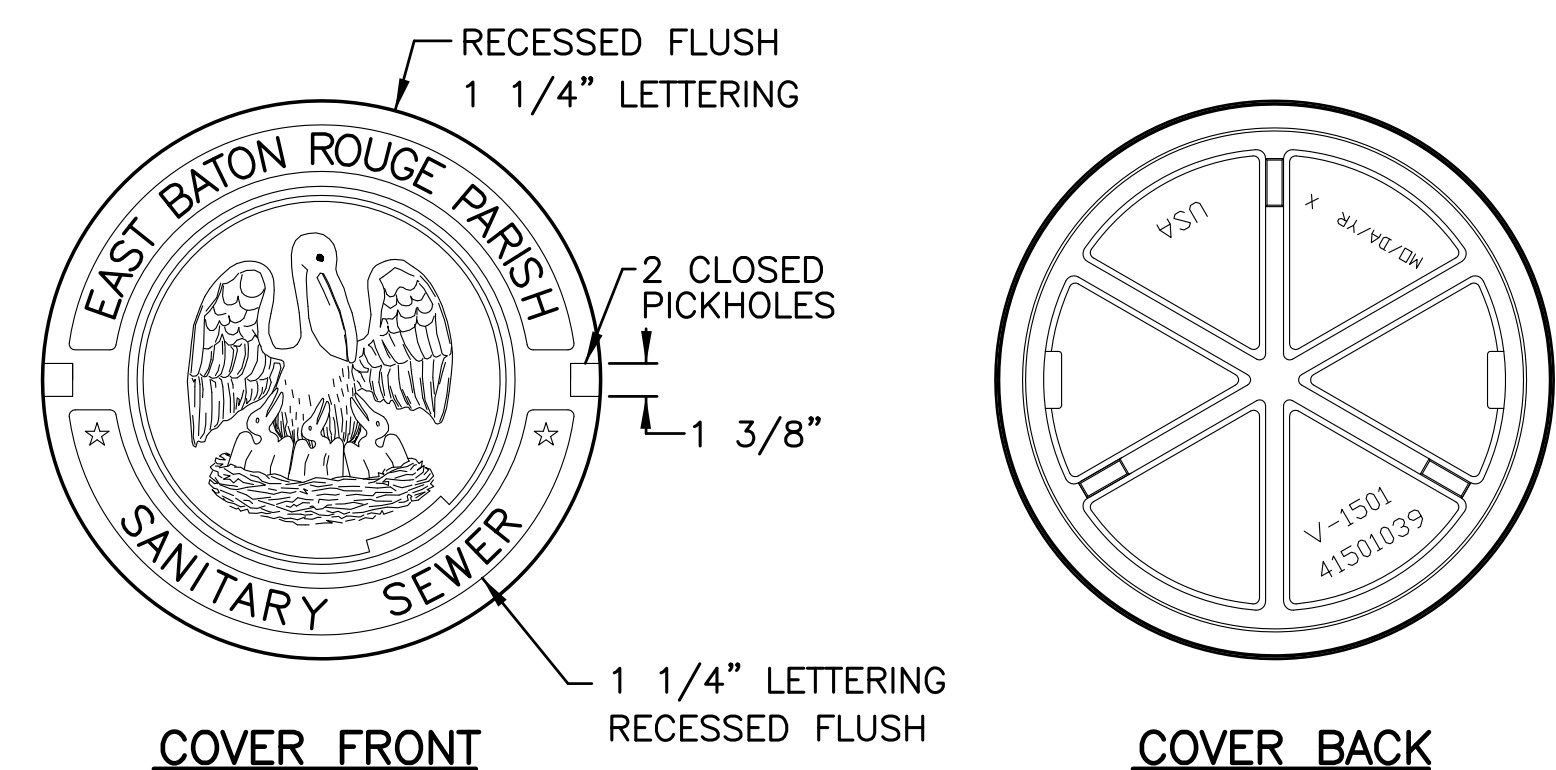
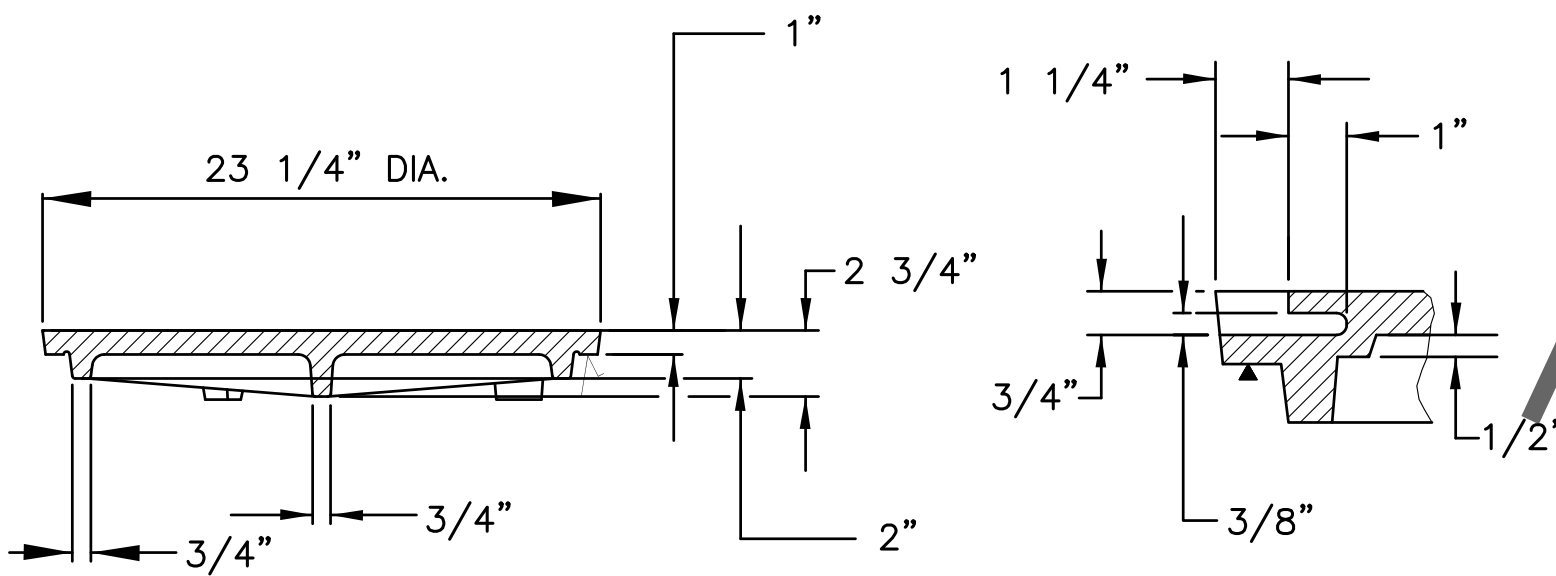


PROJECT NO.	SHEET



COVER FRONT

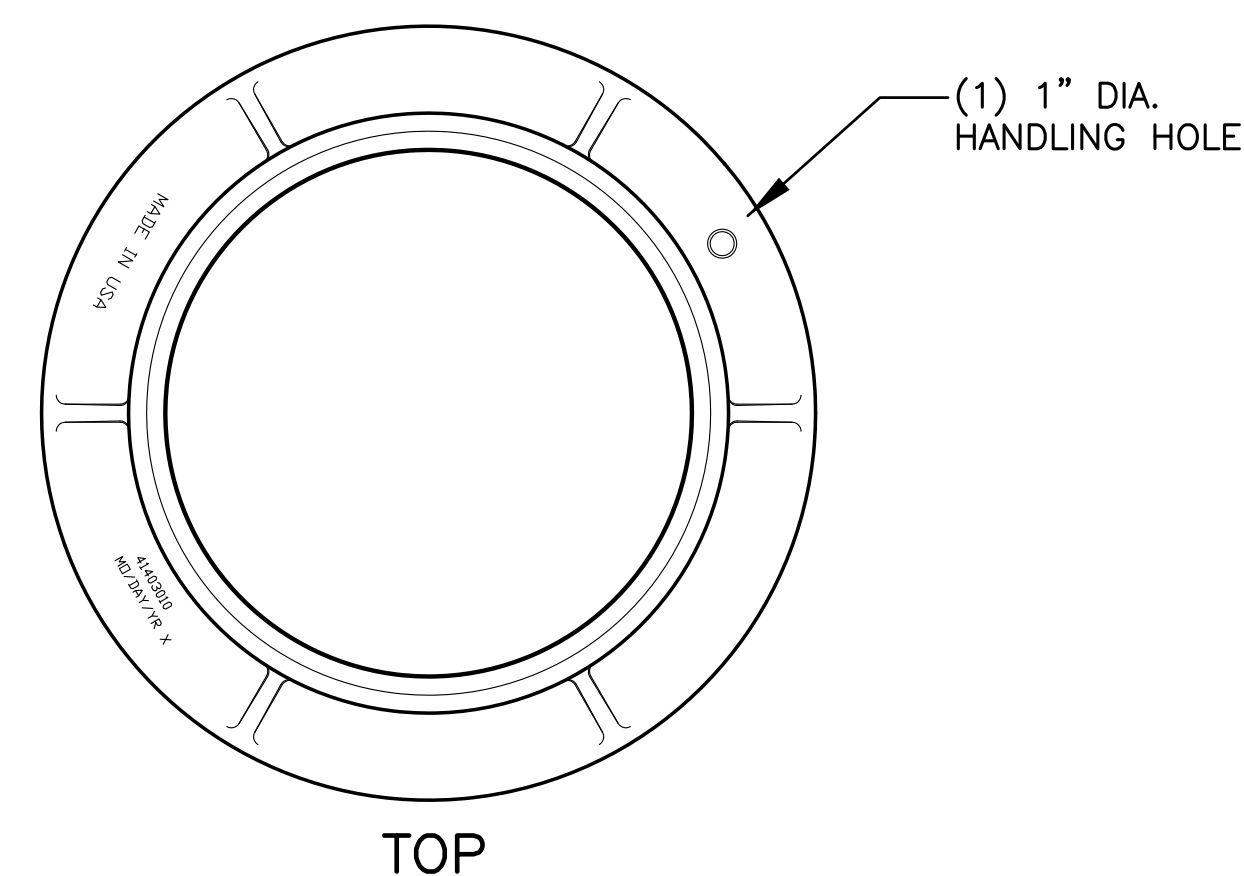
COVER BACK



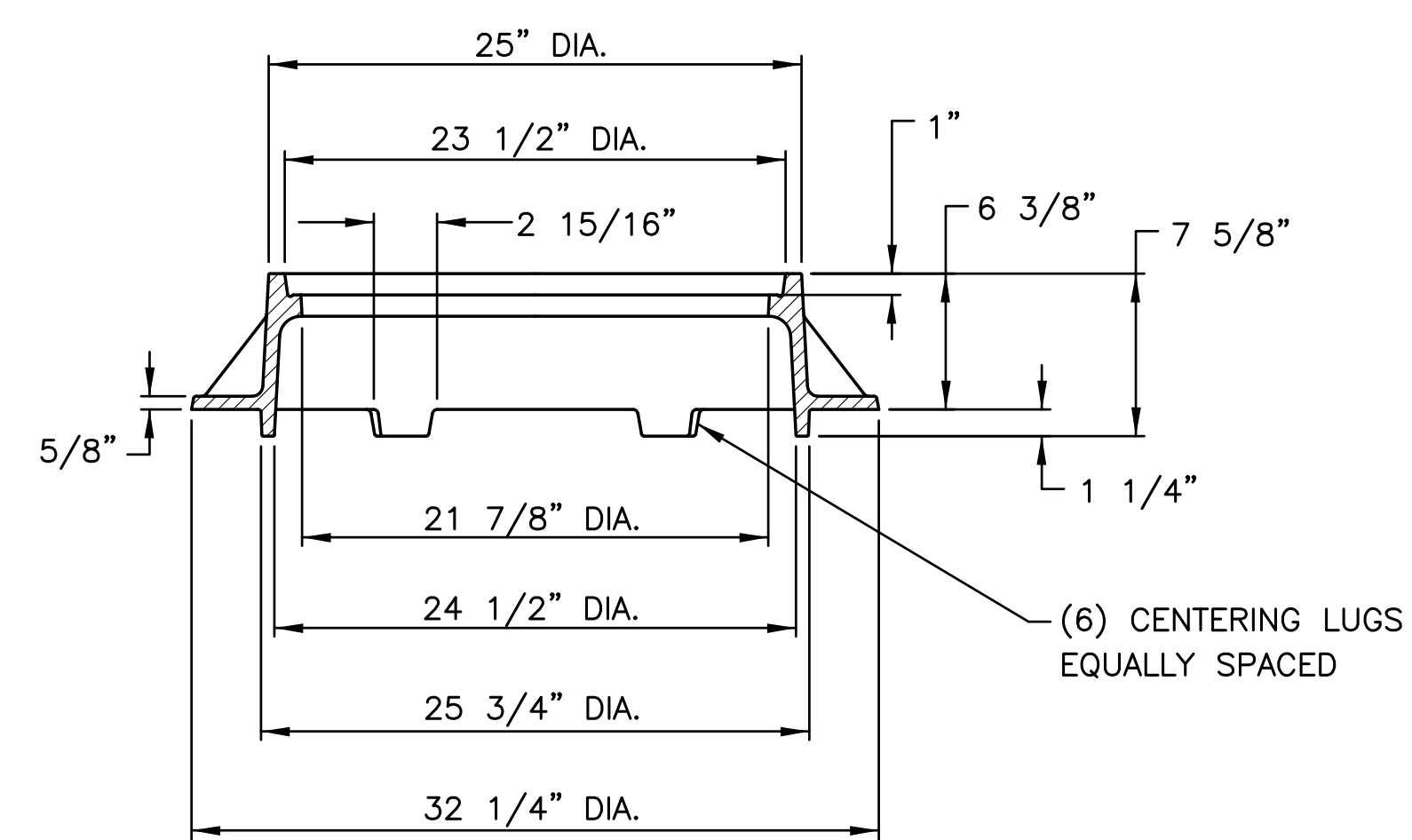
COVER SECTION

PICKHOLE DETAIL

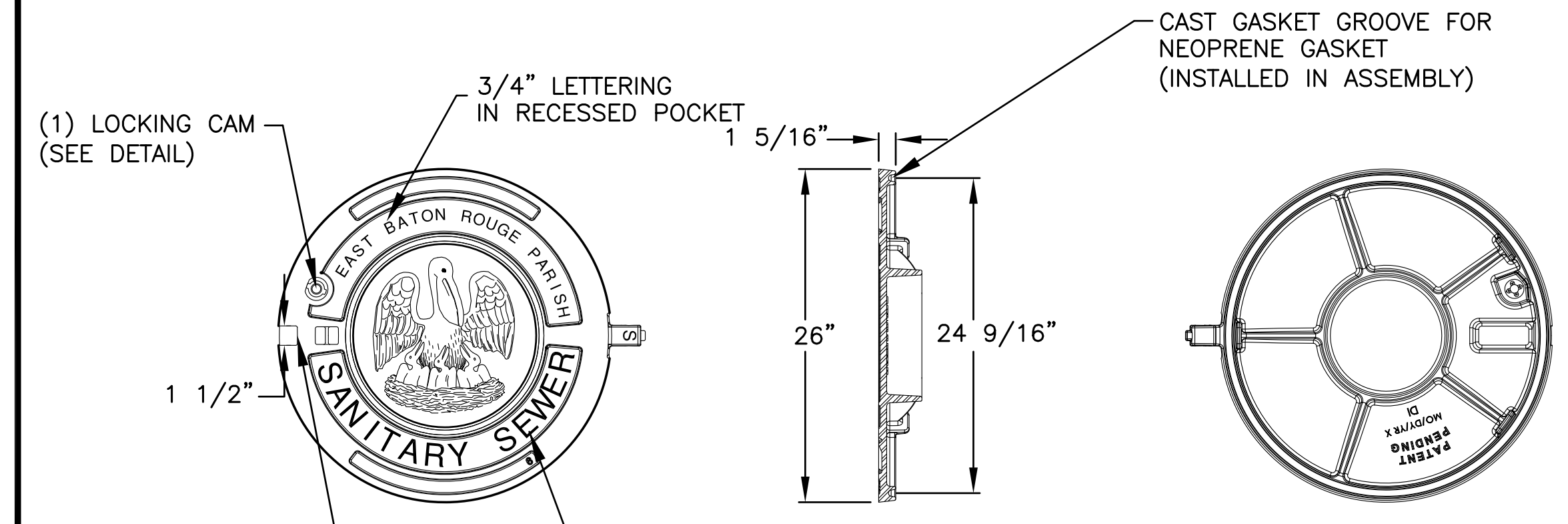
STANDARD HEAVY DUTY MANHOLE COVER  
EJIW MODEL V-1501 OR APPROVED EQUAL



TOP



STANDARD MANHOLE FRAME WITH LUGS  
EJIW MODEL V-1403 OR APPROVED EQUAL



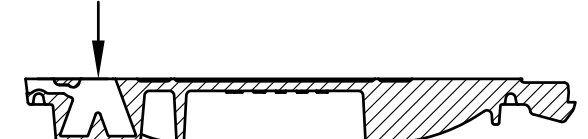
COVER SIDE VIEW

COVER BACK

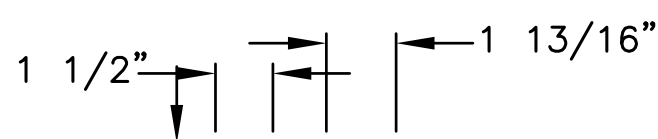


COVER FRONT

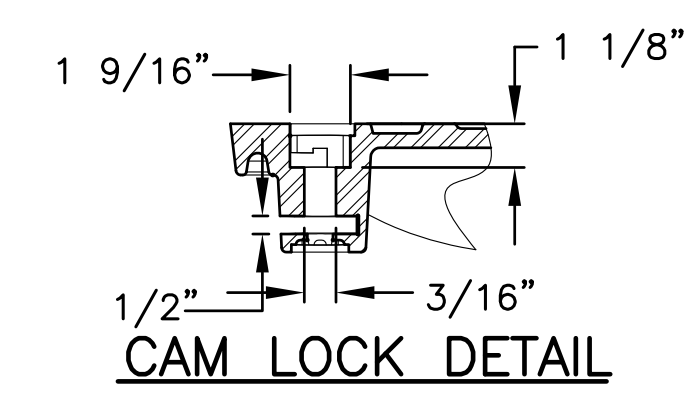
COVER FRONT



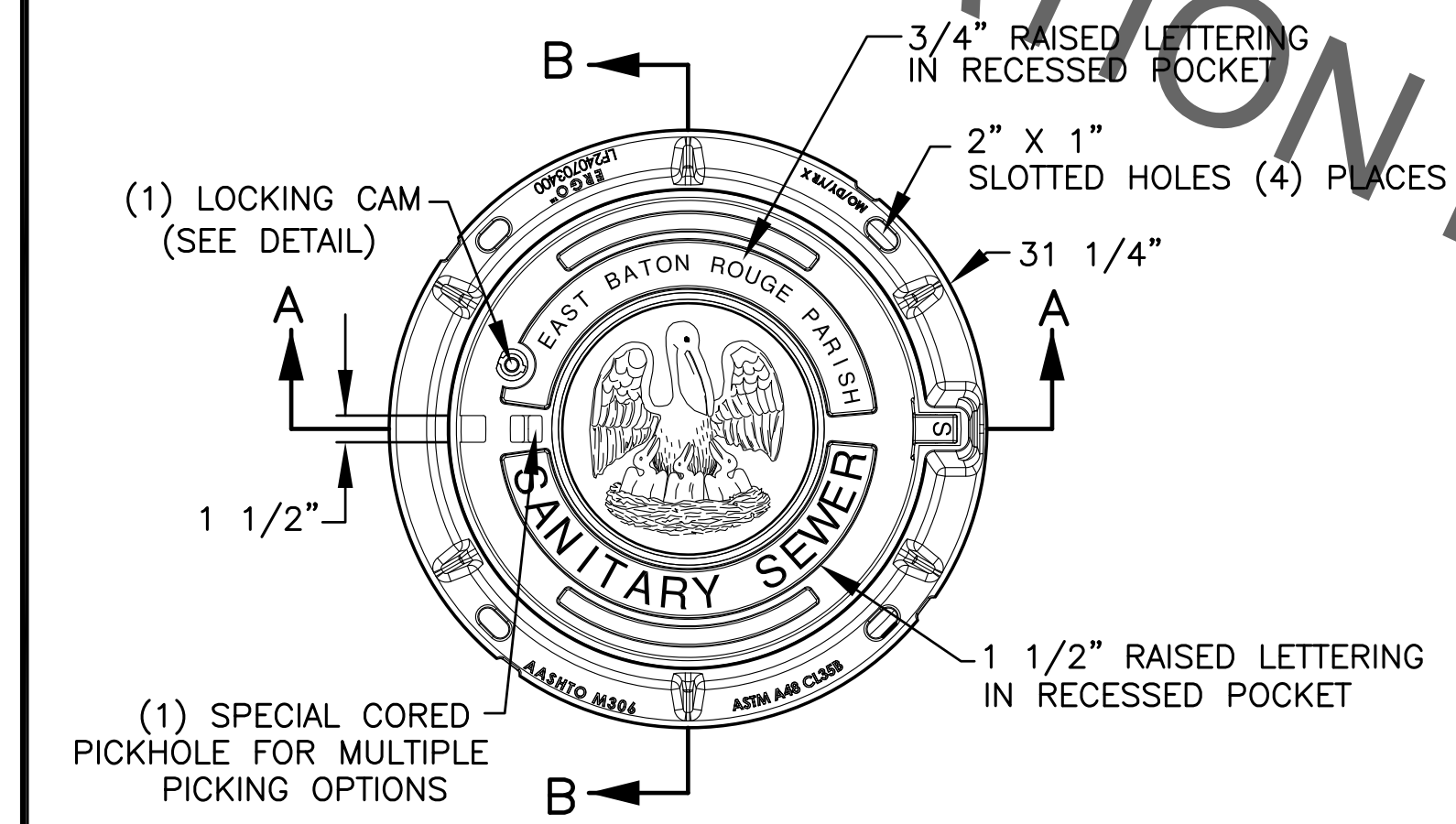
COVER SECTION



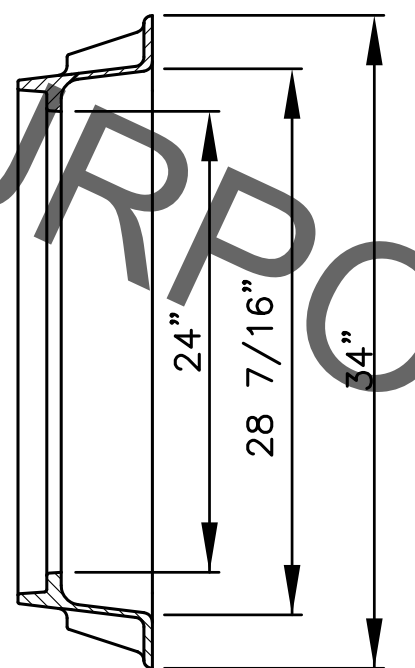
PICKHOLE DETAIL



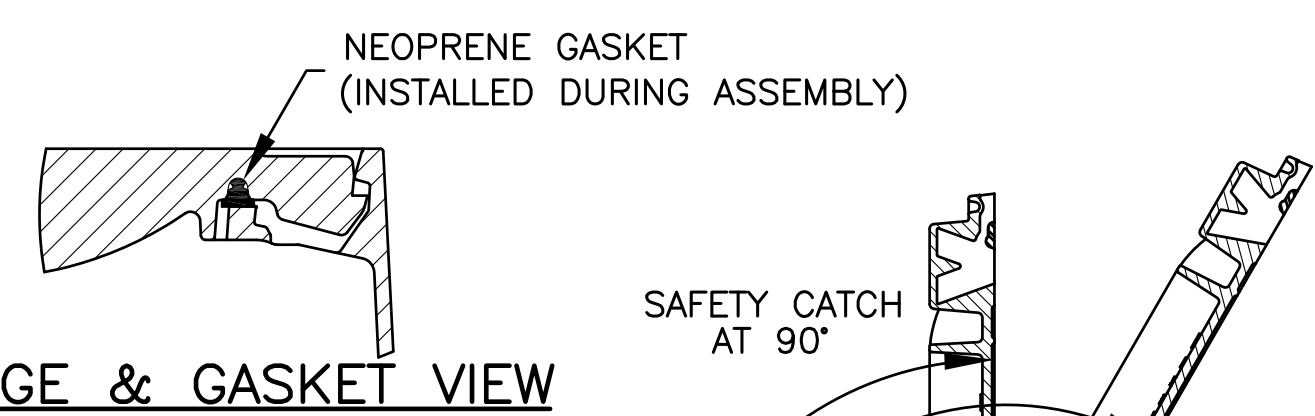
CAM LOCK DETAIL



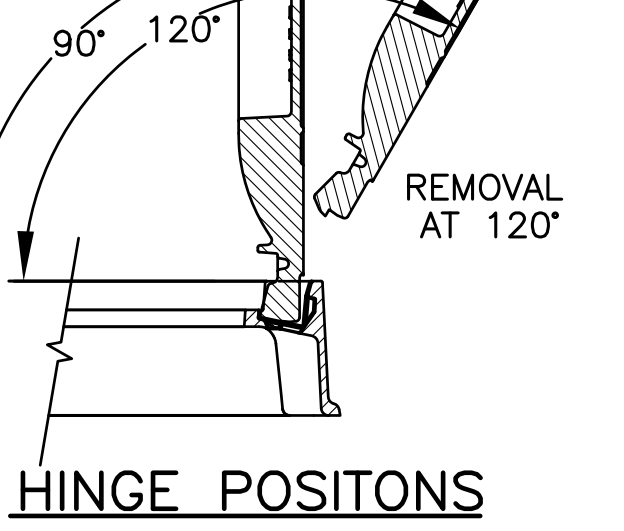
PLAN VIEW



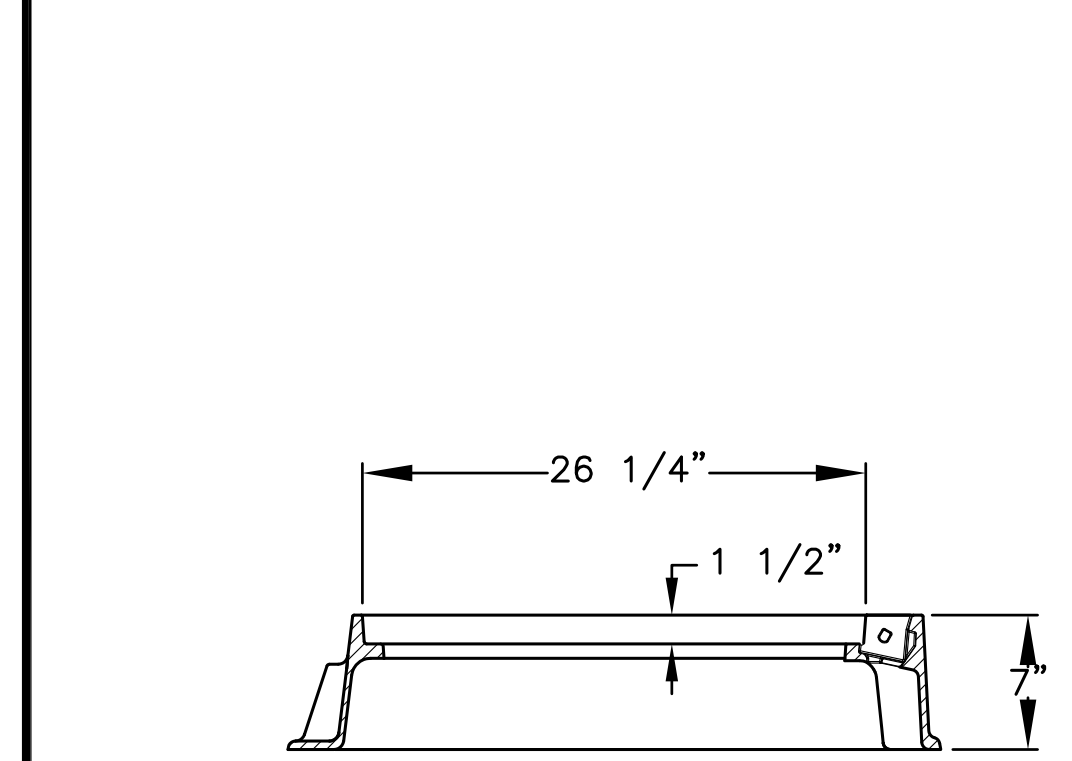
FRAME SECTION B-B



HINGE & GASKET VIEW

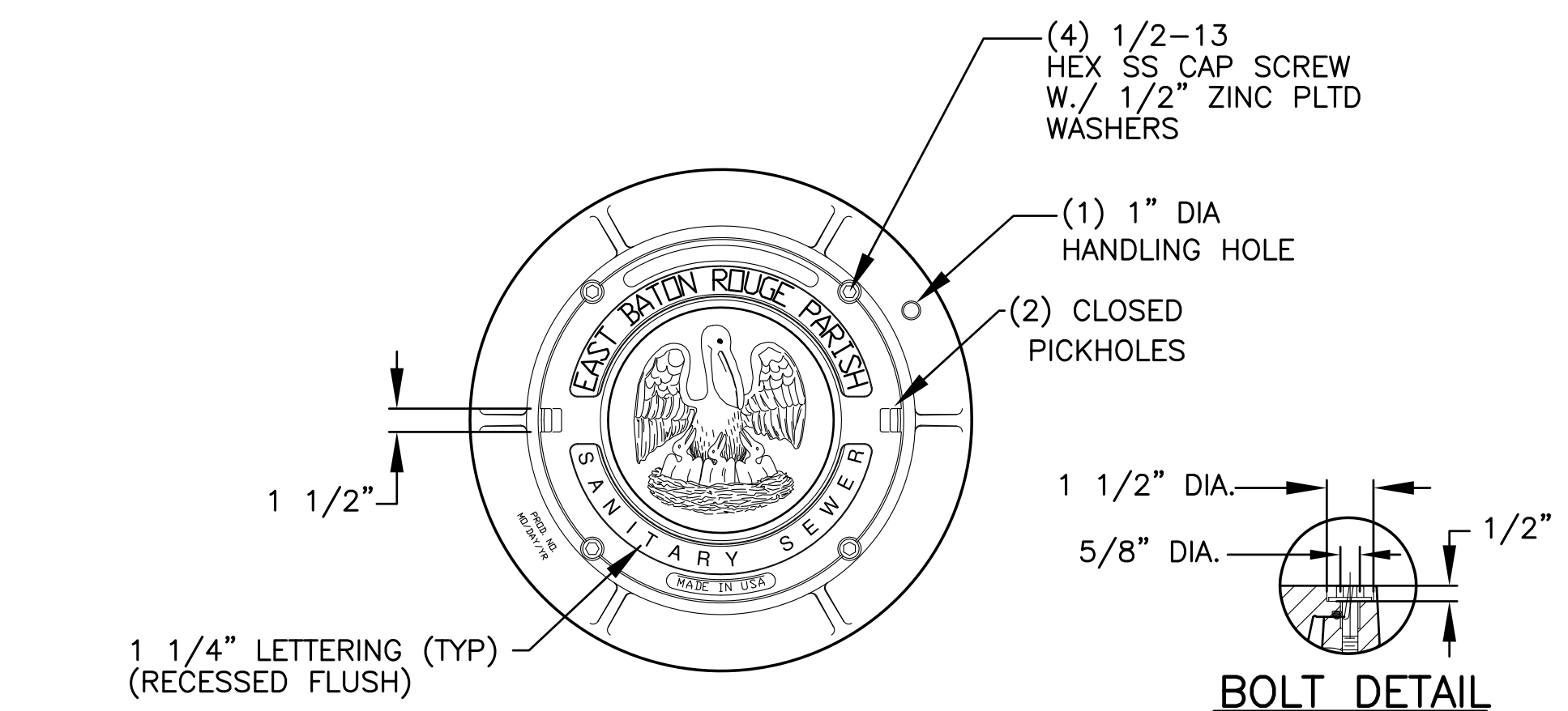


HINGE POSITIONS



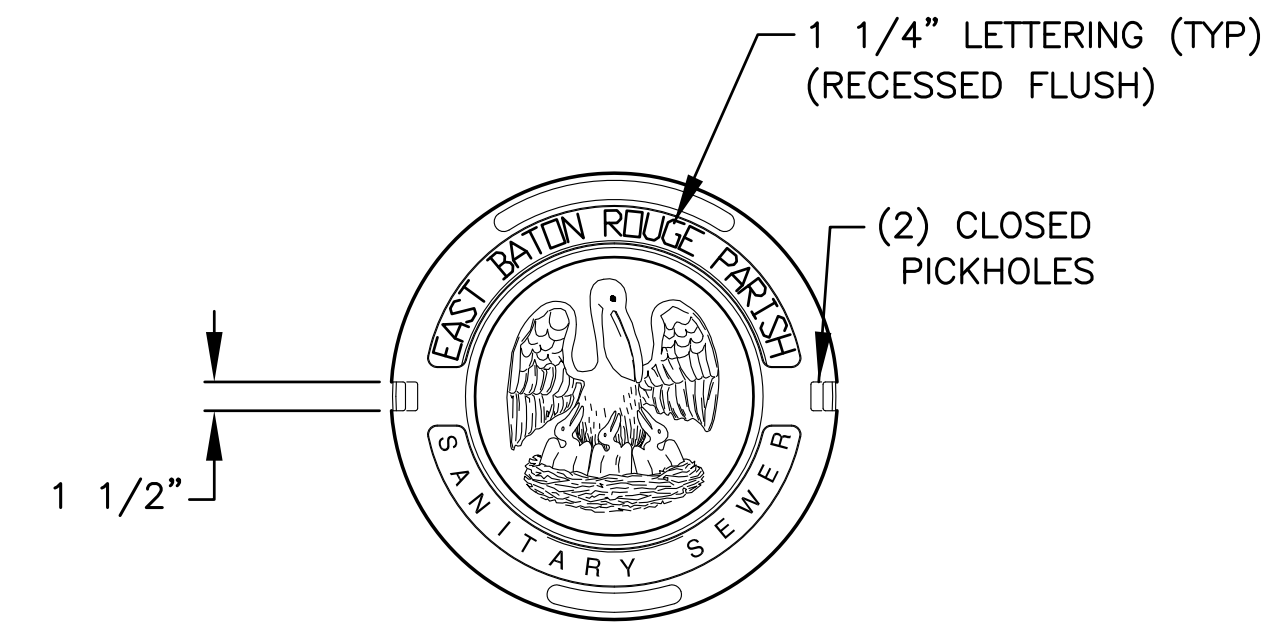
FRAME SECTION A-A

HINGED MANHOLE ASSEMBLY  
EJIW MODEL 24\"/>



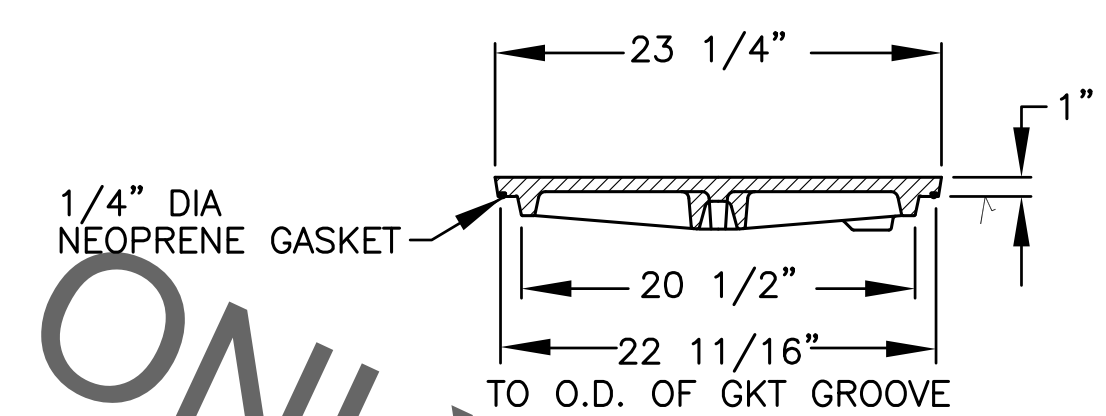
COVER FRONT

COVER BACK

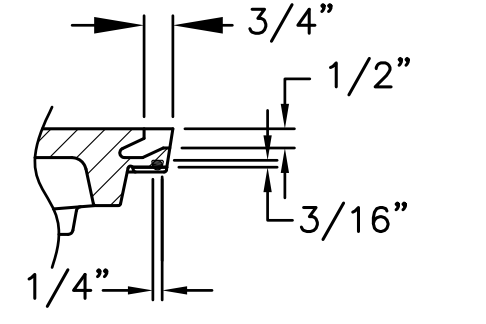


COVER FRONT

COVER BACK



COVER SECTION



GASKET GROOVE & PICKHOLE DETAIL

BOLT DOWN WATERTIGHT MANHOLE ASSEMBLY  
EJIW MODEL V-1501GS OR APPROVED EQUAL (COVER)  
EJIW MODEL V-1403 OR APPROVED EQUAL (FRAME)

GENERAL NOTE:

1. TYPE OF FRAME AND COVER TO BE USED SHALL BE AS SHOWN ON PLANS OR AS DIRECTED BY PROJECT ENGINEER.



DATE	DESCRIPTION	BY

STANDARD PLAN NO. 803-01	DATED AUGUST 1, 2011	SHEET NO. 2 OF 3
-----------------------------	-------------------------	---------------------

SANITARY SEWER MANHOLES

ENGINEERING DIVISION DEPARTMENT OF PUBLIC WORKS CITY OF BATON ROUGE & PARISH OF EAST BATON ROUGE			
DESIGNED A. SCHULZE	DRAWN G. VANNICE	CHECKED R. WRIGHT	APPROVED B. HARMON