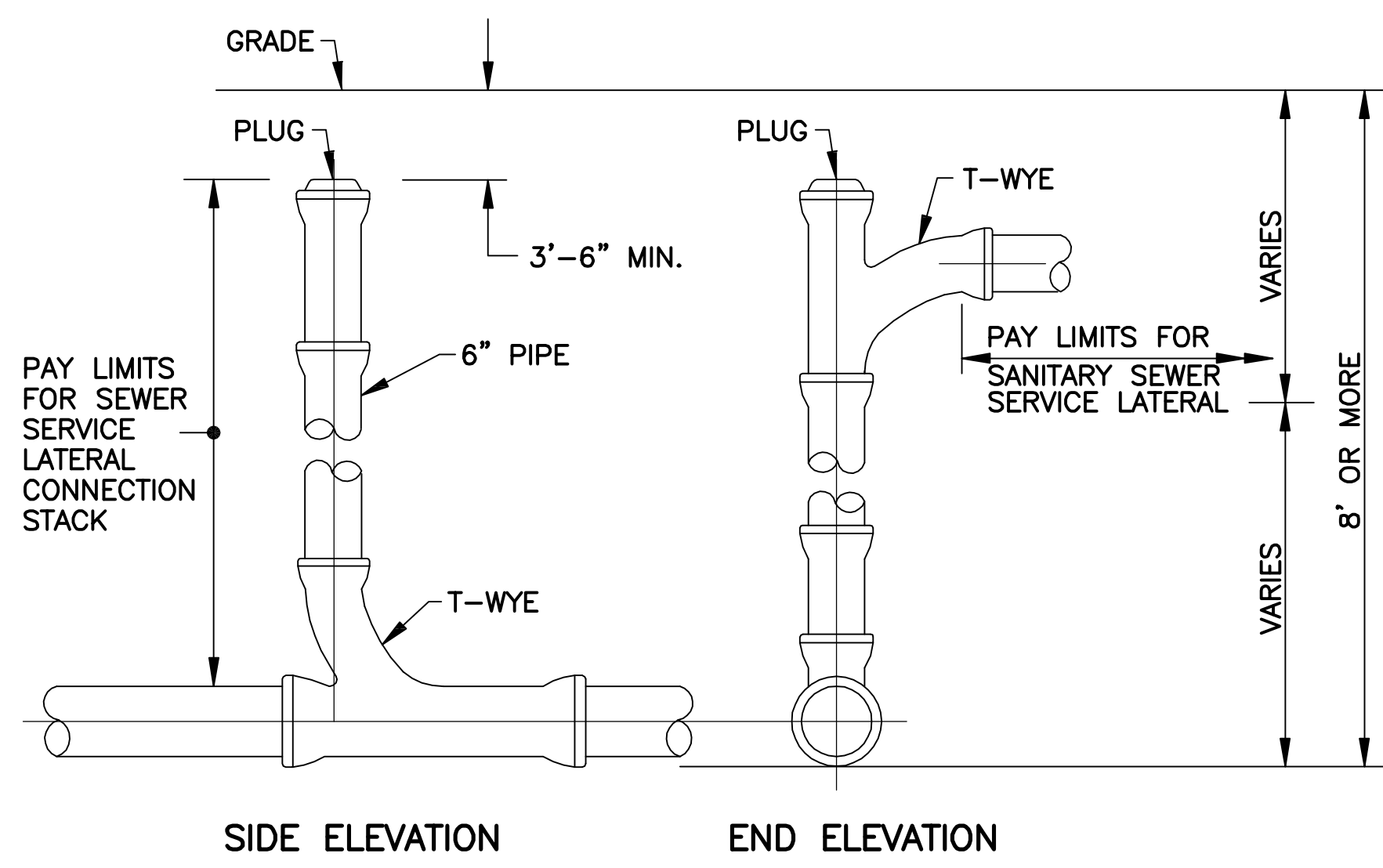
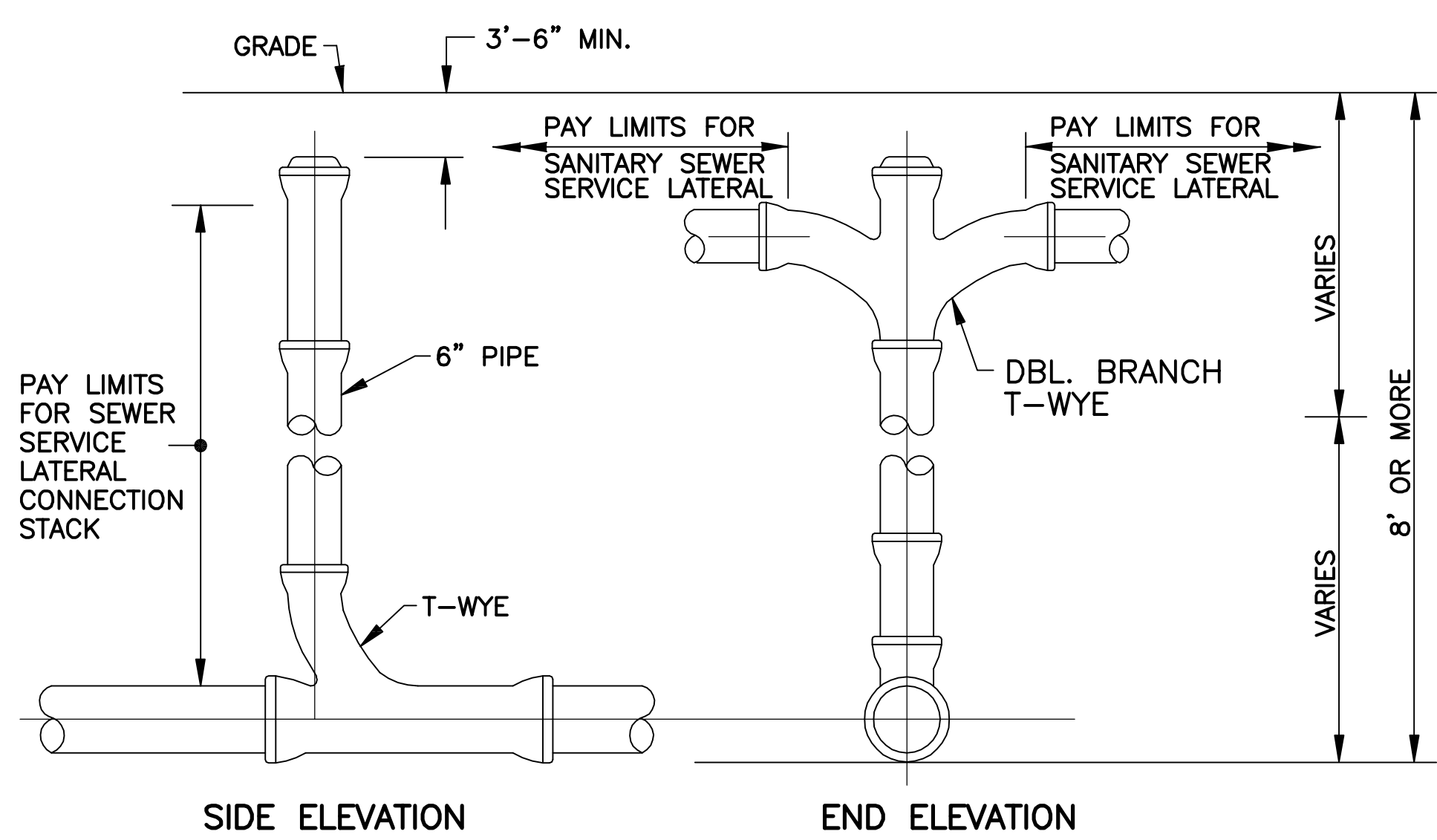


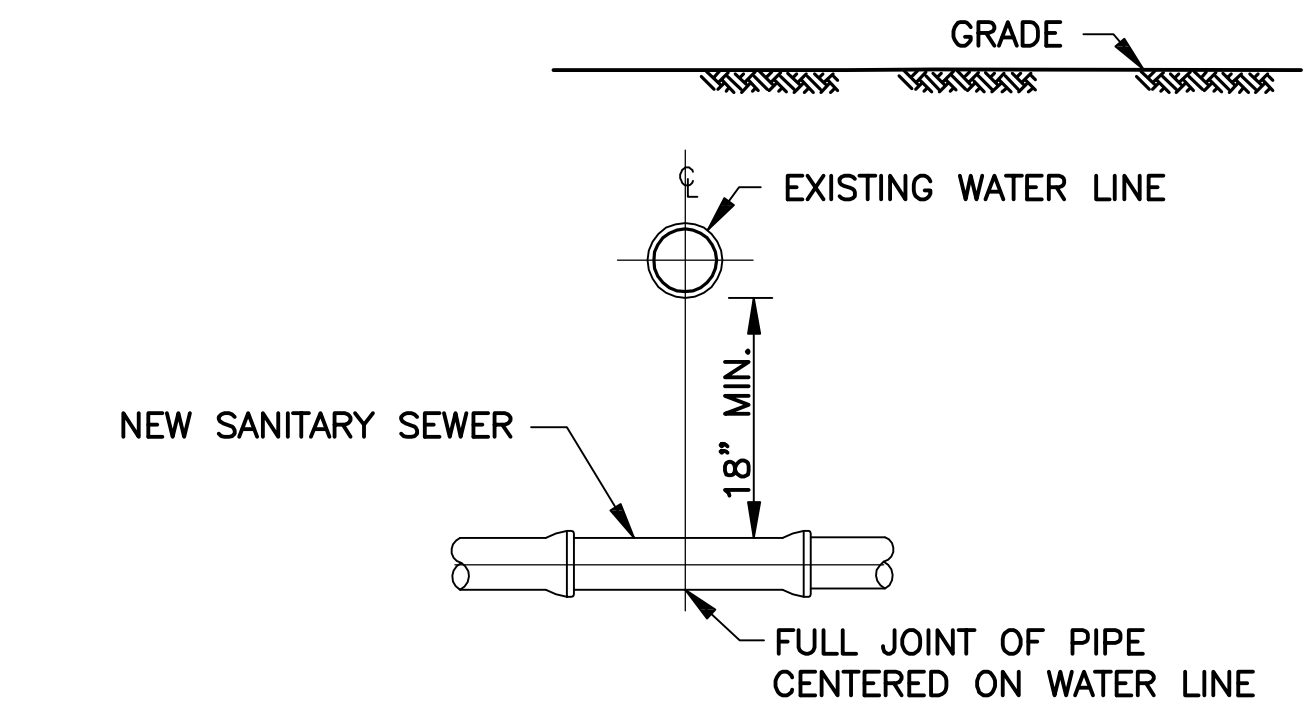
PROJECT NO.	SHEET



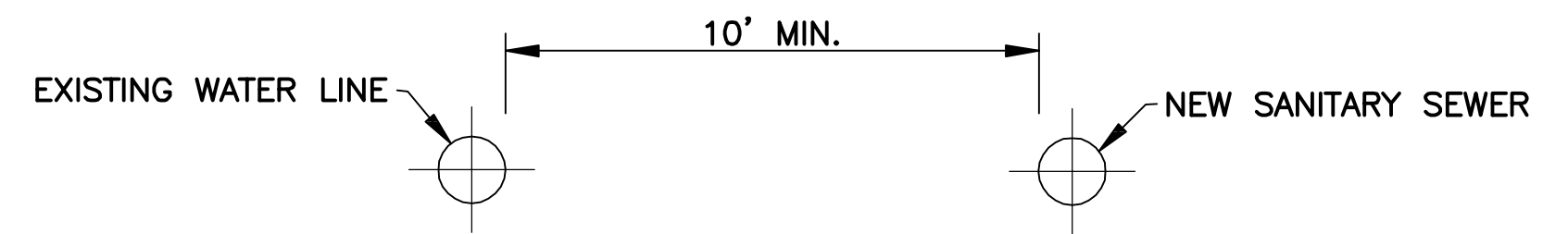
**SEWER SERVICE LATERAL SINGLE CONNECTION STACK**  
SCALE: 3/4"=1'-0"



**SEWER SERVICE LATERAL DOUBLE CONNECTION STACK**  
SCALE: 3/4"=1'-0"

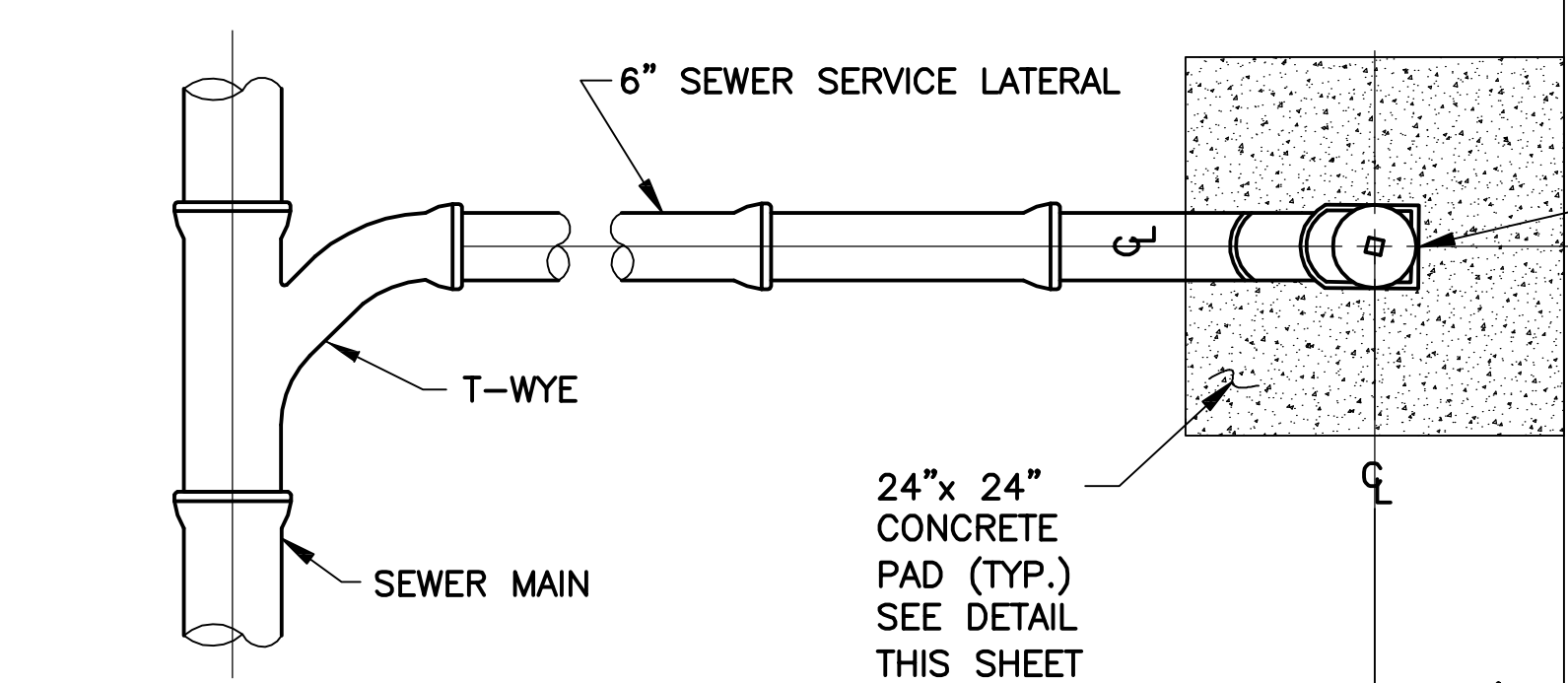


**NEW SANITARY SEWER CROSSING EXISTING WATER LINE**  
SCALE: 3/4"=1'-0"

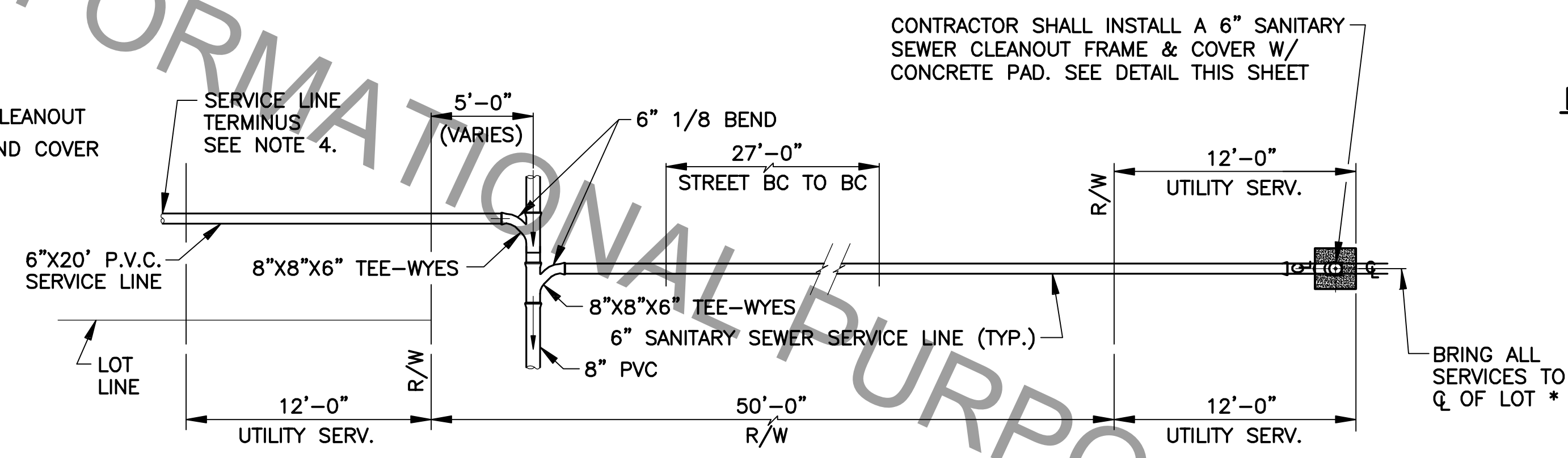


**NEW SANITARY SEWER PARALLEL EXISTING WATER LINE**  
SCALE: 1/2"=1'-0"

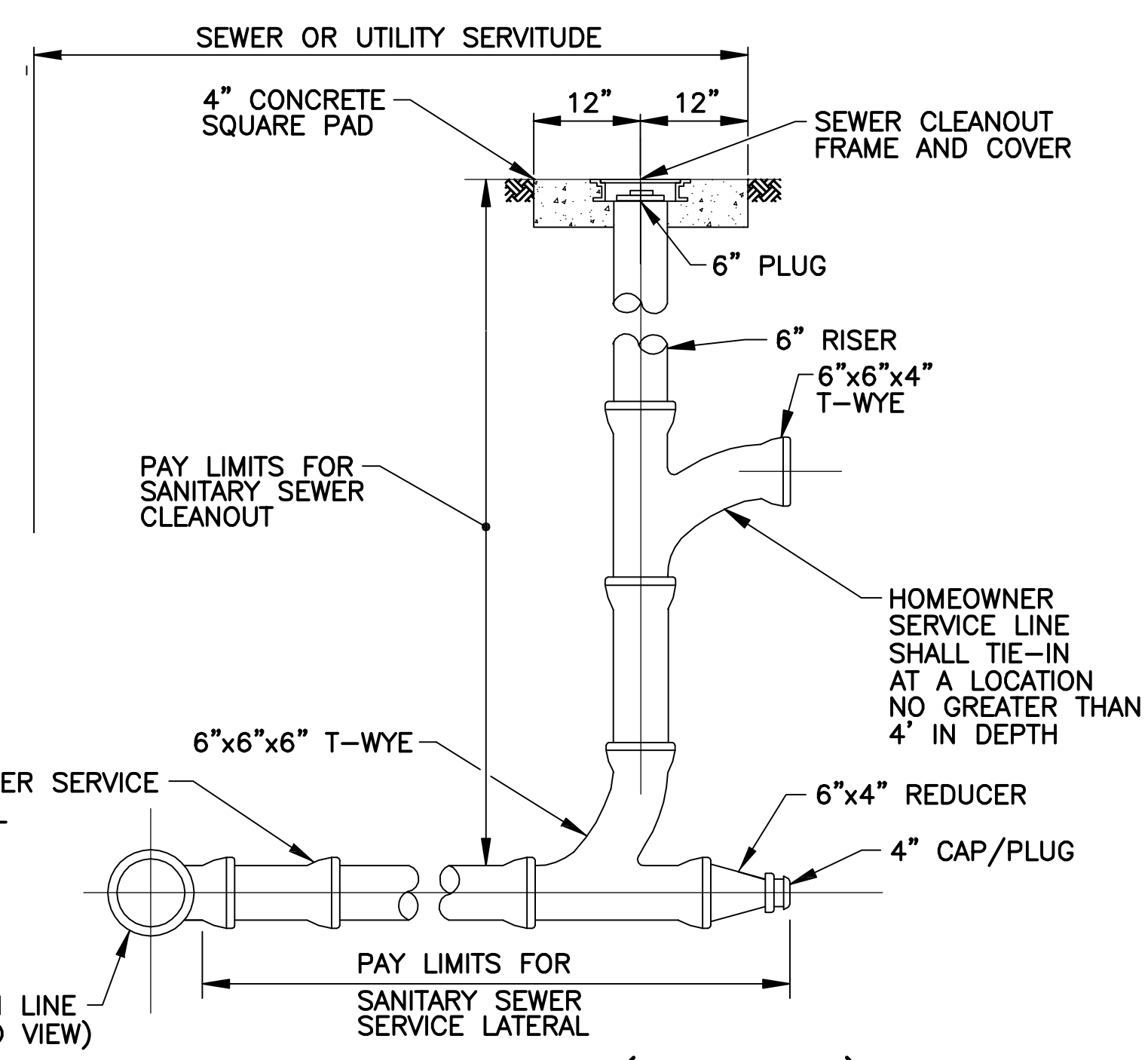
- NOTES:**
- DEPARTMENT OF HEALTH AND HOSPITALS MUST APPROVE INSTALLATION METHOD IF VERTICAL AND HORIZONTAL SEPARATIONS BETWEEN SEWER AND WATER LINES CANNOT BE MET.
  - SEPARATION REQUIREMENTS SHOWN HERE DO NOT APPLY TO SERVICE CONNECTIONS - REFER TO PLUMBING CODE FOR APPLICABLE REQUIREMENTS.
  - SEWER CLEANOUT FRAME AND COVER SHALL MEET THE LATEST EDITION OF AASHTO M306.
  - IN NEW SUBDIVISIONS OR IN NEW SEWER SERVICE AREAS WHERE NEW SERVICE LATERAL CONNECTIONS ARE REQUIRED, THE SEWER SERVICE LATERAL TERMINATION SHALL BE STUBBED ABOVE GROUND AT THE BACK EDGE OF ALL SERVITUDES. PRIOR TO FINAL PLUMBING INSPECTION AND ACCEPTANCE, THE PLUMBING CONTRACTOR FOR EACH LOT SHALL INSTALL THE CLEANOUT AS SHOWN.
  - DOUBLE WYES ARE ONLY ALLOWED ON LOTS 50' WIDE OR LESS AND SHALL ONLY BE ON THOSE SERVICES CROSSING THE STREET. SERVICES NOT CROSSING THE STREET AND ON LOTS GREATER THAN 50' WIDE SHALL HAVE SINGLE WYES TO THE CENTER OF THE LOTS AS SHOWN.



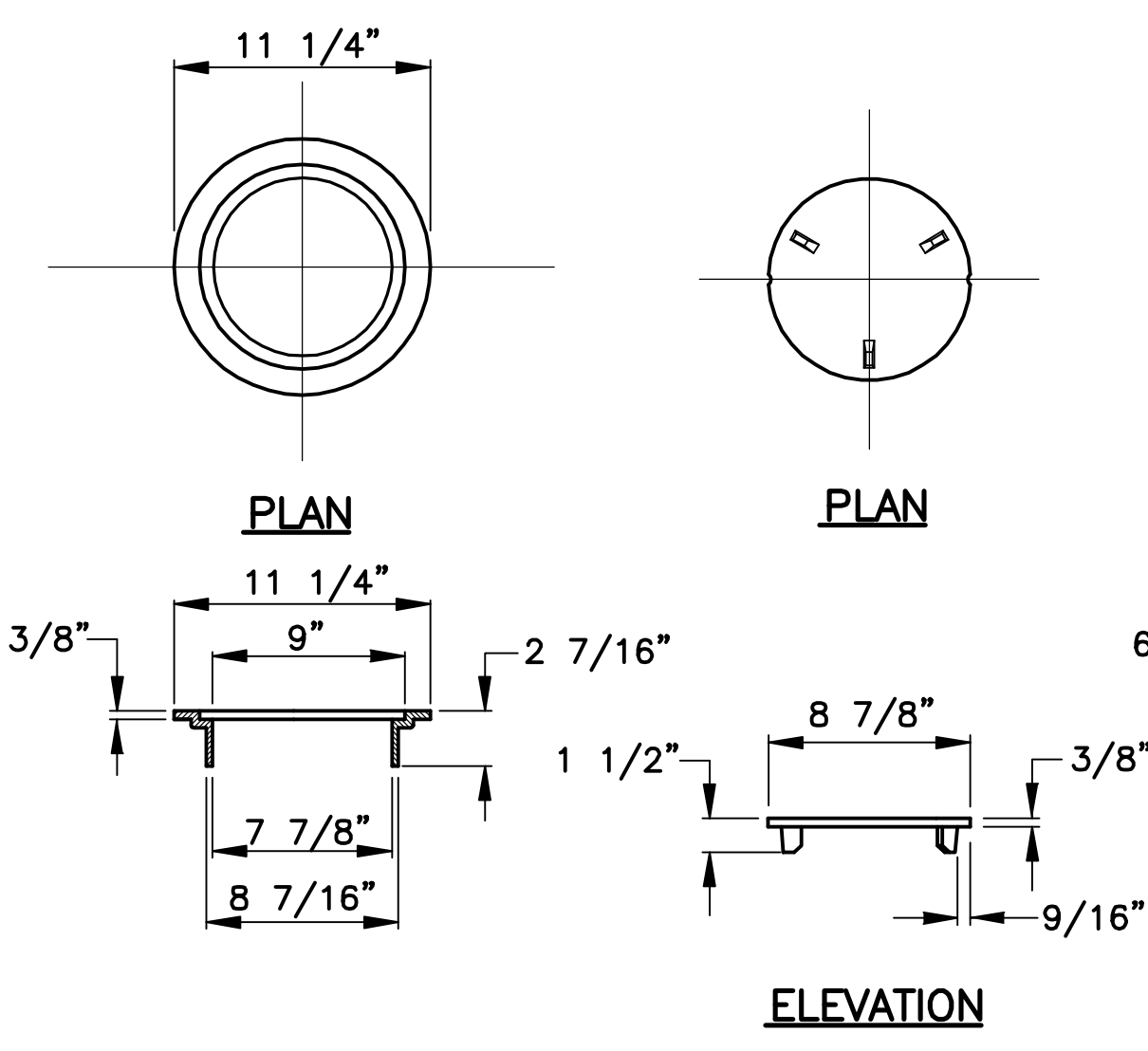
**SERVICE CONNECTION AND CLEANOUT PLAN**  
SCALE: 1"=1'-0"



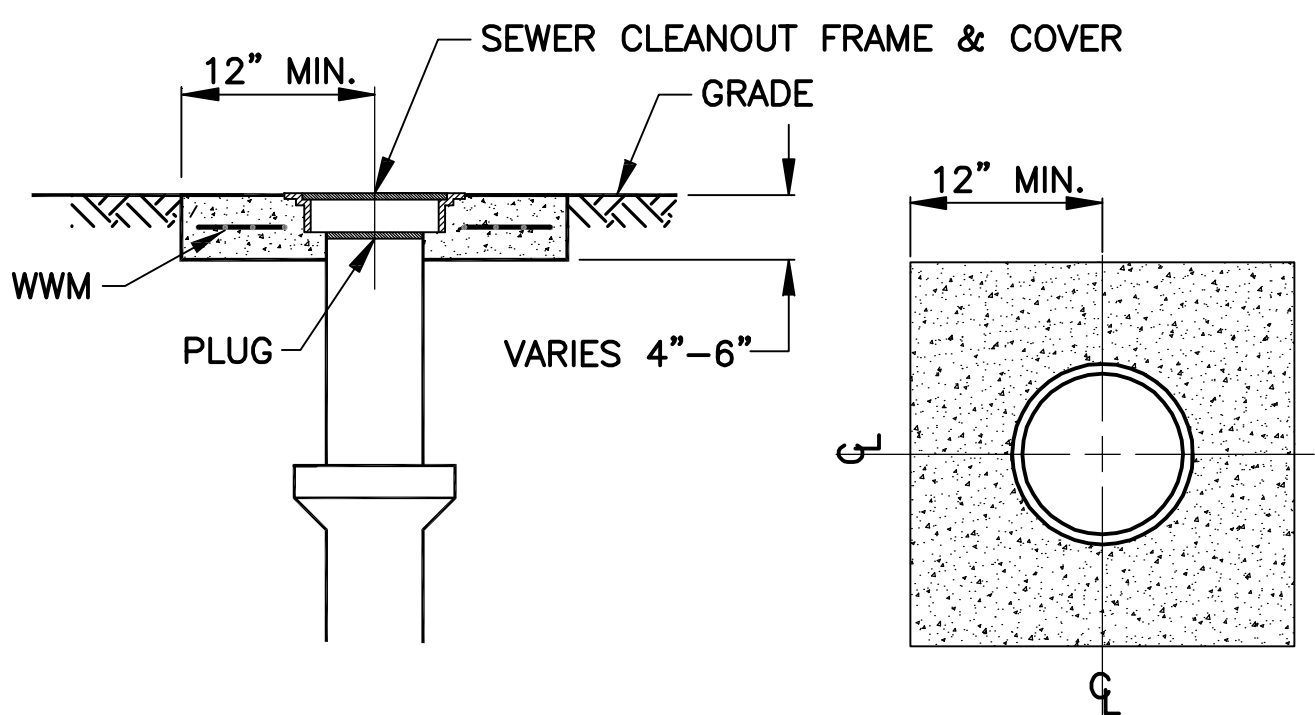
**TYPICAL LOT SERVICE DETAIL**  
SCALE: 3/16"=1'-0"



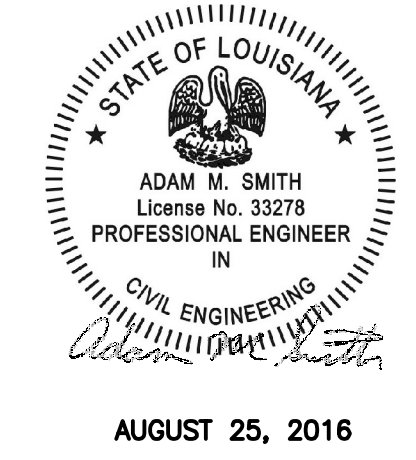
**SANITARY SEWER CLEANOUT (TO GRADE)**  
SCALE: 3/4"=1'-0"



**SEWER CLEANOUT FRAME AND COVER**  
EJIW V-8503 OR APPROVED EQUAL  
SCALE: 1 1/2"=1'-0"



**24"X24" CONCRETE PAD**  
(PRECAST CONCRETE PAD ACCEPTABLE)  
SCALE: 1"=1'-0"



STANDARD PLAN NO. 802-01	DATED AUGUST 1, 2011	SHEET NO. 1 OF 2
<b>SANITARY SEWER PIPE AND CLEANOUT DETAILS</b>		
ENGINEERING DIVISION DEPARTMENT OF PUBLIC WORKS CITY OF BATON ROUGE & PARISH OF EAST BATON ROUGE		
DESIGNED A. SCHULZE	DRAWN G. VANNICE	CHECKED N. COBB
DATE	BY	APPROVED A. SMITH

5/16	REVISED LATERAL STACK DIMENSION & ADDED	A.M.S.
	PAY LIMITS	
	DESCRIPTION	
	REVISIONS	