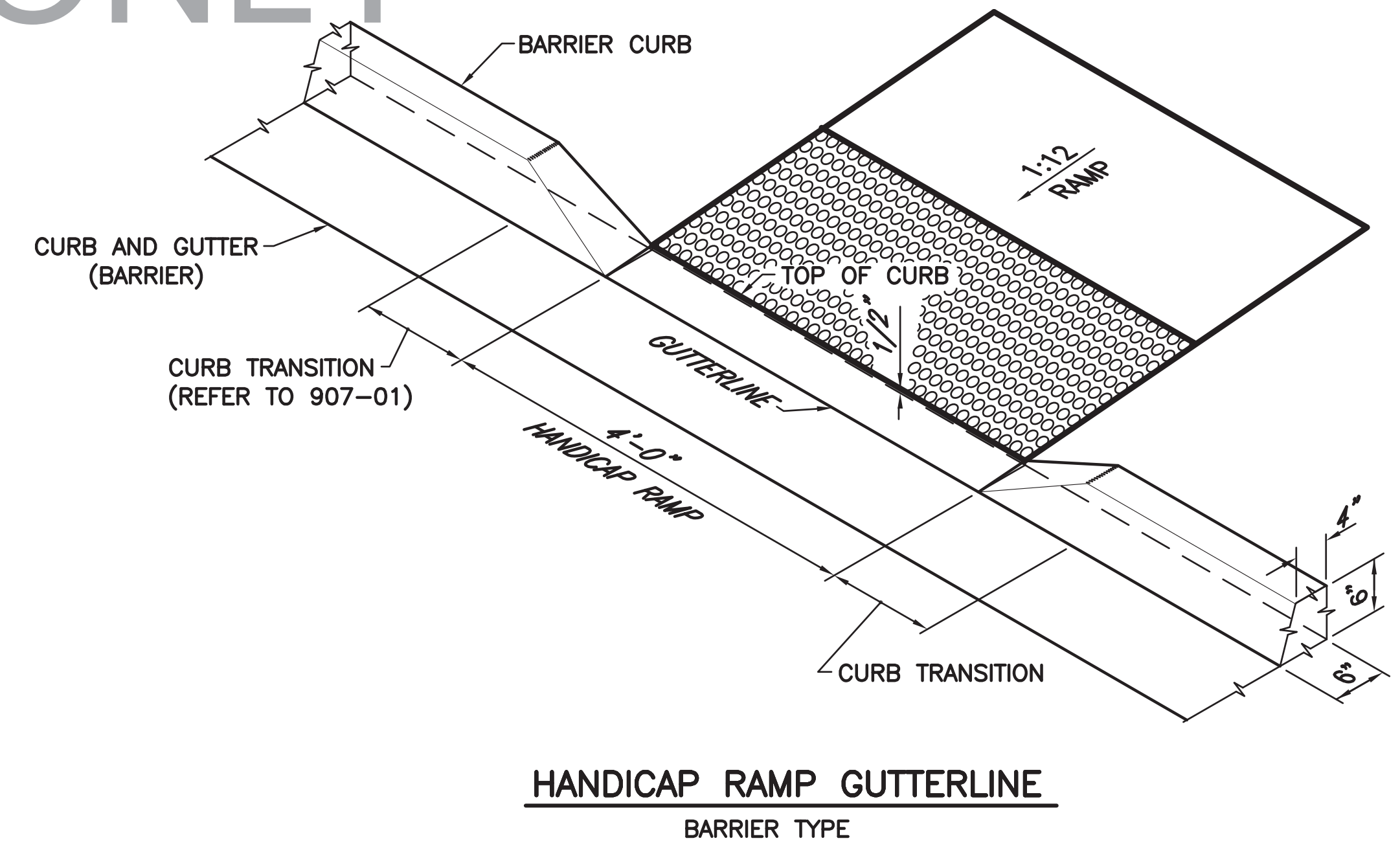
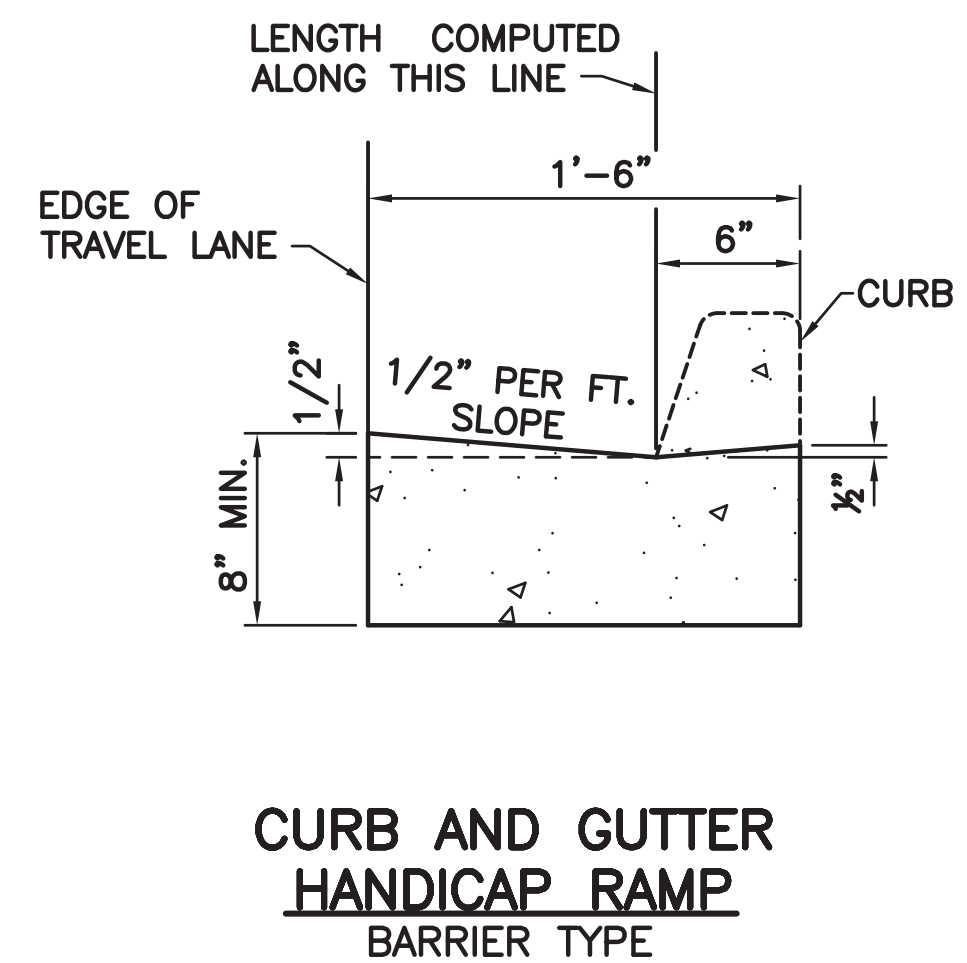
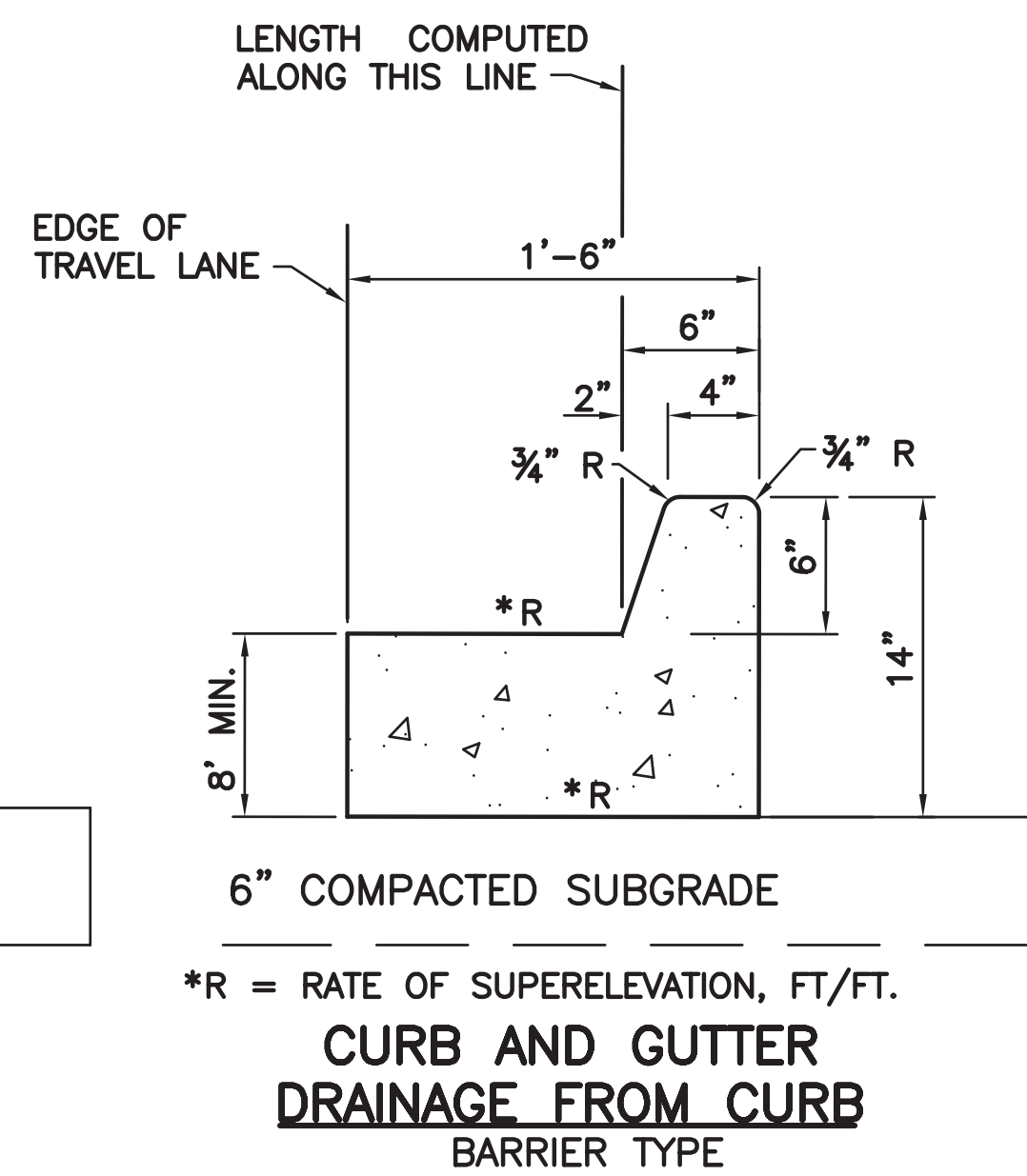
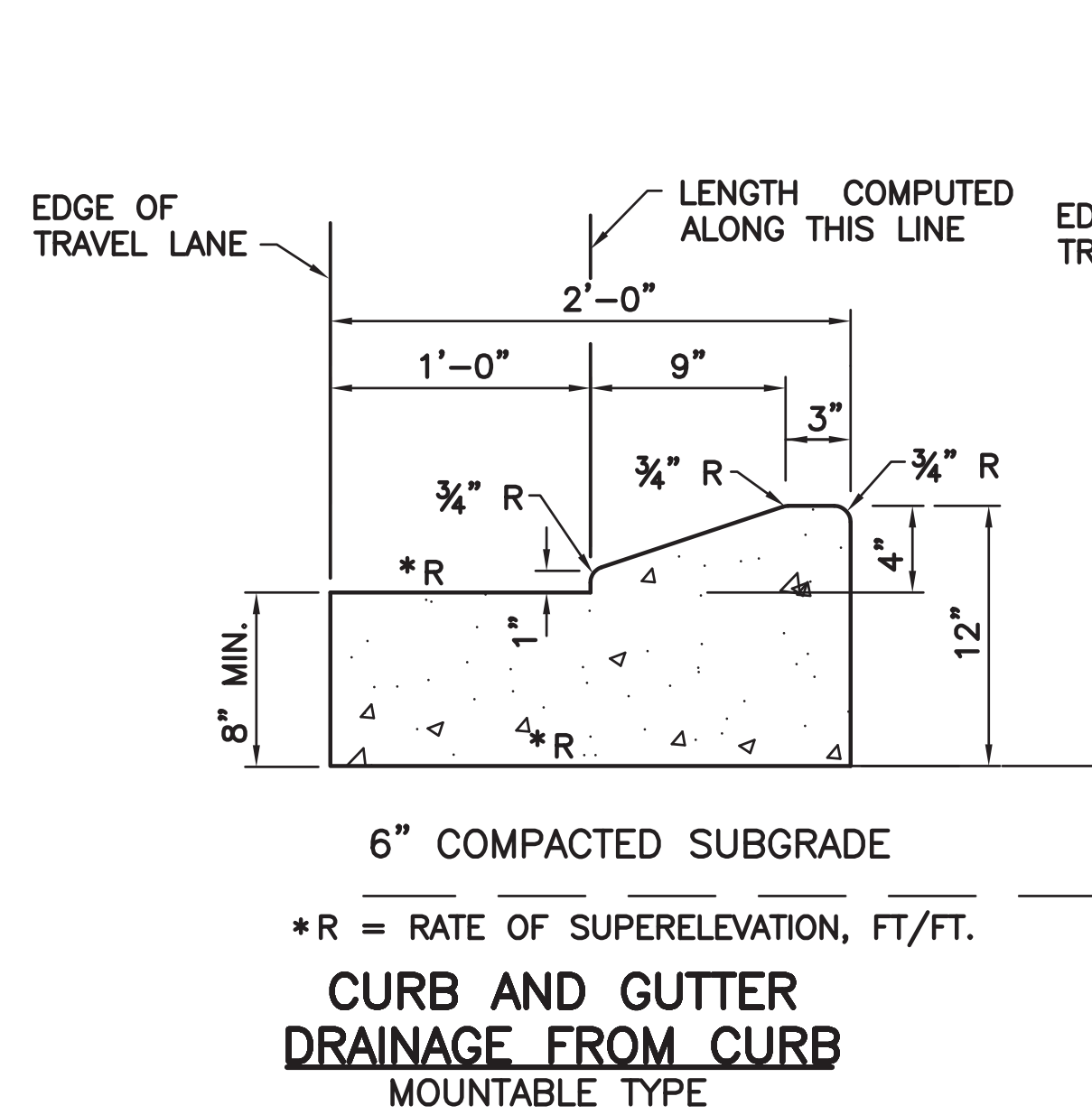
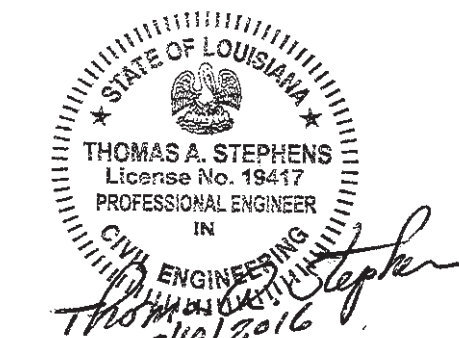


FOR INFORMATION ONLY



SUPERELEVATED CURB SECTIONS

CURB AND GUTTER DETAILS
N.T.S.



STANDARD PLAN NO. 907-02	DATED AUGUST 8, 2008	SHEET NO. 1 OF 1
MONOLITHIC CURB AND GUTTER DETAILS		
ENGINEERING DIVISION DEPARTMENT OF PUBLIC WORKS CITY OF BATON ROUGE & PARISH OF EAST BATON ROUGE		
DESIGNED GLP	DRAWN GLP	CHECKED GLP
DATE 2/10/16	DESCRIPTION Revised Section Thickness, added Sub-grade	APPROVED T. STEPHENS

DATE	DESCRIPTION	BY
2/10/16	Revised Section Thickness, added Sub-grade	TAS

ENGINEERING AUTODESK LAND DESKTOP STIDAY FORM G.V.