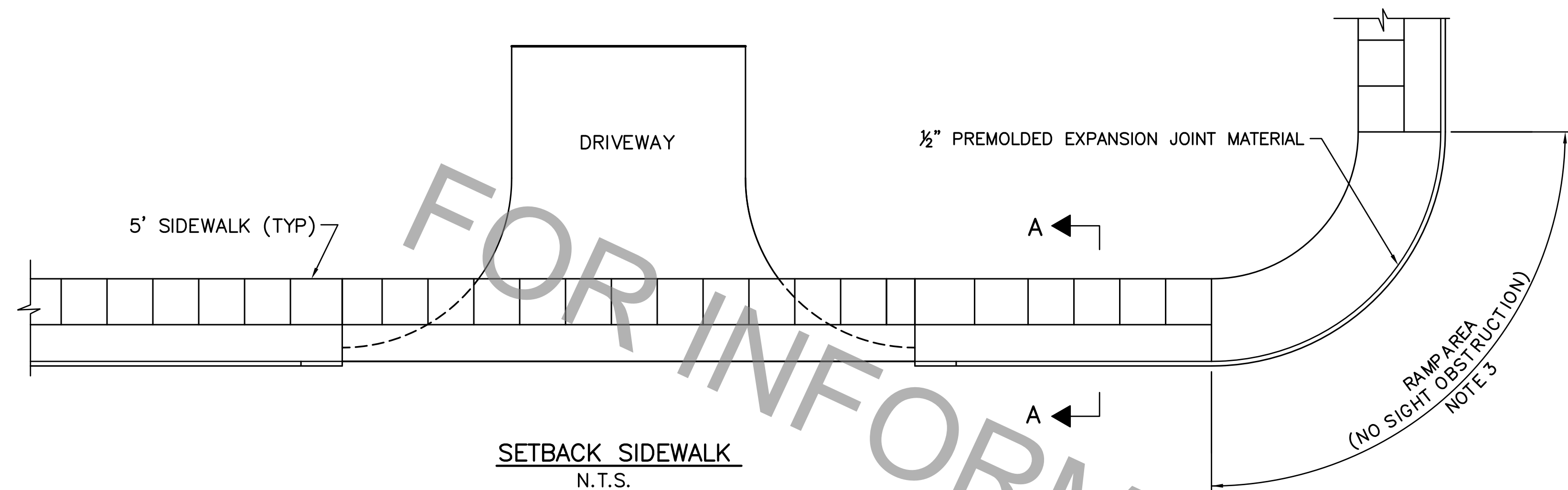
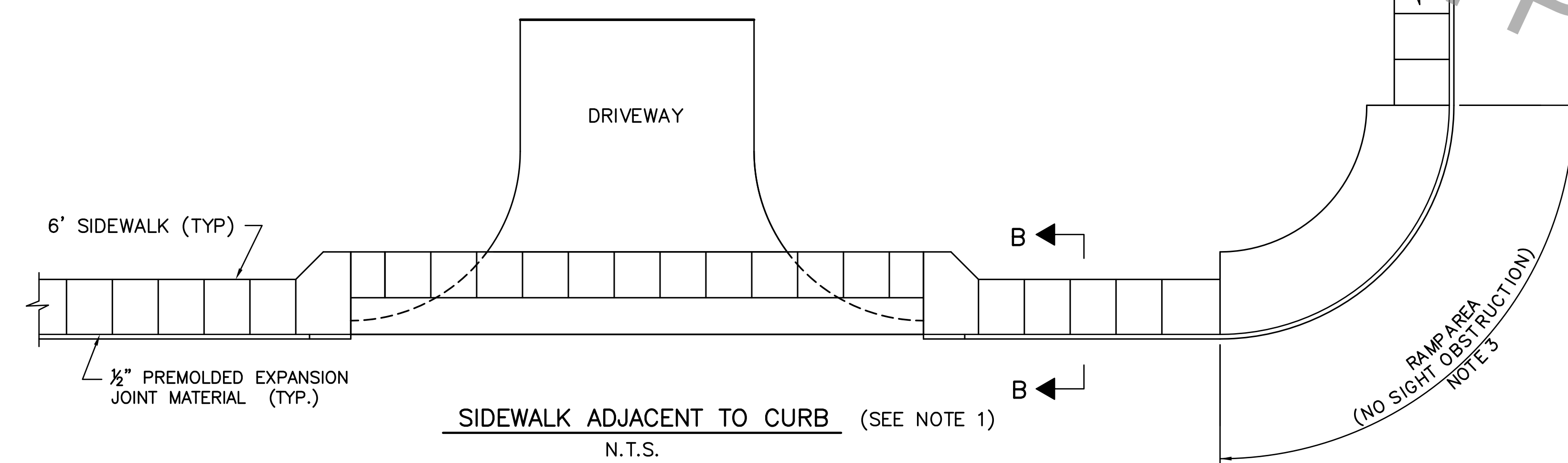


PROJECT NO.	SHEET

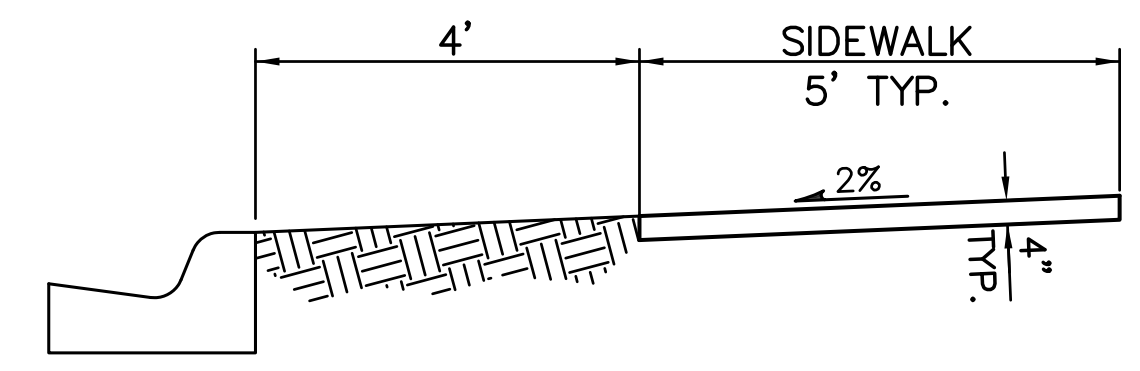


SETBACK SIDEWALK
N.T.S.

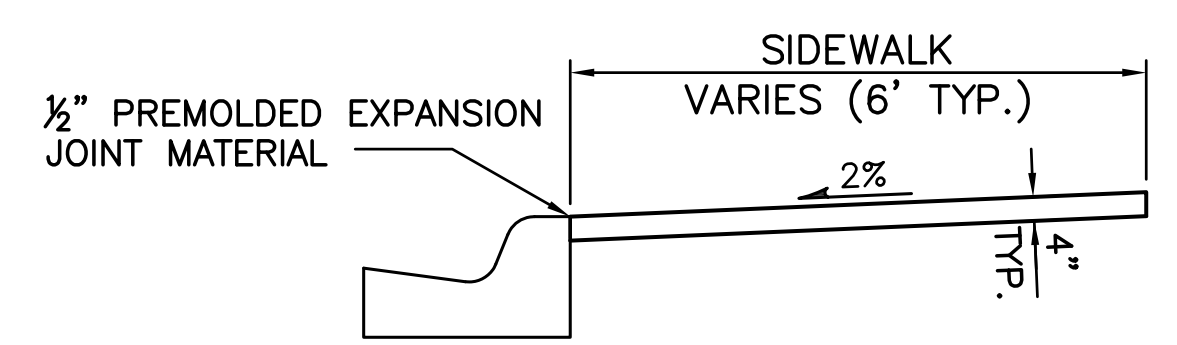


SIDEWALK ADJACENT TO CURB (SEE NOTE 1)
N.T.S.

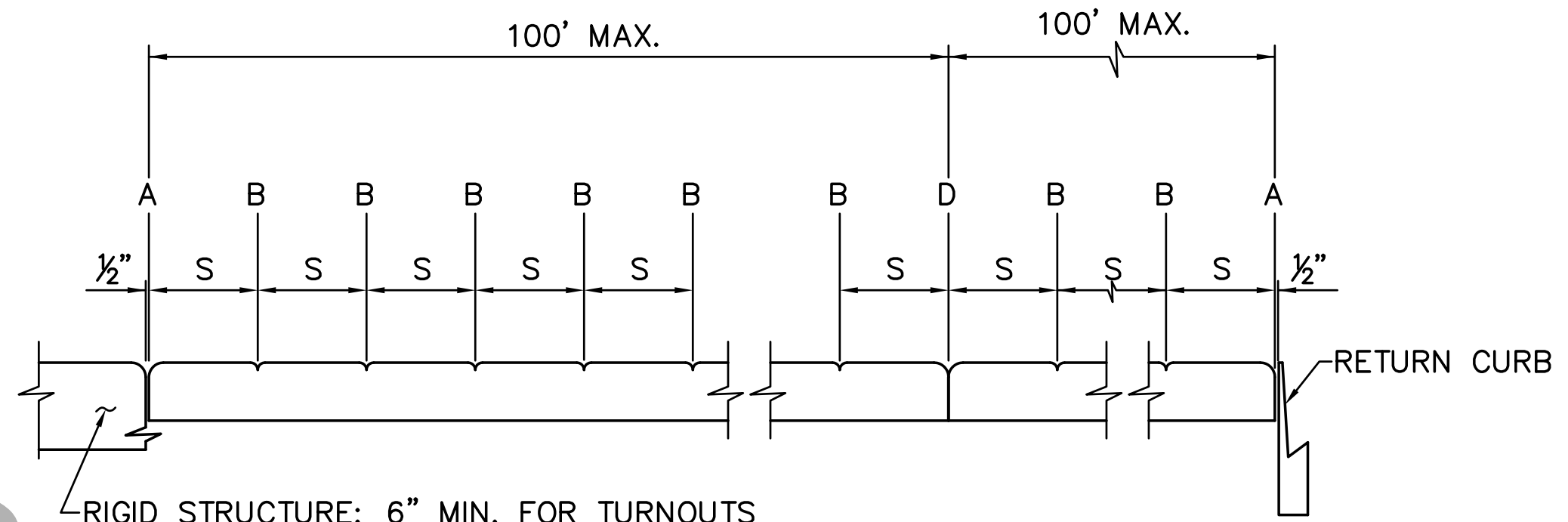
DRIVEWAYS



SIDEWALK TYPICAL SECTION A-A
N.T.S.



SIDEWALK TYPICAL SECTION B-B



OPEN JOINTS
LONGITUDINAL SECTION
SIDEWALK JOINTS

JOINT LEGEND

- A - 1/2" EXPANSION JOINTS (PREFORMED JOINT FILLER) AT JUNCTIONS WITH CURBS, DRIVES, OTHER WALKS, AND AS DIRECTED BY THE PROJECT ENGINEER.
- B - 1/2" DUMMY JOINTS, TOOLED
- D - 1/2" EXPANSION JOINT MATERIAL OR CONSTRUCTION JOINT (REDWOOD) NOT TO EXCEED 100-FOOT INTERVALS AND AS DIRECTED BY THE PROJECT ENGINEER.
- S - TYPICAL JOINT SPACING EQUALS WIDTH OF SIDEWALK.

NOTES:

1. REFER TO 907-03-COMMERCIAL DRIVEWAYS.
2. REFER TO 907-04-RESIDENTIAL DRIVEWAYS.
3. THE TYPICAL HANDICAP RAMP INSTALLATION WILL BE DUAL FLARED RAMP (LAYOUT 1 - SHEET 2).
4. REFER TO SHT. 907-02, CURB AND GUTTER DETAILS.



DATE	DESCRIPTION	BY
	REVISIONS	

STANDARD PLAN NO. 907-01	DATED AUGUST 8, 2008	SHEET NO. 1 OF 6
-----------------------------	-------------------------	---------------------

SIDEWALK AND HANDICAP RAMPS
(TYPICAL INSTALLATIONS)

ENGINEERING DIVISION DEPARTMENT OF PUBLIC WORKS CITY OF BATON ROUGE & PARISH OF EAST BATON ROUGE			
DESIGNED	DRAWN	CHECKED	APPROVED
GLP	GLP	GLP	B. HARMON