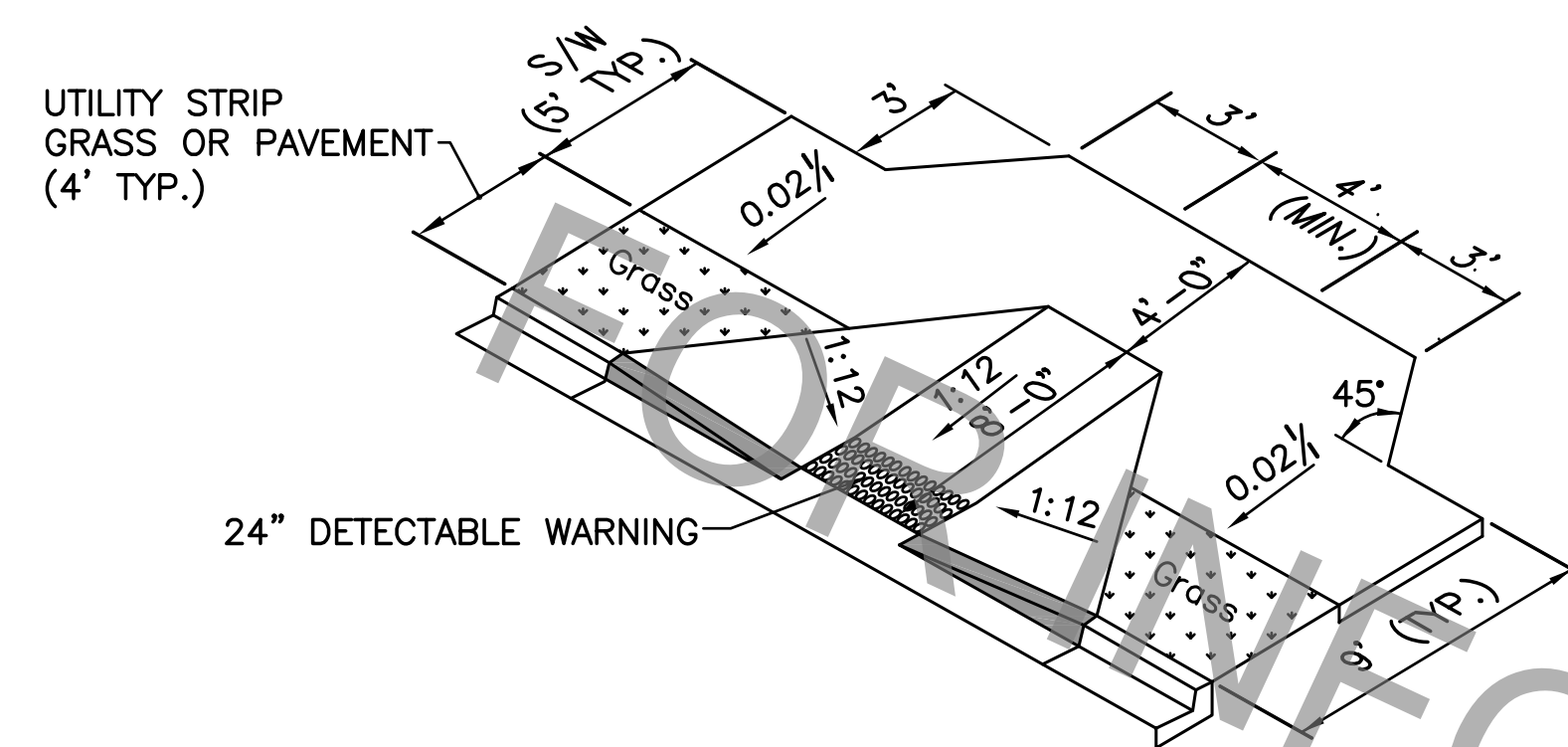
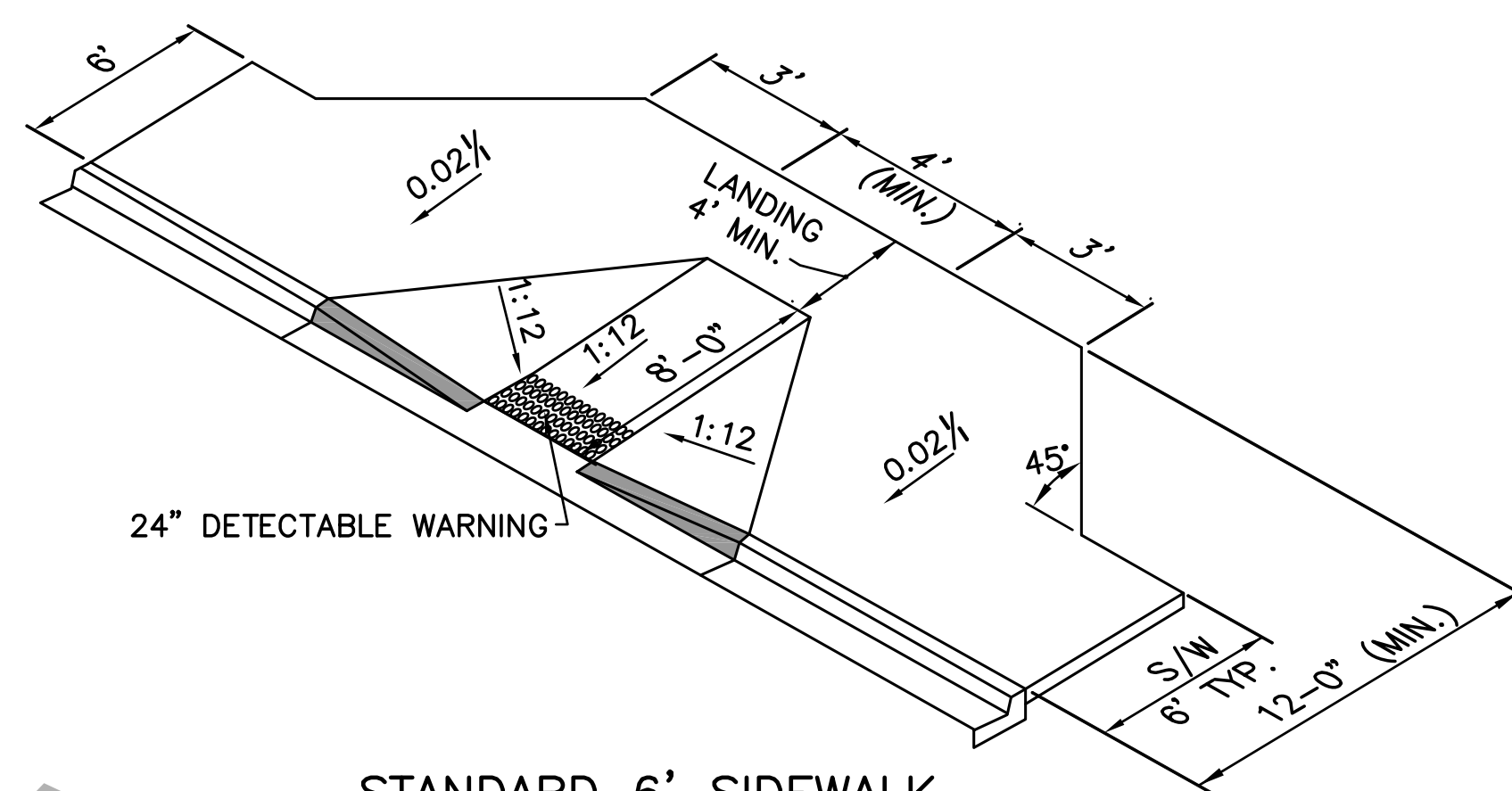


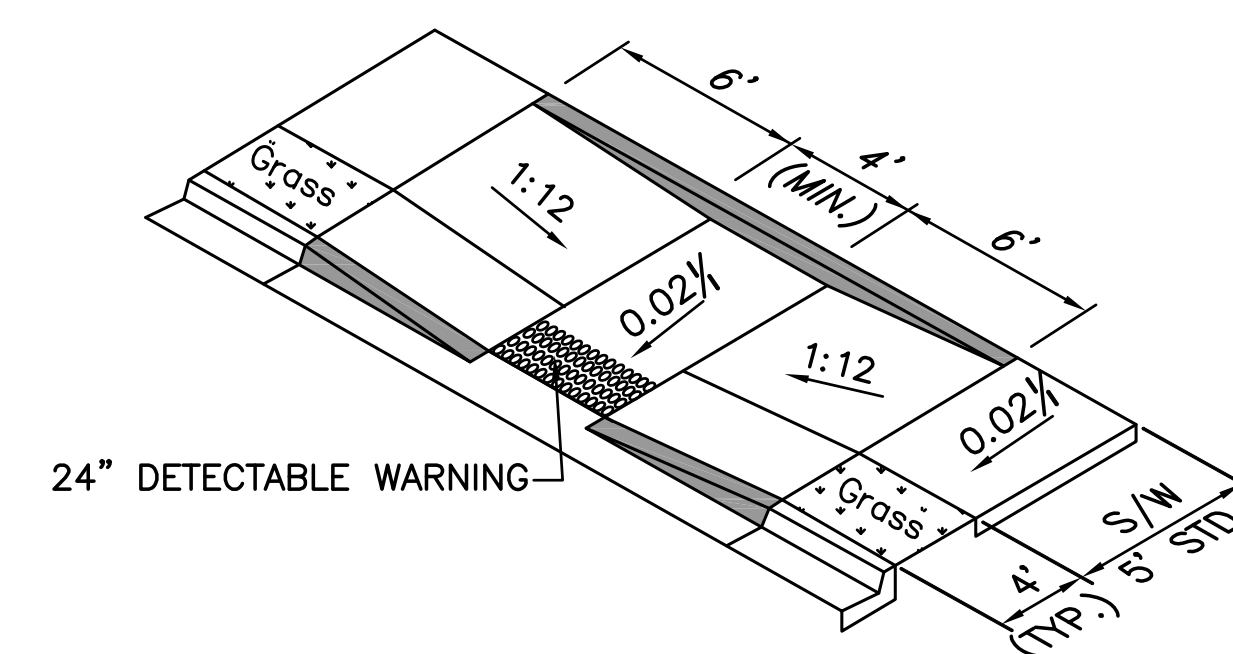
PROJECT NO.	SHEET



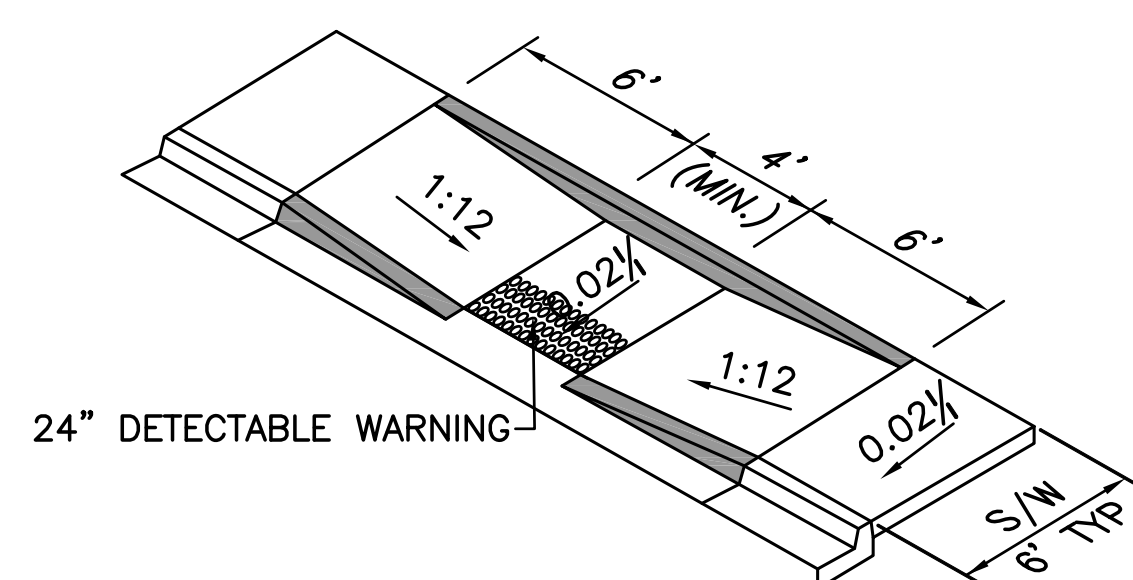
STANDARD 5' SIDEWALK
WITH FLARED SLOPES
TYPE ①
NTS



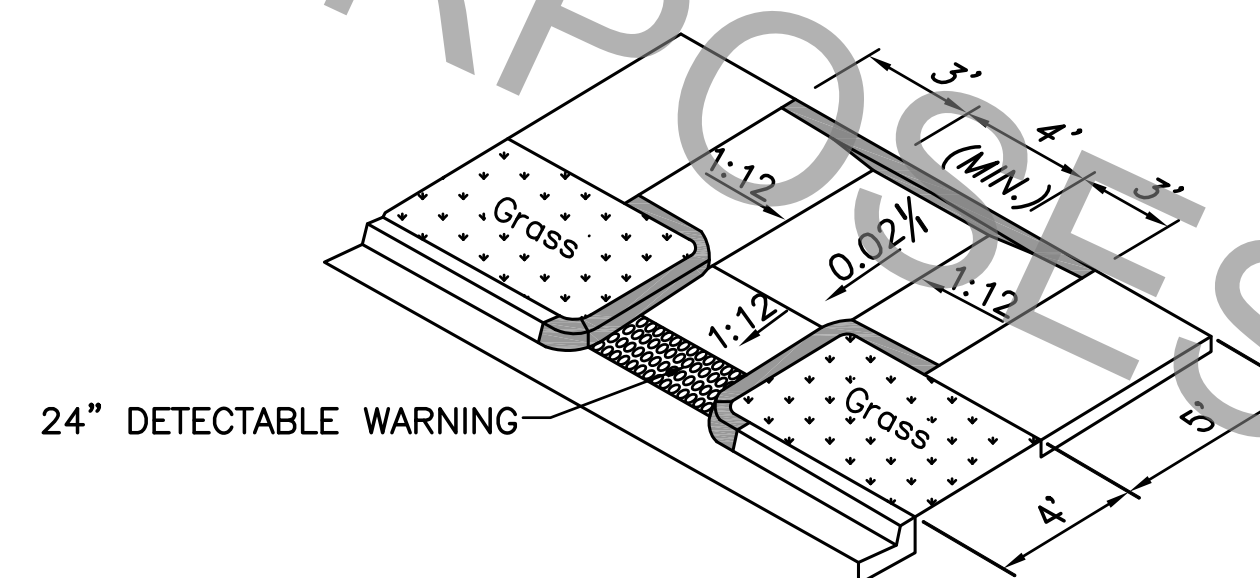
STANDARD 6' SIDEWALK
WITH FLARED RAMP
TYPE ②
NTS



STANDARD 5' SIDEWALK
WITH PAVED RAMP
TYPE ③
NTS



STANDARD 6' SIDEWALK
WITH PAVED RAMP
TYPE ④
NTS



STANDARD 5' SIDEWALK
WITH CURBED RAMP
TYPE ⑤
(REFER TO NOTES, TYP.)
NTS

■ AREAS OF CURB MODIFICATION

NOTES:

1. LOCATION OF ALL TRAFFIC STRIPING, CROSS BARS, STOP BARS, AND MARKERS SHALL BE BASED ON SITE SPECIFIC DESIGN APPROVED BY THE CHIEF TRAFFIC ENGINEER. REFER TO 905-50 SHEET 7.
2. THE LAYOUT OF HANDICAP RAMPS ARE BASED ON USE OF 6 INCH BARRIER CURB. ADJUSTMENTS TO DIMENSIONS WILL BE REQUIRED SHOULD MOUNTABLE CURB IS USED.
3. RAMP CONFIGURATIONS MUST BE APPROVED BY THE CHIEF TRAFFIC ENGINEER.



STANDARD PLAN NO. 907-01	DATED AUGUST 8, 2008	SHEET NO. 4 OF 6
-----------------------------	-------------------------	---------------------

**SIDEWALK AND HANDICAP RAMPS
(RAMP TYPES)**

ENGINEERING DIVISION DEPARTMENT OF PUBLIC WORKS CITY OF BATON ROUGE & PARISH OF EAST BATON ROUGE			
DESIGNED GLP	DRAWN GLP	CHECKED GLP	APPROVED B. HARMON

DATE	DESCRIPTION REVISIONS	BY