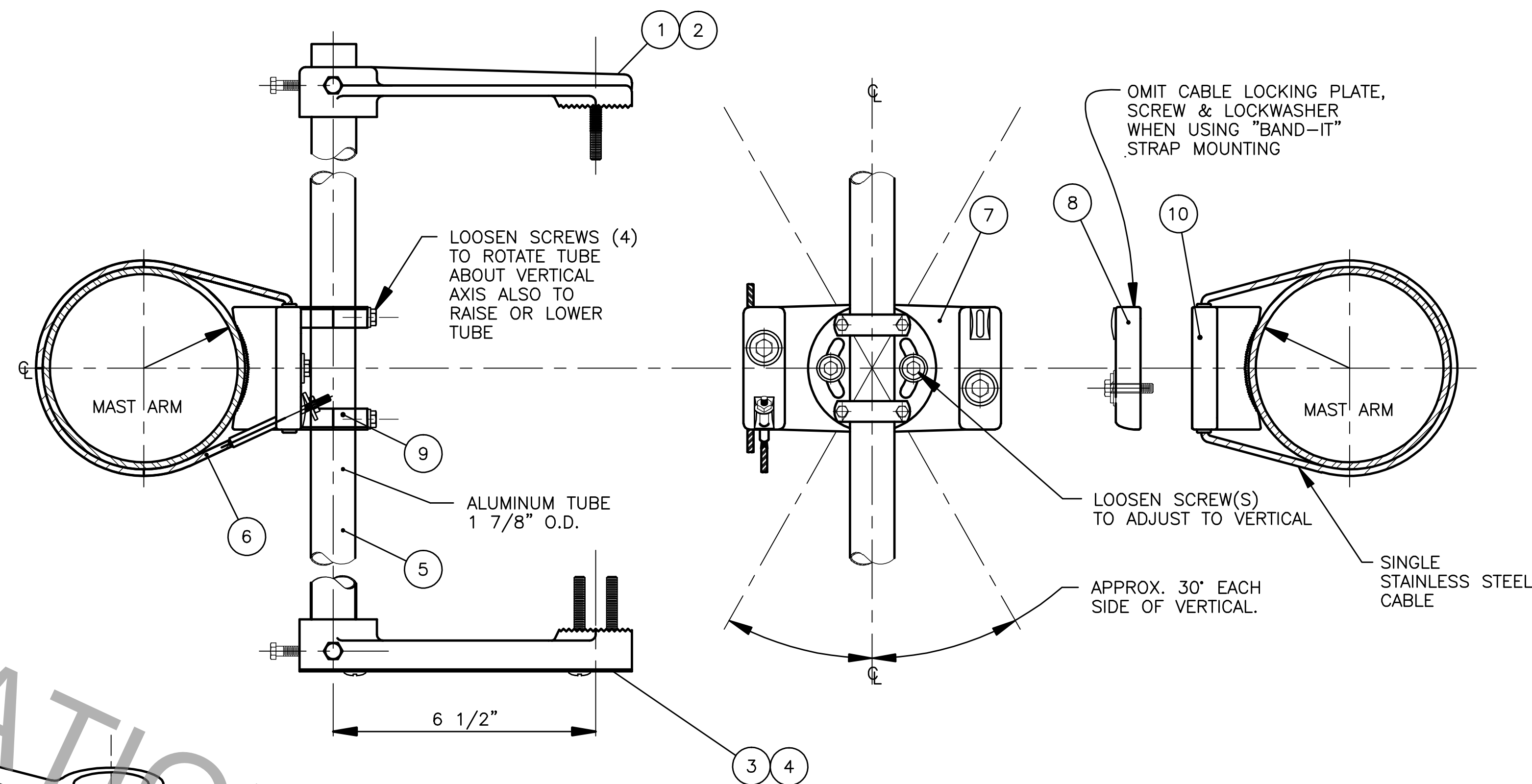
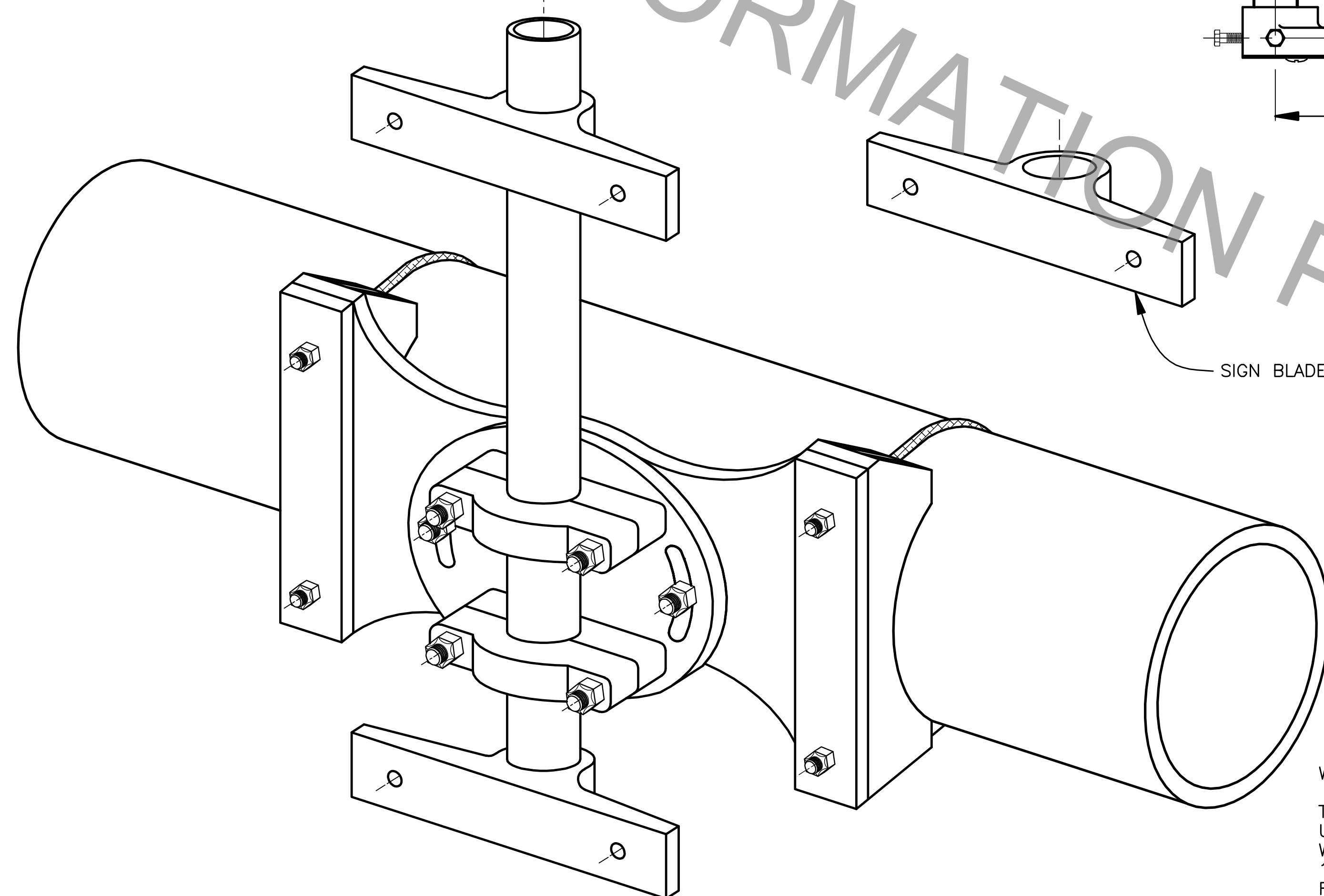


PROJECT NO.	SHEET

ITEM NO.	DESCRIPTION
1	Signal Mounting Arm Top - 6 1/2"
2	Signal Mounting Arm Top - 14" Used On 3M Signal
3	Signal Mounting Arm Bottom - 6 1/2"
4	Signal Mounting Arm Bottom - 14" Used On 3M Signal
5	Aluminum Tube - 60" Long
6	Cable Assembly
7	CM-42 Main Mtg. Assembly Less Cables & Tube
8	Cable Locking Plate
9	Tube Lock Down Bar
10	SM-42 Main Mtg. Assembly Less Tube
11	Mast Arm Mount Assembly Complete
12	Mast Arm Assembly Complete
13	Aluminum Tube - 48" Long
14	Aluminum Tube - 30' Long



MAST ARM
SIGNAL MOUNT
ASSEMBLY
N.T.S.



MAST ARM
SIGNAL MOUNT
ASSEMBLY
N.T.S.

SIGN BLADE 6-3/4"

WCM-SERIES

THE MAST-O-SIGN MOUNT USES THE SAME MAIN MOUNT WITH 2 SIGN BLADES AND A 1-1/2" (3.8cm) ALUMINUM TUBE FOR ALL SIZE SIGNS. THE TUBE LENGTHS CHANGE AS SIGNS GET BIGGER OR SMALLER.

PART NO. WCM 24-24" (61cm) TUBE
WCM 30-30" (76cm) TUBE
OR APPROVED EQUAL



FEBRUARY 27, 2008

STANDARD PLAN NO. 906-02	DATED FEBRUARY 26, 2008	SHEET NO. 2 OF 2
-----------------------------	----------------------------	---------------------

MAST ARM
SIGN AND SIGNAL
MOUNT DETAILS

ENGINEERING DIVISION DEPARTMENT OF PUBLIC WORKS CITY OF BATON ROUGE & PARISH OF EAST BATON ROUGE			
DESIGNED T.E.D.	DRAWN G. VANNICE	CHECKED D. ROSENQUIST	APPROVED I. PARTENHEIMER

DATE	DESCRIPTION REVISIONS	BY

906-02