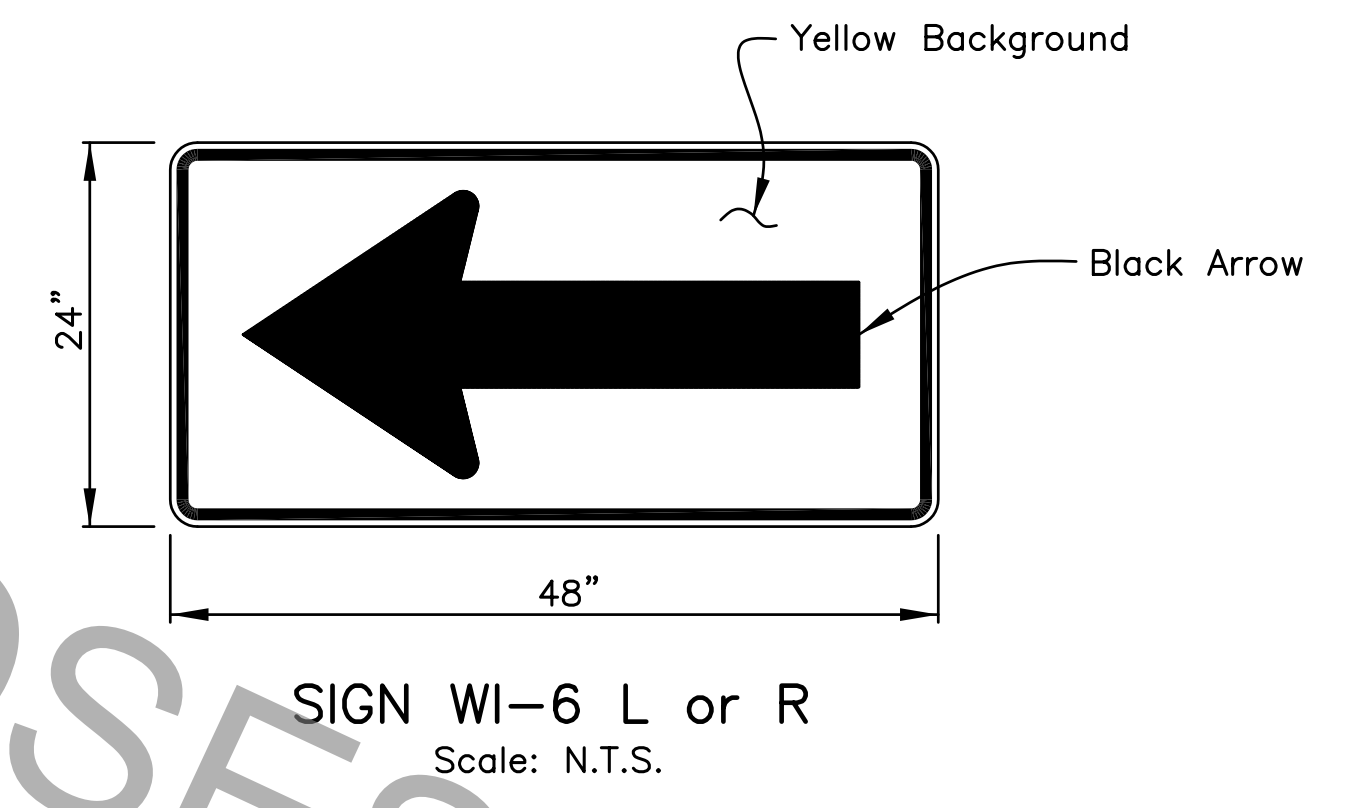
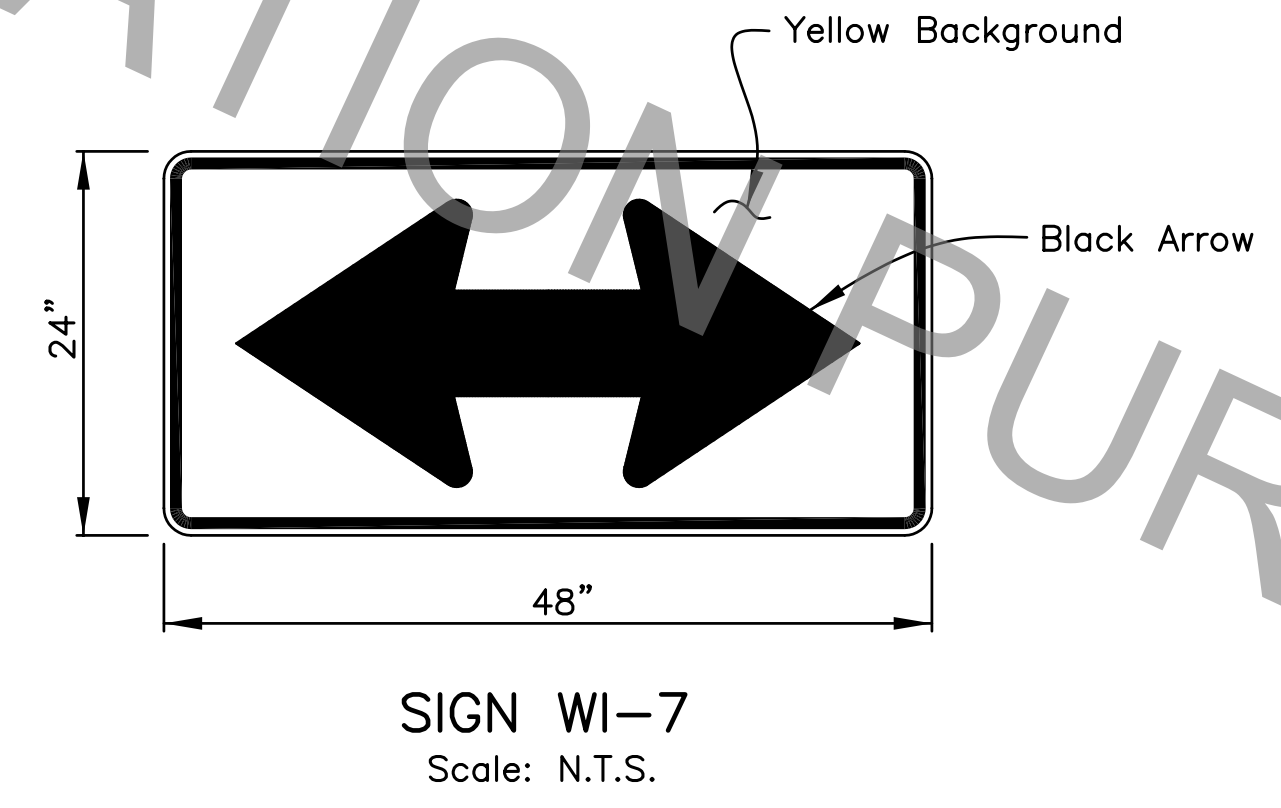
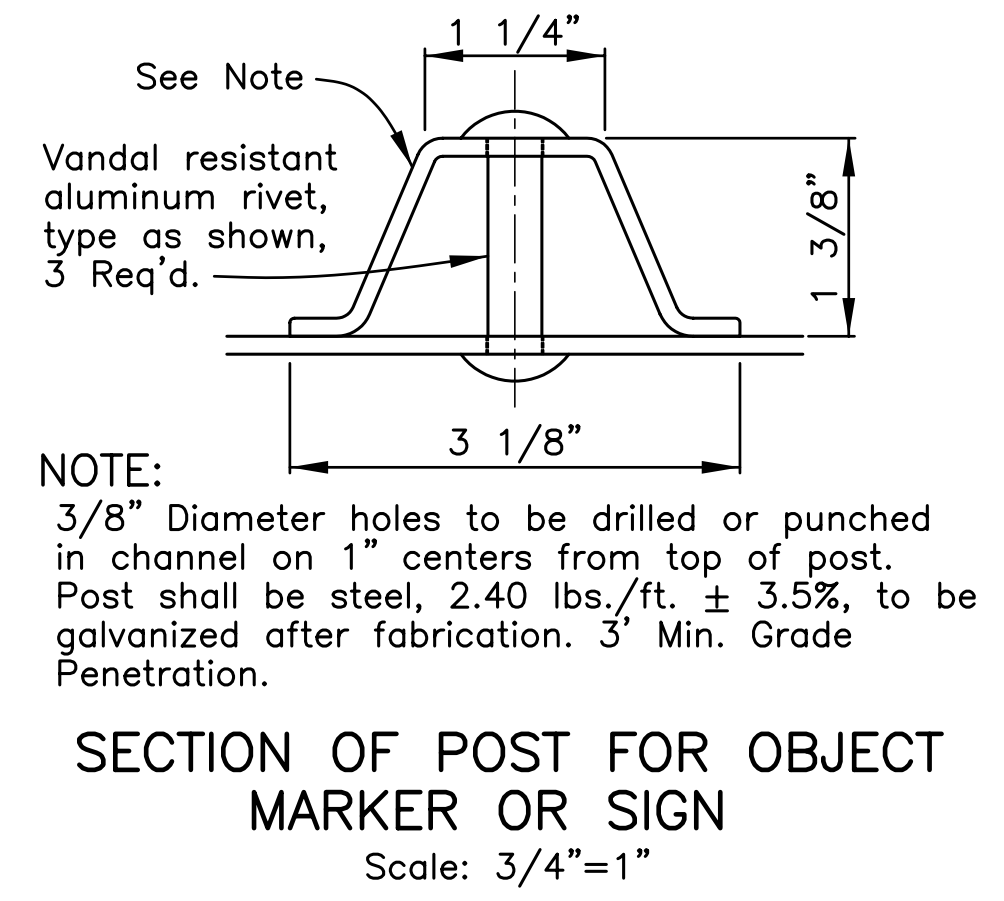
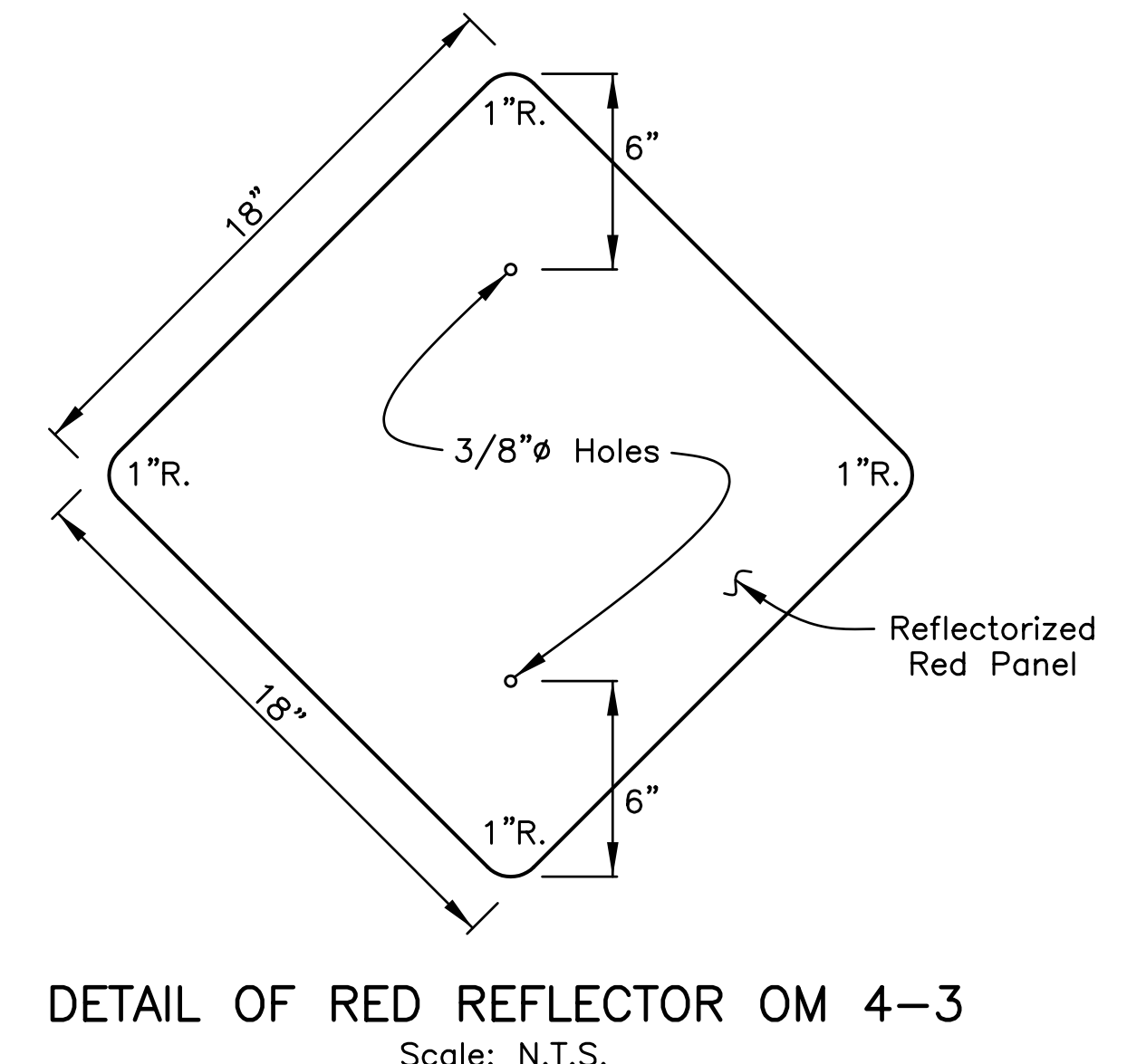
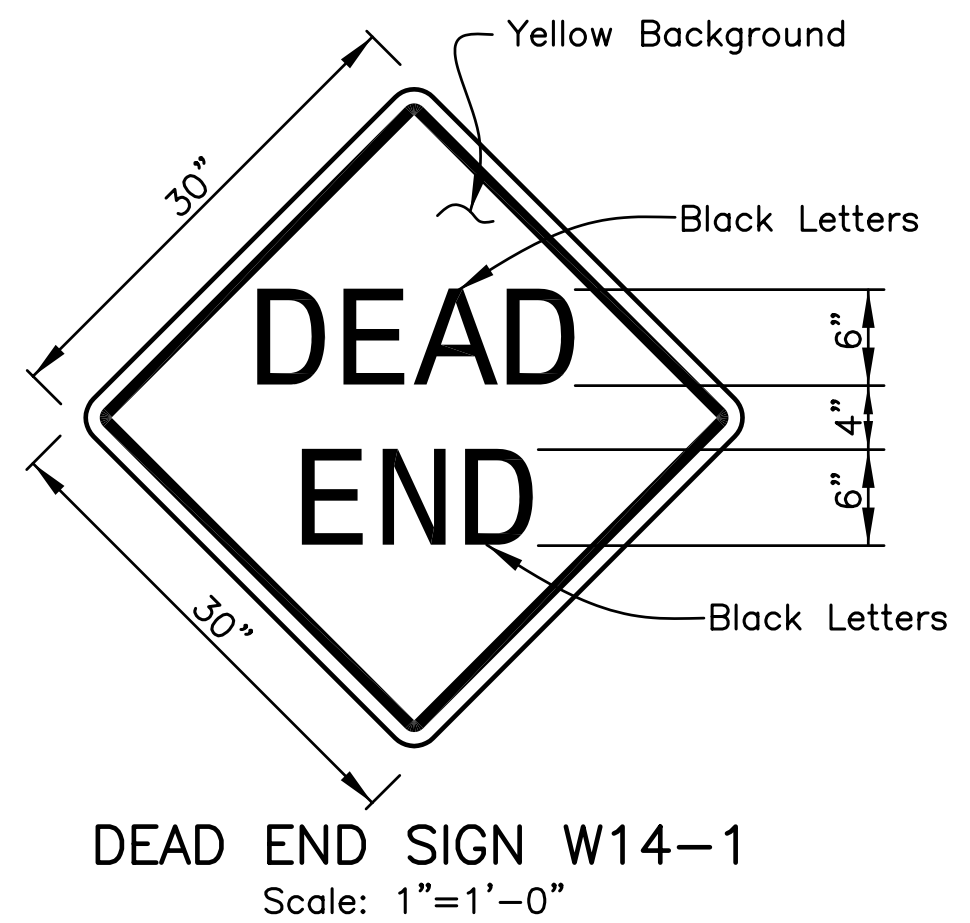
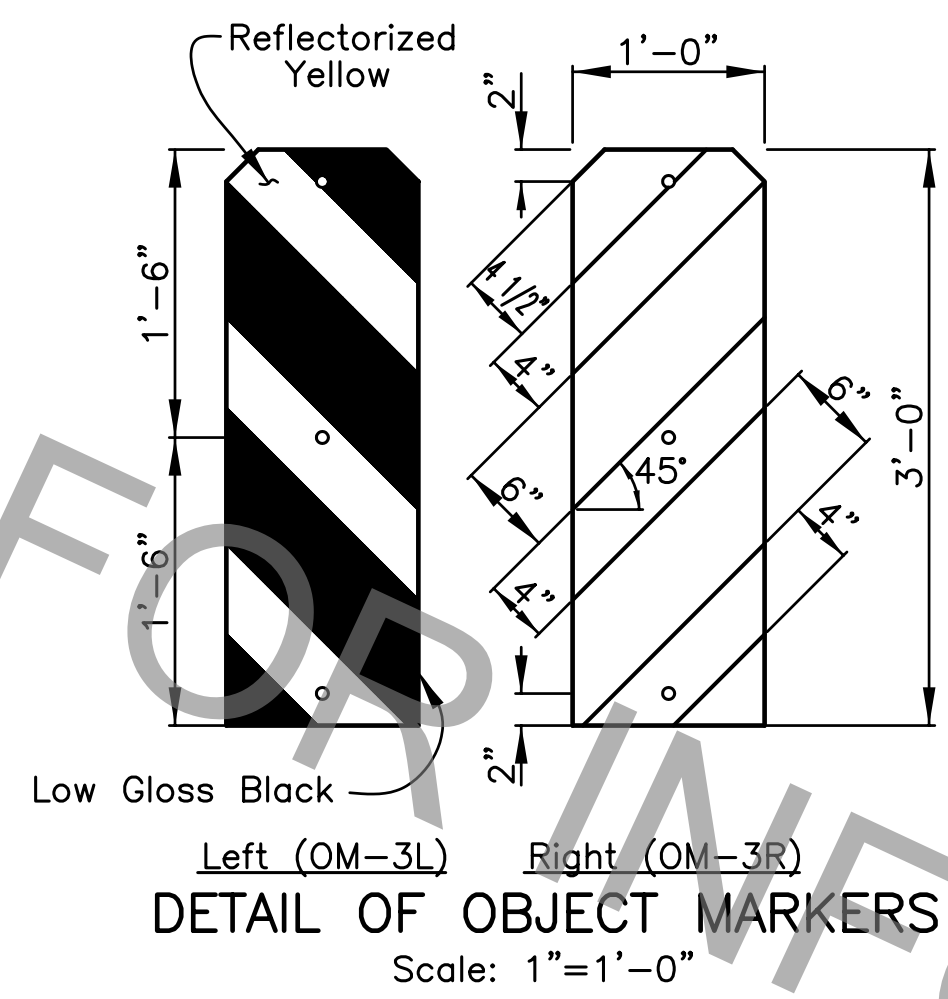


PROJECT NO.	SHEET



GENERAL NOTES:

- All sign face material shall be reflective sheeting conforming to ASTM D4956, Type III and mounted on 0.080" thick aluminum sheeting conforming to ASTM B209, Alloy 6061-T6 or 5052-H38.
- Two posts will be required for Signs WI-6 or WI-7 when used either with Type B or Type C Installations.
- Signs and Sign Supports, Guard Rail and Timber shall be new and shall meet the requirements of the Standard Specification, current at the time of bid, unless otherwise superceded by the Special Provisions.
- For details of Guard Rail Components and Installations, see Standard Plans.



STANDARD PLAN NO. 905-40	DATED JANUARY 9, 2008	SHEET NO. 5 OF 5
END OF ROAD INSTALLATIONS DETAILS OF SIGNS & SIGN SUPPORTS		
ENGINEERING DIVISION DEPARTMENT OF PUBLIC WORKS CITY OF BATON ROUGE & PARISH OF EAST BATON ROUGE		
DESIGNED Traffic Engineering	DRAWN G. VANNICE	CHECKED H. PYLANT
		APPROVED I. PARTENHEIMER

DATE	DESCRIPTION REVISIONS	BY