

PROJECT NO.	SHEET

GATES				
WIDTH OF GATE SINGLE OR ONE LEAF OR DOUBLE GATE	GATE FRAME		GATE POST	
	O.D.(IN.)	LBS./FT.	O.D.(IN.)	LBS./FT.
13' MAXIMUM	1.90	2.71	4.00	9.10
13' TO 18'	1.90	2.71	6.625	18.97
OVER 18'	1.90	2.71	8.625	24.70

The Contractor may substitute the following fencing materials in lieu of those materials specified:

Chain link fence posts, rails, braces and gate frame materials may be round pipe manufactured from steel conforming to ASTM A-569, cold rolled, electric welded and externally triple coated with a minimum of 0.9 ounce per square foot of high grade slab zinc conforming to ASTM B-6; a minimum of 15.0 micrograms of chromate conversion coating per square inch, and an electrostatically applied thermoplastic clear polyurethane acrylic coating having a minimum dry film thickness of not less than 0.3 mil. The interior surface shall also be protected by an application of zinc rich based organic coating (having a minimum zinc powder loading of not less than 87.0 percent by weight) to be applied after fabrication.

Posts, rails, braces and gate frame materials shall conform to the following schedule:

USE	PIPE SIZE	MINIMUM WEIGHT
End, Corner, Slope and Pull Posts:	3.50 Inches	5.71 lbs. per L.F.
Line Posts	3.00 Inches	4.64 lbs. per L.F.
Gate Posts:	3.50 Inches	5.71 lbs. per L.F.
Top Rails and Braces:	1.625 Inches	1.84 lbs. per L.F.
Frame and Stiffner for gates:	2.00 Inches	2.28 lbs. per L.F.

**GENERAL NOTES:**

The fence installation and details shown are typical and may vary in accordance with different manufacturers, provided that they meet the Standard Specifications.

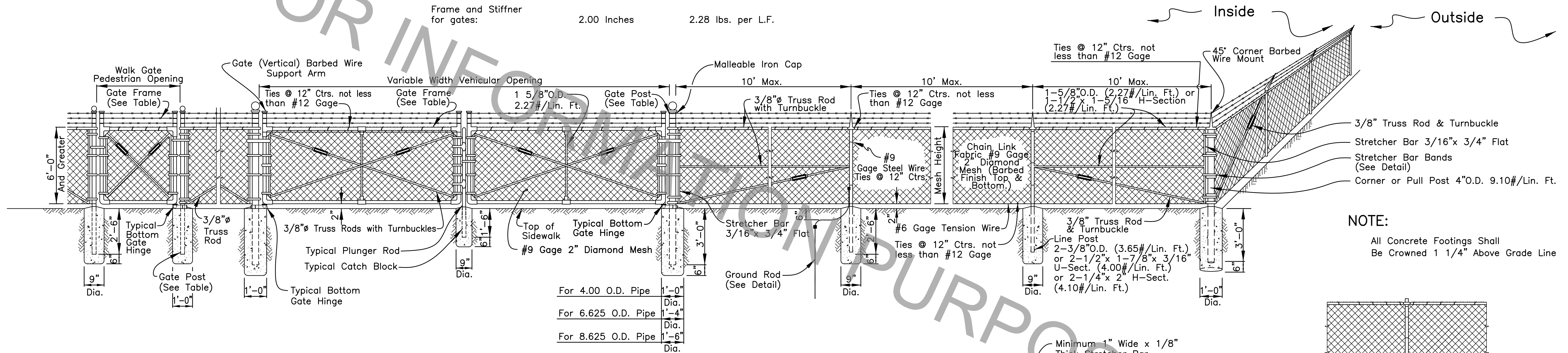
Typical installation may vary as shown on the plans or as directed by the Engineer. Location of gates are to be shown on plans.

Any Galvanized Fence Item Which has its Surface Abraded or Damaged Shall Be Painted With Rust-Oleum "Galvinox," one of the Methods Specified in Section 161, or an Approved Equal.

Electrical grounding devices are to be installed in accordance with Subsection 810.037 of the Standard Specifications.

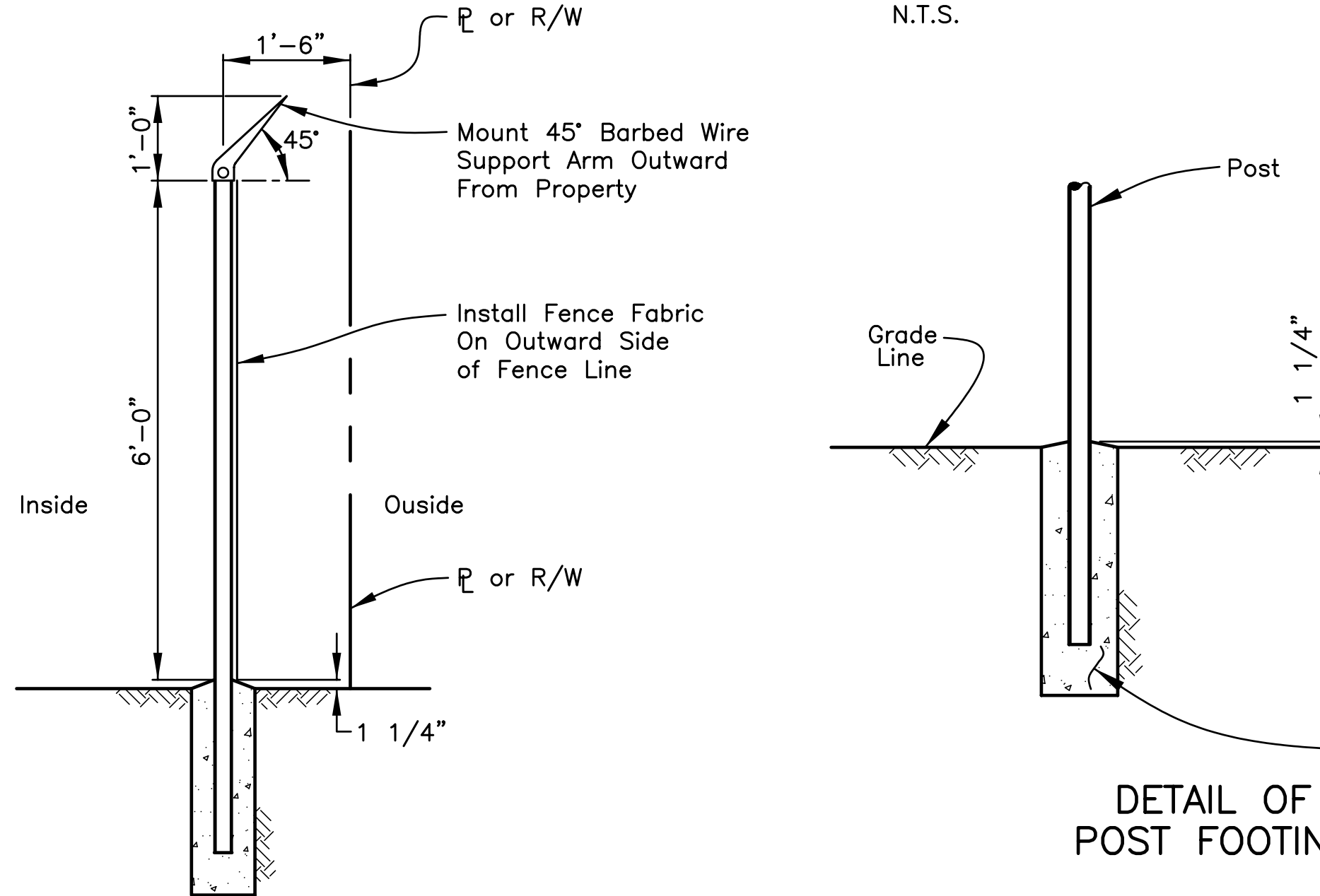
All bolts to be upset to discourage vandalism.

Fencing and gates shall be paid for under the appropriate individual pay items.



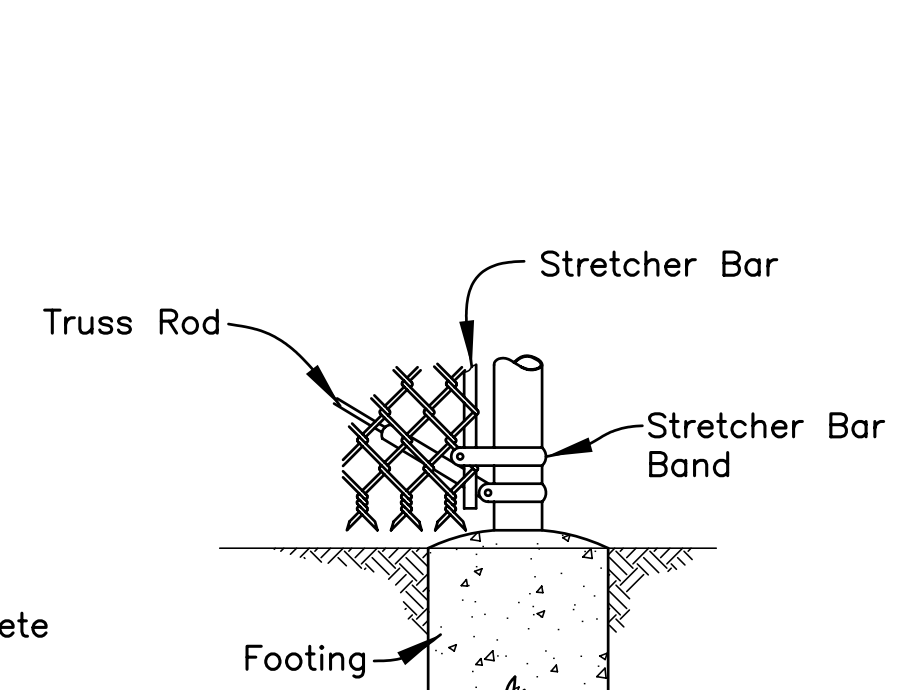
**NOTE:**  
All Concrete Footings Shall Be Crowned 1 1/4" Above Grade Line

**CHAIN LINK SECURITY FENCE (6' HIGH AND GREATER)**



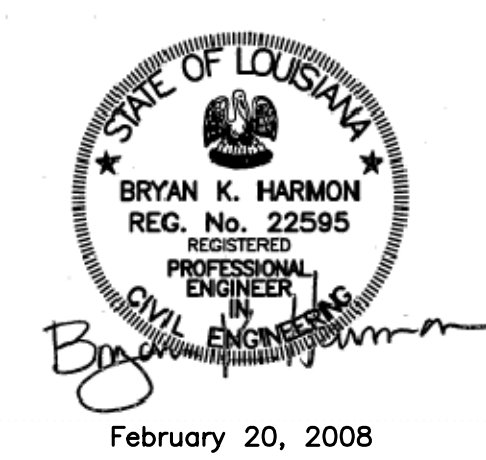
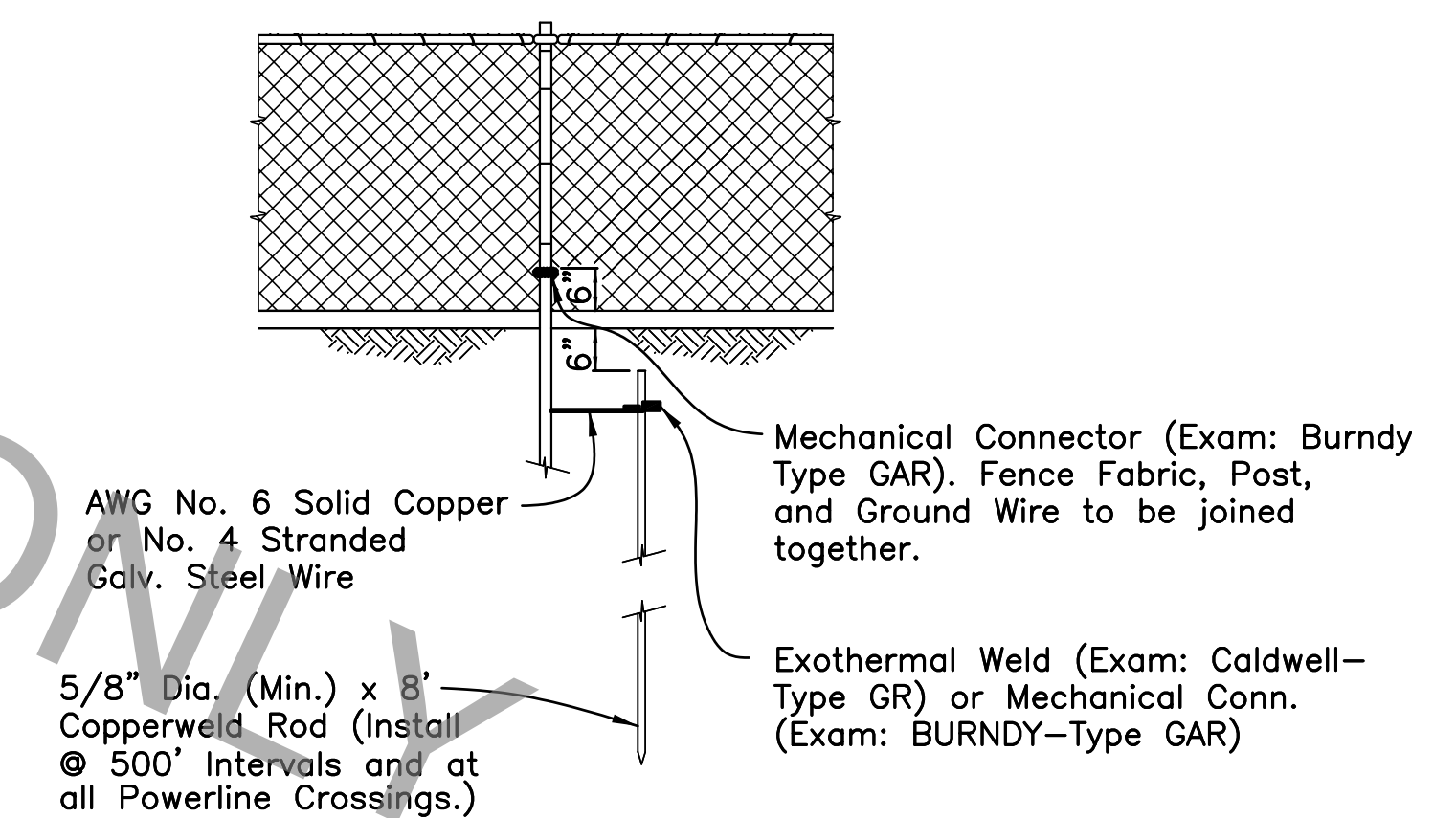
**DETAIL OF POST FOOTING**

**TYPICAL STRETCHER BAR BAND**



**TERMINAL POST DETAIL**

**DETAIL OF GROUND WIRES FOR FENCE**



STANDARD PLAN NO. 902-03	DATED February 7, 2008	SHEET NO. 1 OF 1
-----------------------------	---------------------------	---------------------

**CHAIN LINK SECURITY FENCE**

ENGINEERING DIVISION DEPARTMENT OF PUBLIC WORKS CITY OF BATON ROUGE & PARISH OF EAST BATON ROUGE			
DESIGNED R. ELLIS	DRAWN G. VANNICE	CHECKED R. ELLIS	APPROVED B. HARMON

DATE	DESCRIPTION	BY
	REVISIONS	