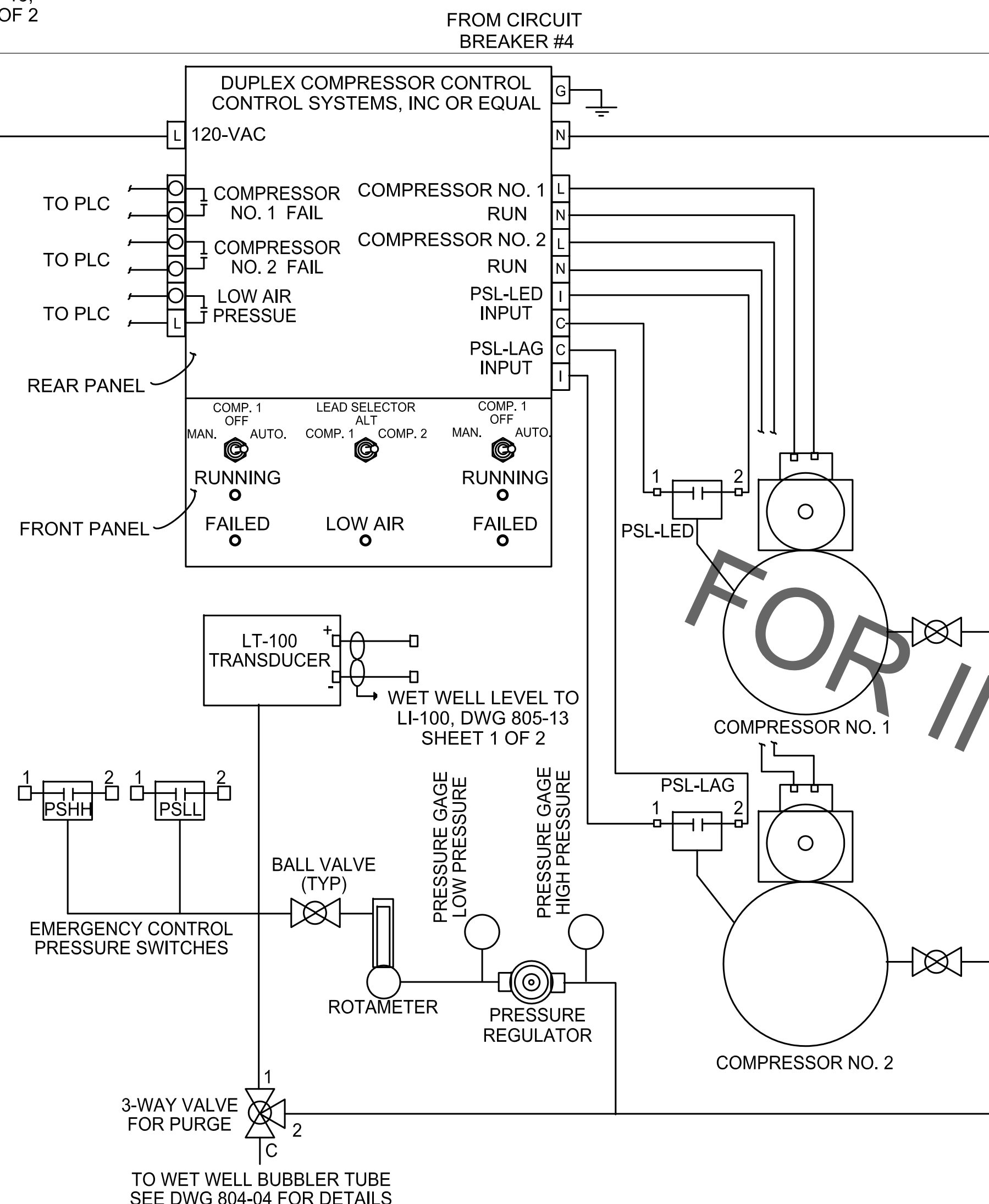


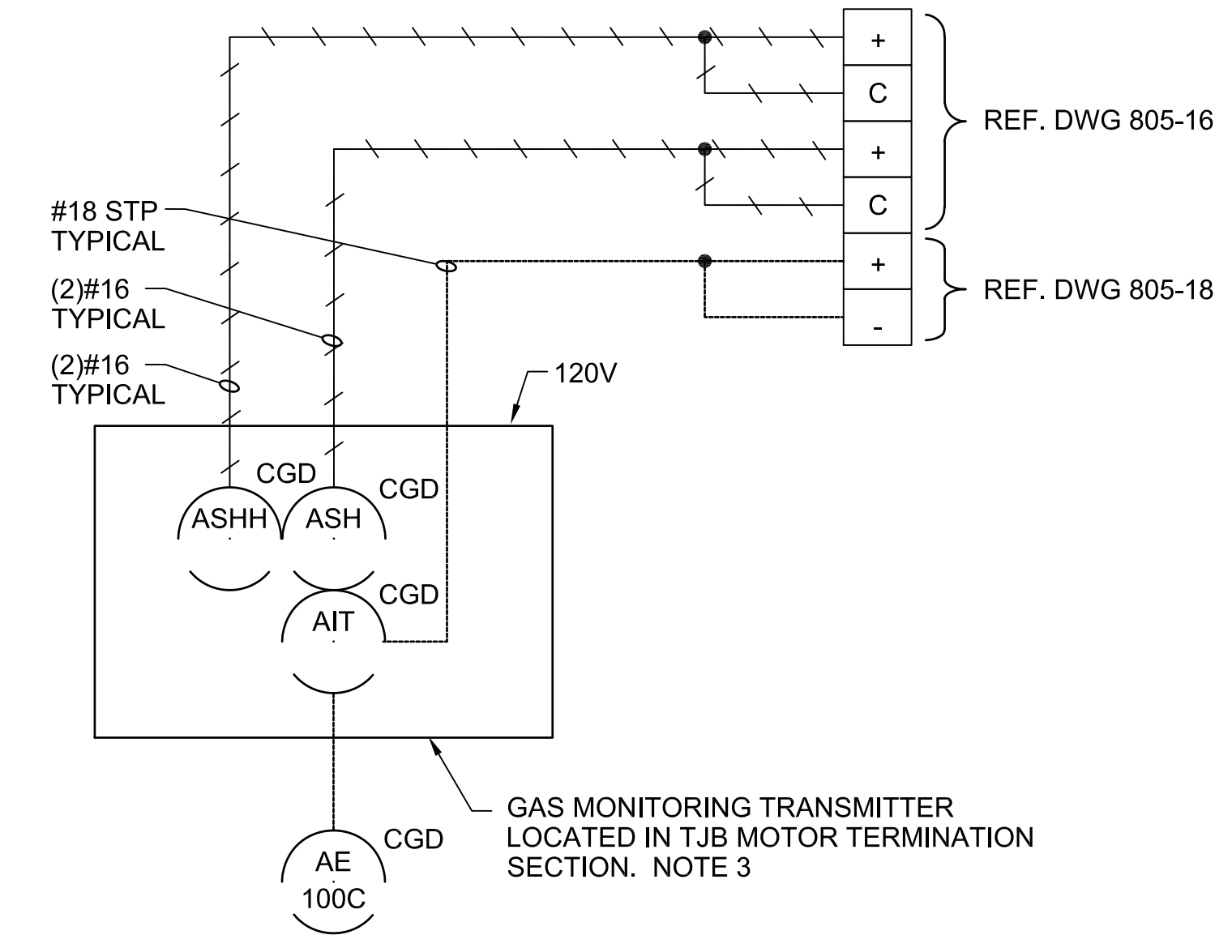
PROJECT NO.	SHEET

H1 CONTINUED FROM DWG 805-13, SHEET 1 OF 2

N1 CONTINUED FROM DWG 805-13, SHEET 1 OF 2

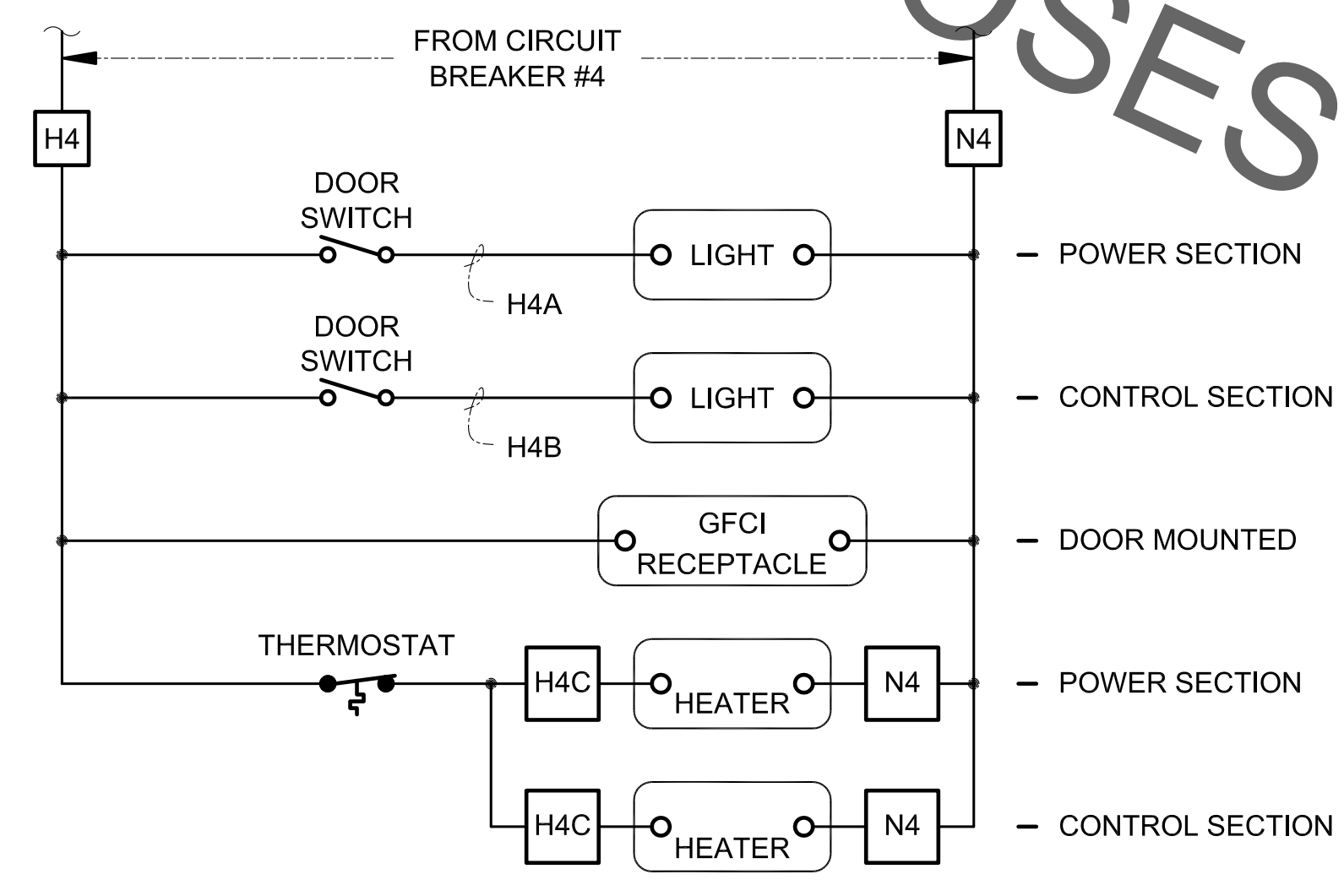
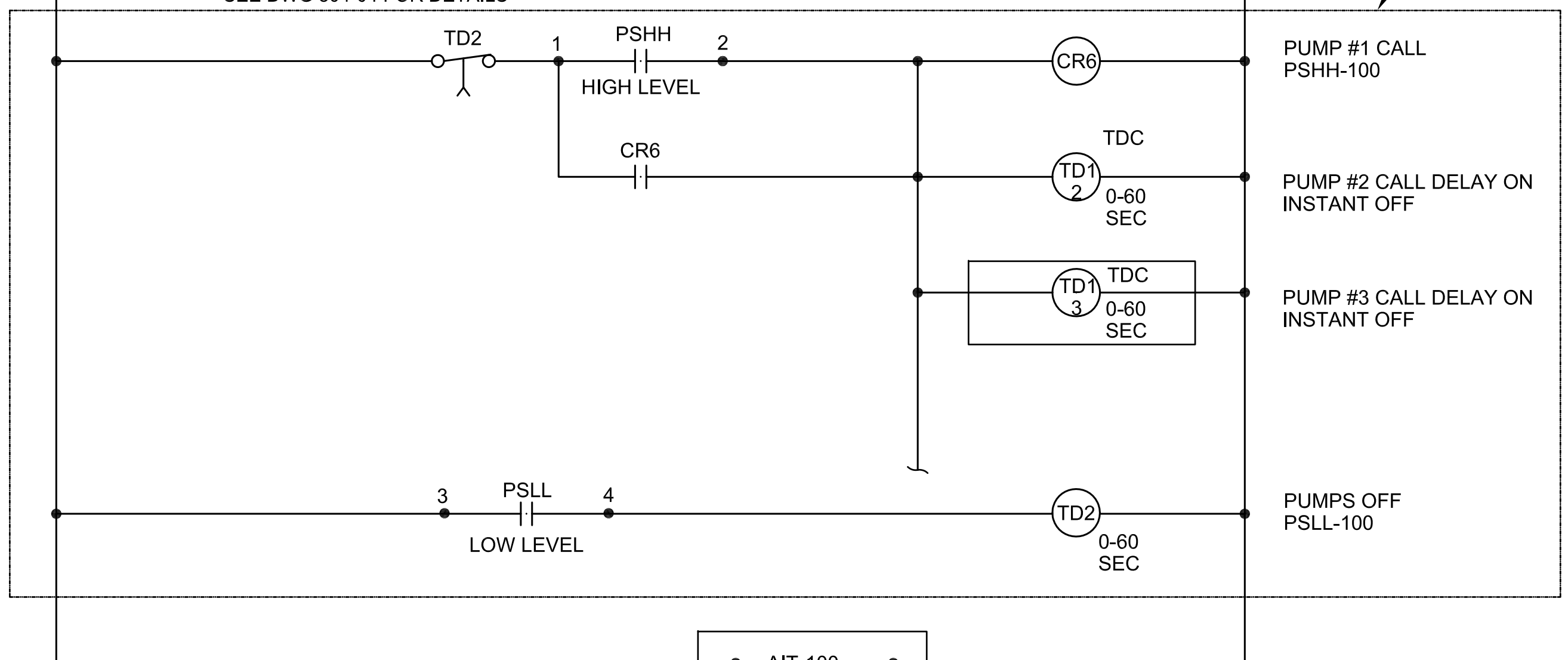


- NOTES:
1. PROVIDE ADDITIONAL TIME DELAY RELAYS PER NUMBER OF PUMPS.
  2. BUBBLER SYSTEM SHALL BE SUPPLIED WITH DUPLEX AIR COMPRESSORS CONFIGURED FOR AUTOMATIC SWITCHOVER IN THE EVENT OF A COMPRESSOR FAILURE. INSTALL BUBBLER SYSTEM IN THE CONTROL PANEL.
  3. GAS MONITORING TRANSMITTER SHOWS FUNCTIONAL REQUIREMENTS ONLY. COMPLETE DETAILED DESIGN BASED ON ACTUAL COMPONENT SELECTIONS.

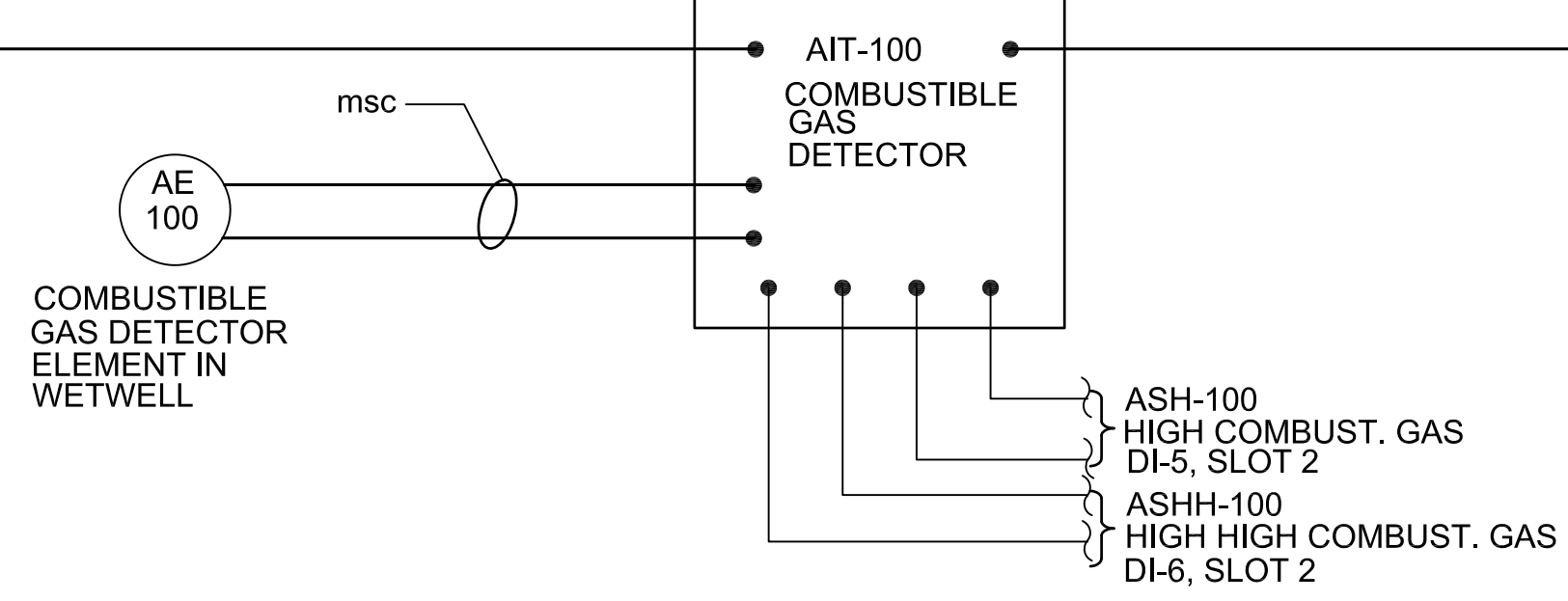
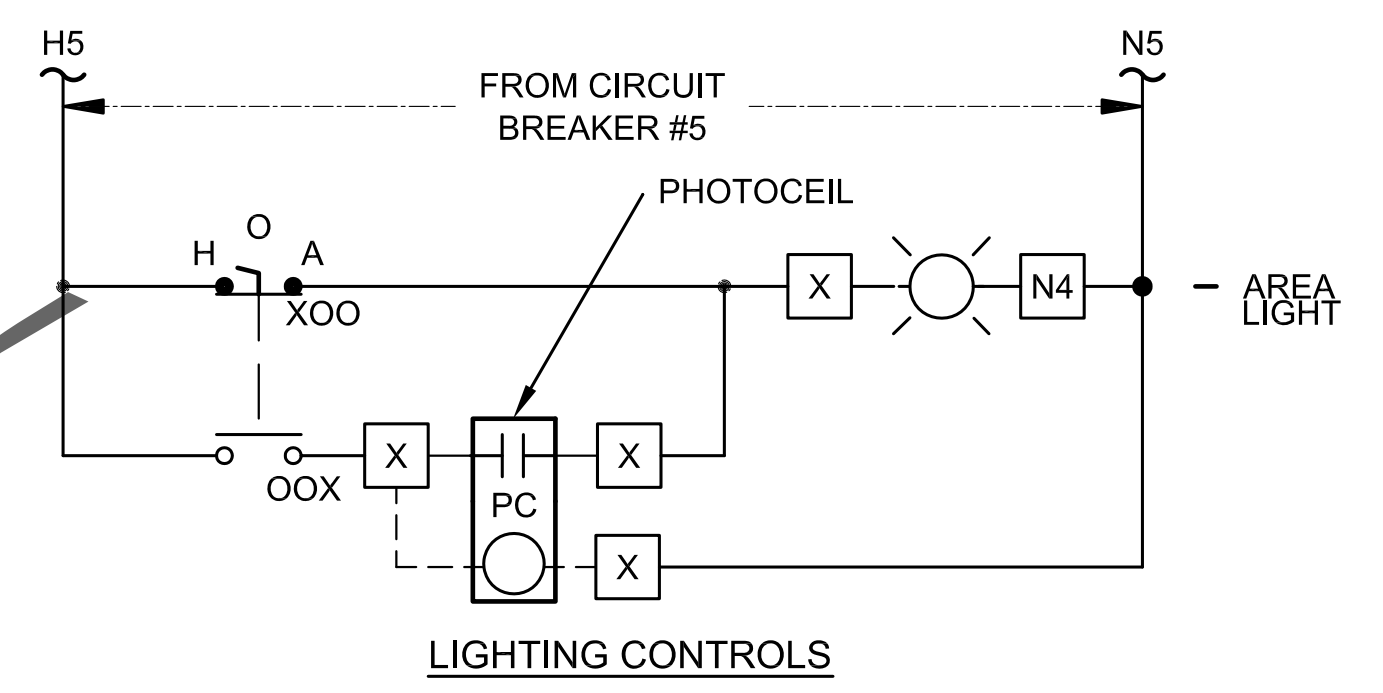


SENSORS INSTALLED IN PUMP STATION WET WELL

**GAS MONITORING LCP WIRING DIAGRAM**



**MISCELLANEOUS WIRING DIAGRAM**



STANDARD PLAN NO. 805-13	DATED AUGUST 1, 2011	SHEET NO. 2 OF 2
-----------------------------	-------------------------	---------------------

**POWER DISTRIBUTION AND PUMP CONTROL DIAGRAM (TYPE II PUMP STATION)**

ENGINEERING DIVISION			
DEPARTMENT OF PUBLIC WORKS			
CITY OF BATON ROUGE & PARISH OF EAST BATON ROUGE			
DESIGNED	DRAWN	CHECKED	APPROVED
A. SCHULZE	G. VANNICE	R. WRIGHT	B. HARMON

DATE	DESCRIPTION REVISIONS	BY