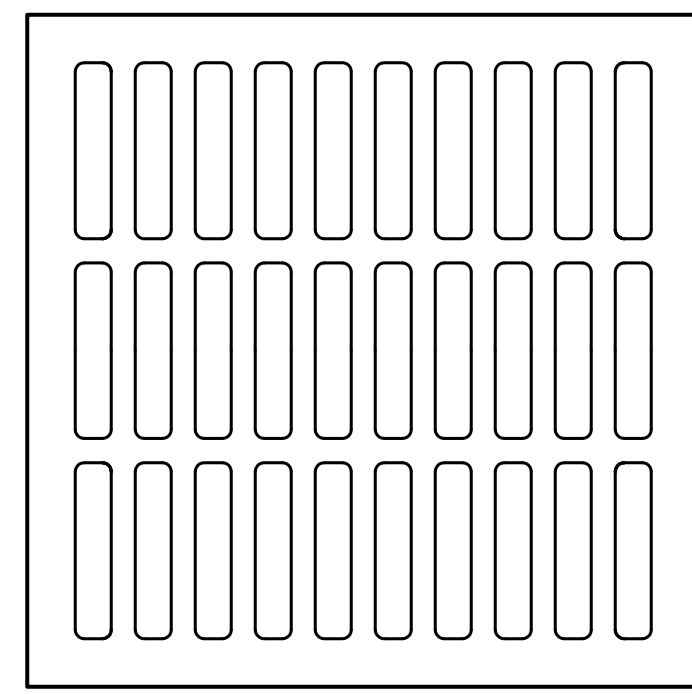
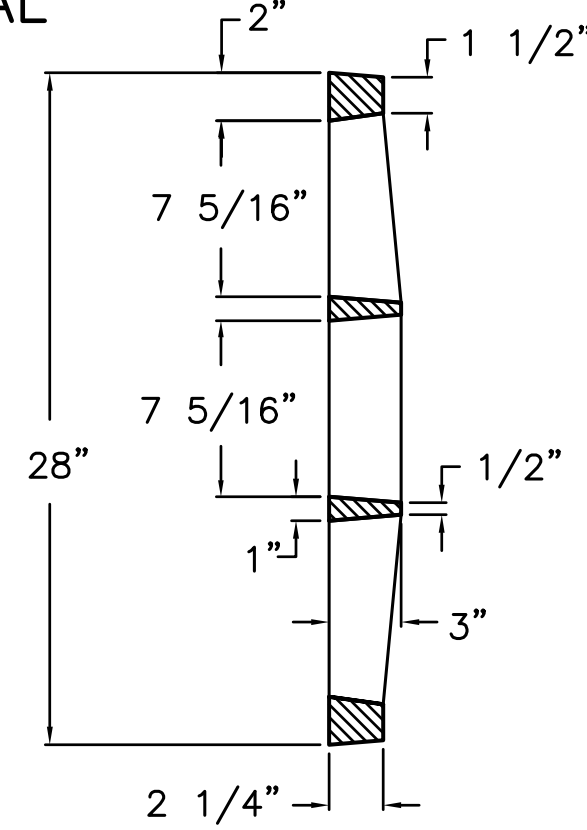


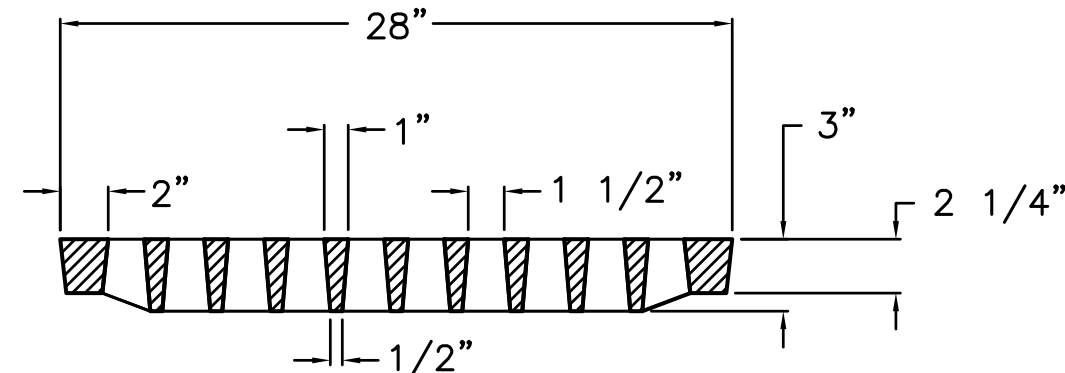
EJIW PRODUCT #45775030, USF 6278  
OR APPROVED EQUAL



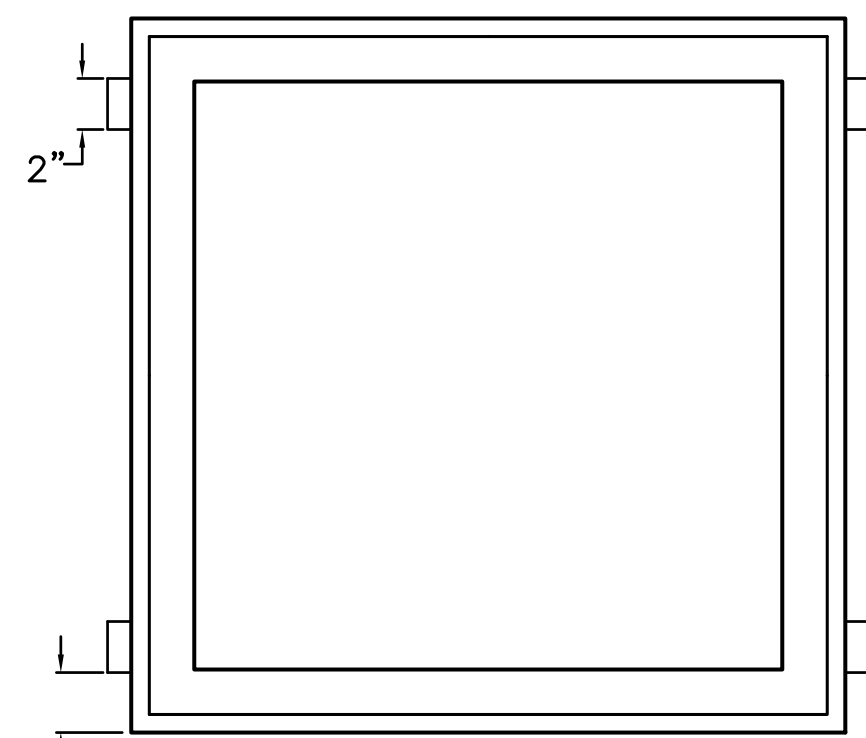
GRATE TOP VIEW



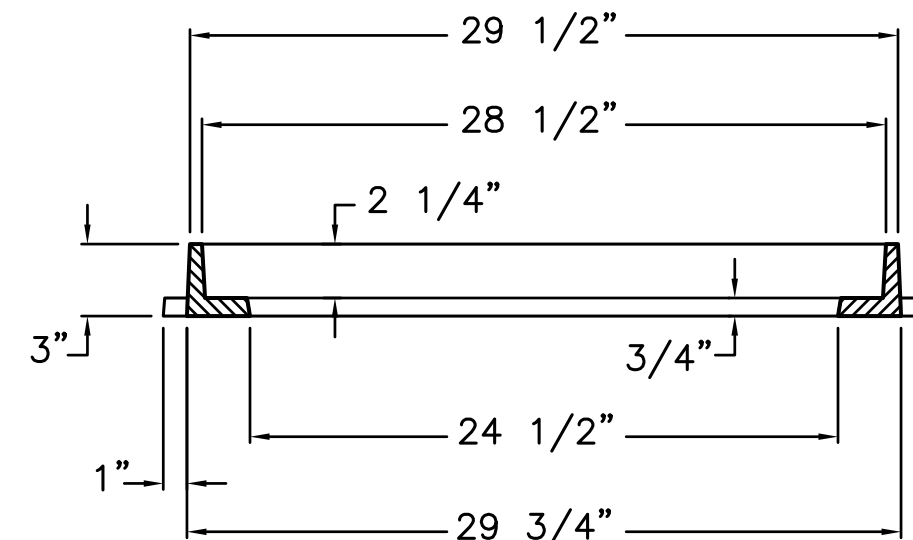
GRATE SECTION



GRATE SECTION



FRAME TOP VIEW

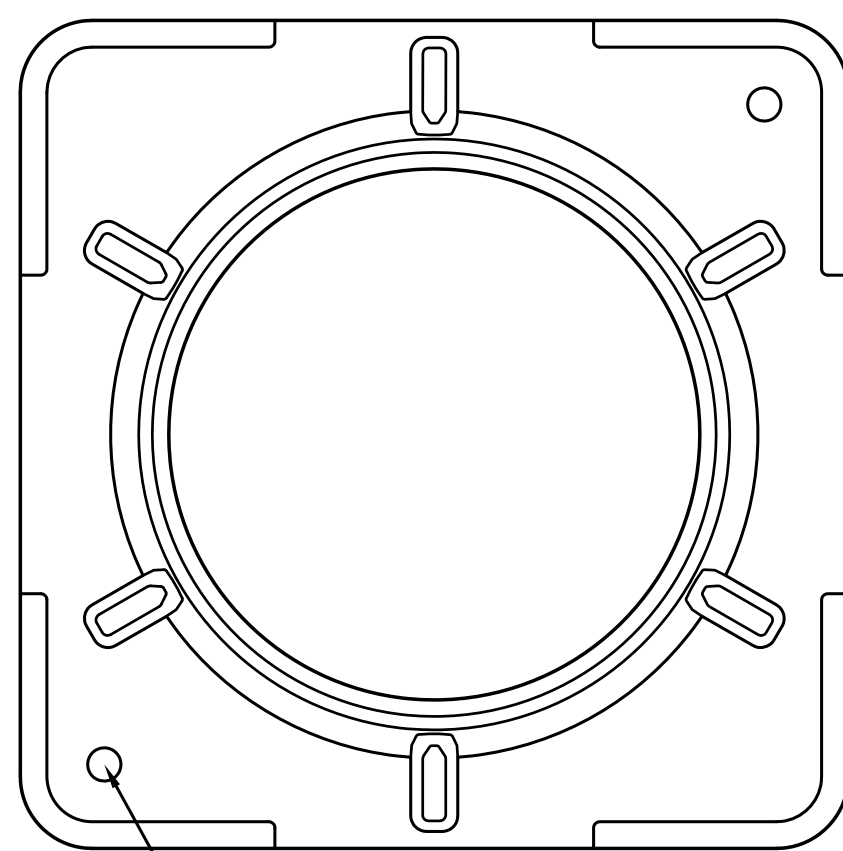


FRAME SECTION

"TYPE 3"  
SCALE: 1-1/2"=1'-0"

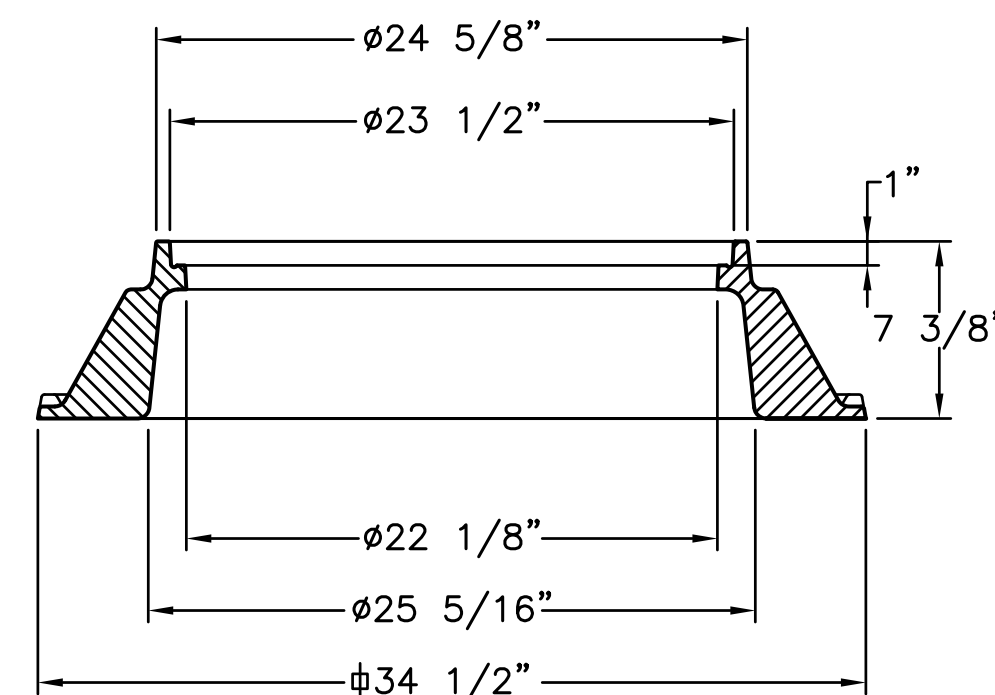
EJIW PRODUCT #45775010  
USF 4650  
OR APPROVED EQUAL

EJIW PRODUCT #41301211, USF 678 BZ  
OR APPROVED EQUAL



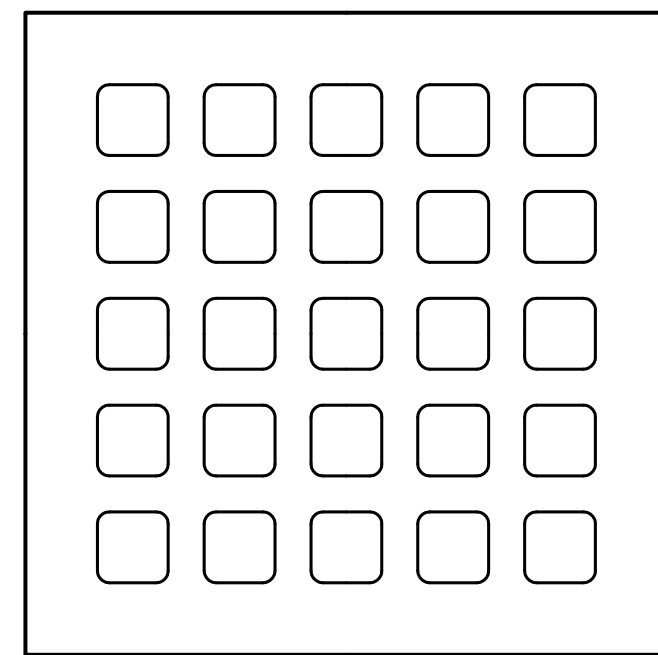
(2) 1" DIA.  
HANDLING HOLES

"TYPE 9"  
SCALE: 1-1/2"=1'-0"

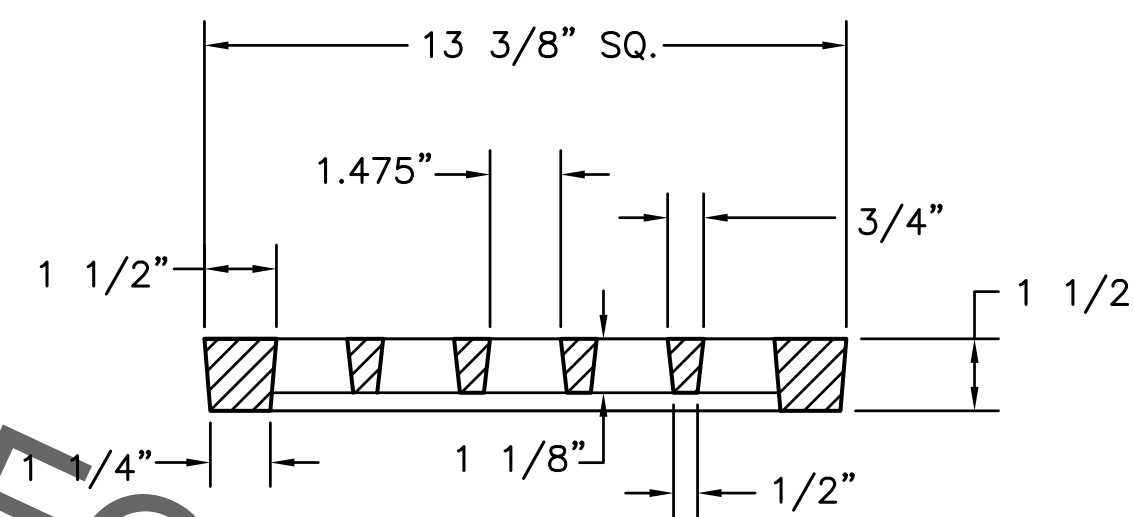


NOTE:  
FRAME TO BE USED WITH TYPE 7 COVER.

EJIW PRODUCT #45913130, USF 6279  
OR APPROVED EQUAL



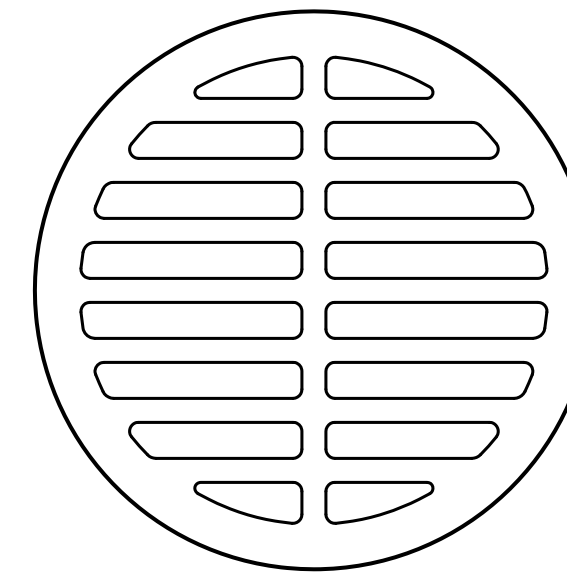
GRATE TOP VIEW



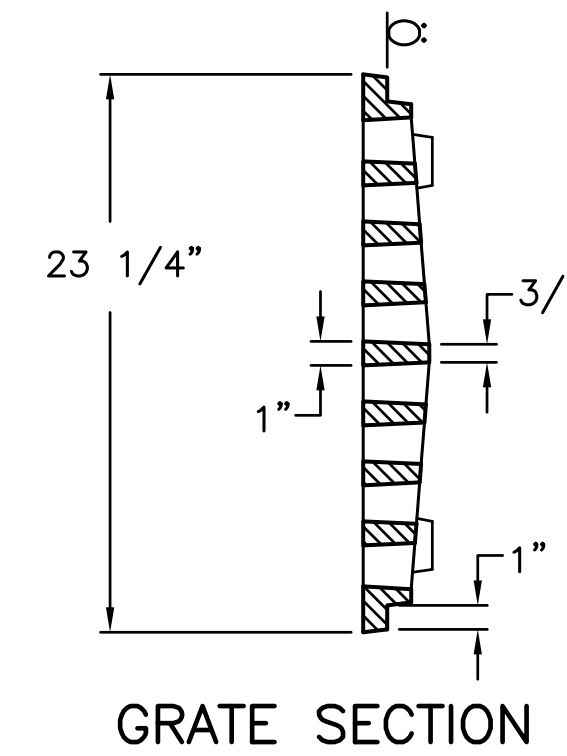
GRATE SECTION

"TYPE 4"  
SCALE: 3"=1'-0"  
DETAILS OF CAST IRON GRATE  
WEIGHT OF CASTING = 38 LBS.

EJIW PRODUCT #43501030, USF 5685  
OR APPROVED EQUAL

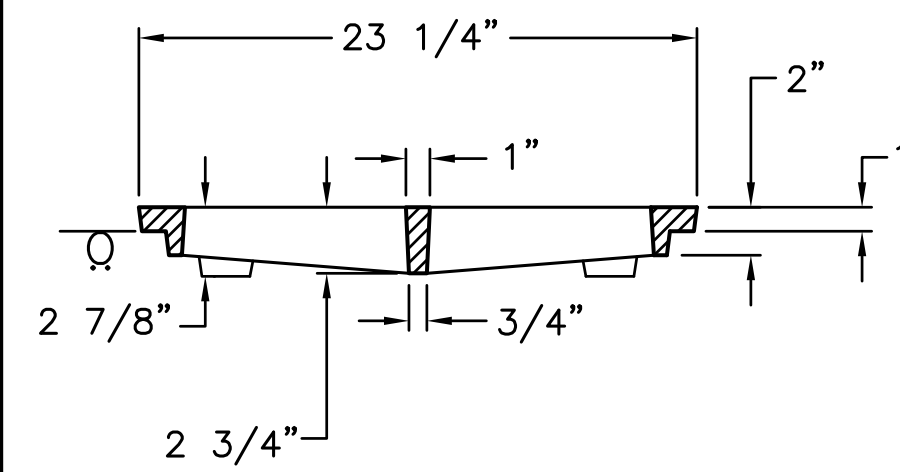


GRATE TOP VIEW



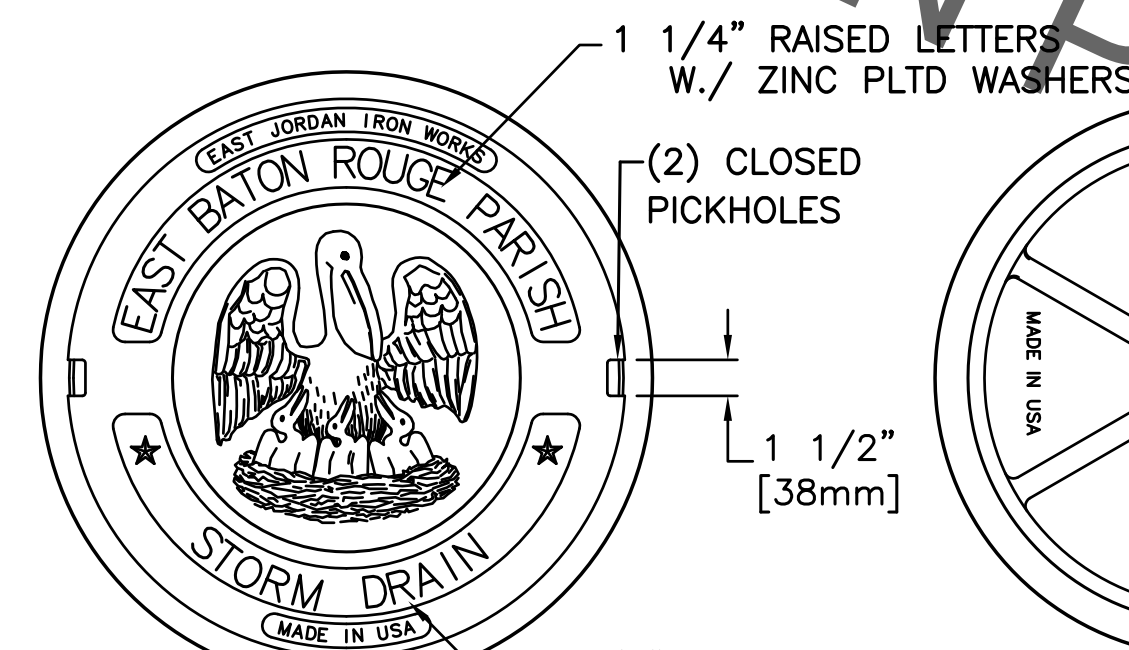
GRATE SECTION

Ø MACHINED SURFACE

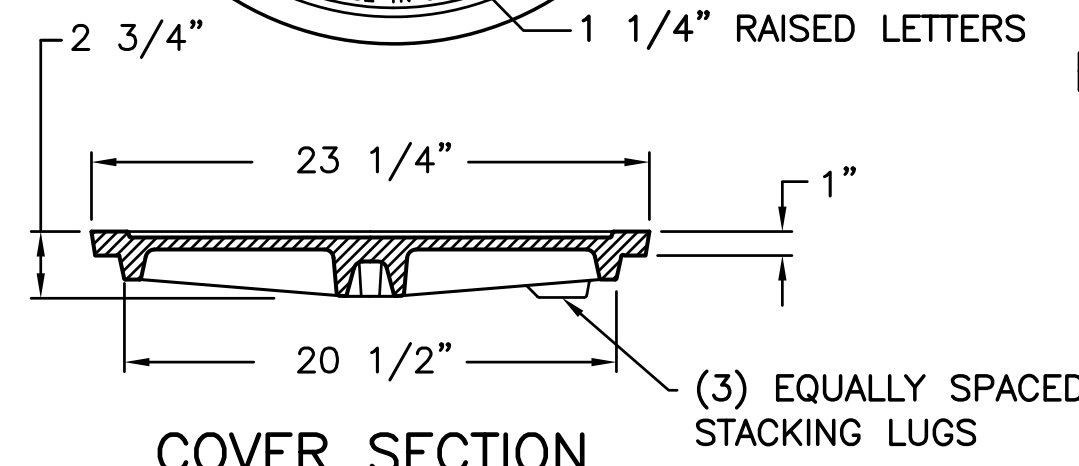


GRATE SECTION

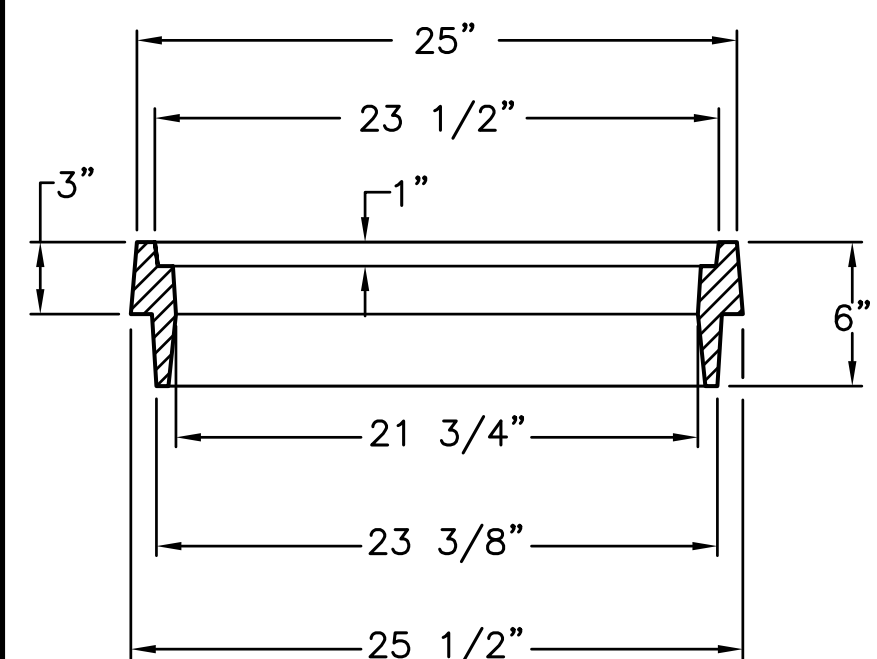
"TYPE 5"  
SCALE: 1-1/2"=1'-0"



BOTTOM VIEW  
OF COVER



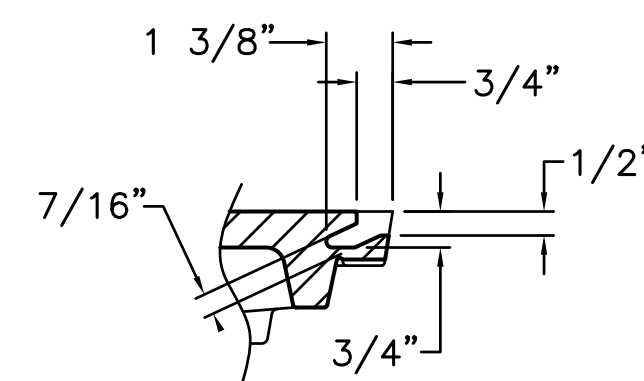
COVER SECTION



RING SECTION

"TYPE 7"  
SCALE: 1-1/2"=1'-0"

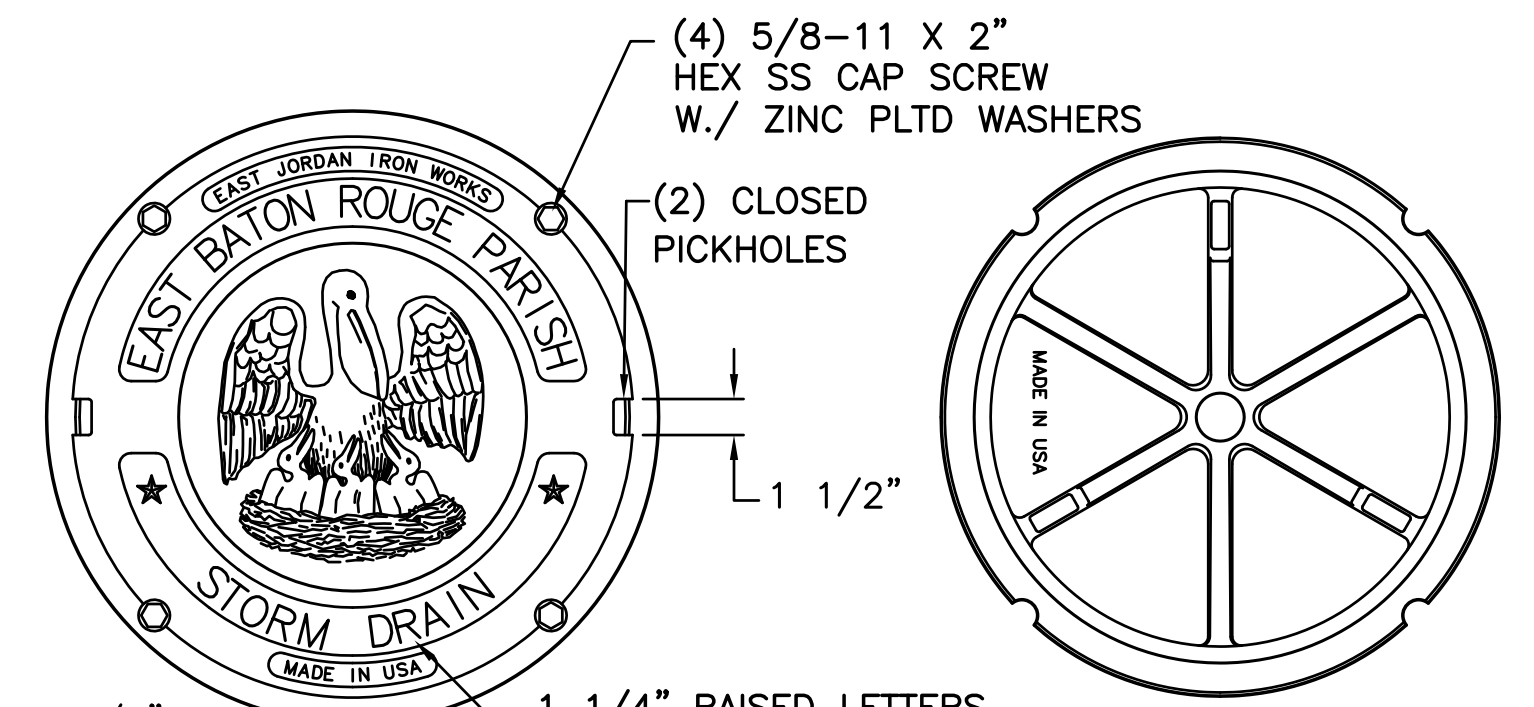
EJIW PRODUCT #41886010  
USF 1346 BZ  
OR APPROVED EQUAL



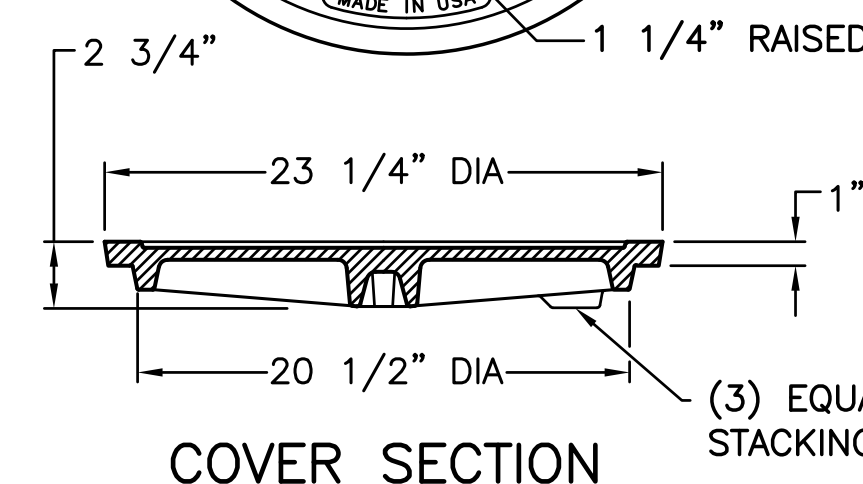
PICKHOLE DETAIL

EJIW PRODUCT #41886007  
USF 1346 BZ BLT  
OR APPROVED EQUAL

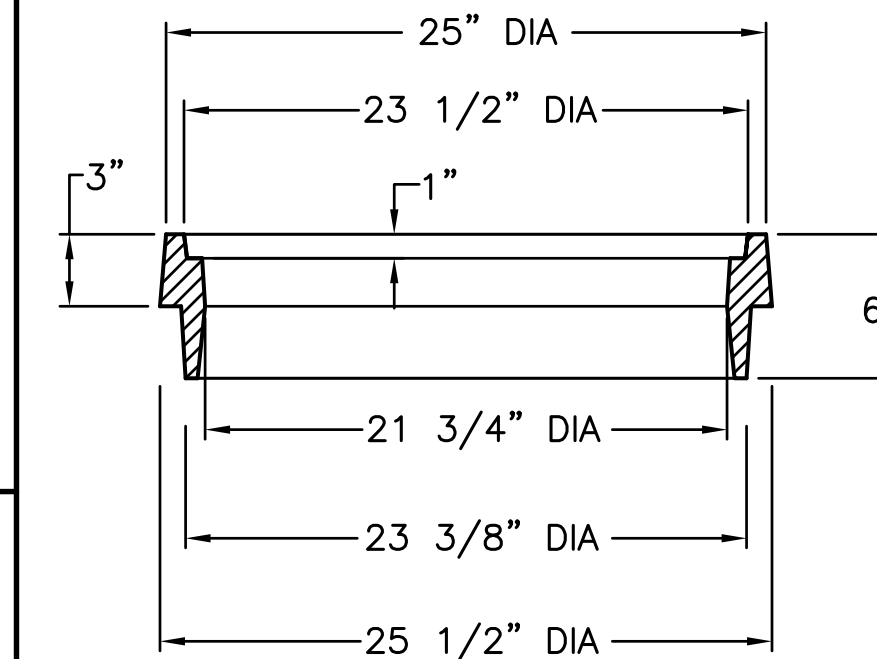
PROJECT NO.	SHEET



BOTTOM VIEW  
OF COVER

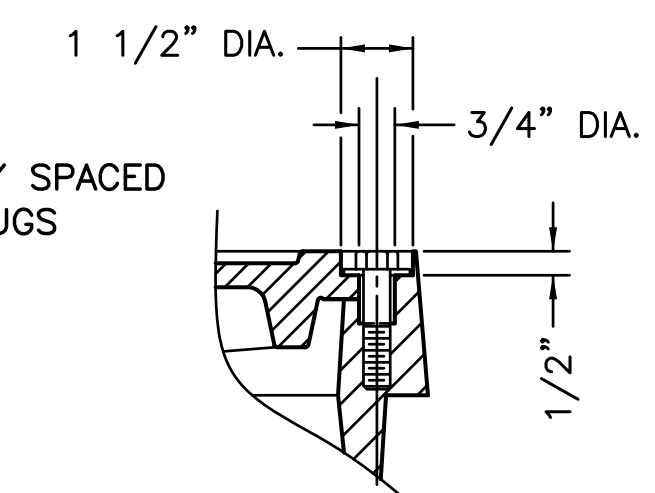


COVER SECTION

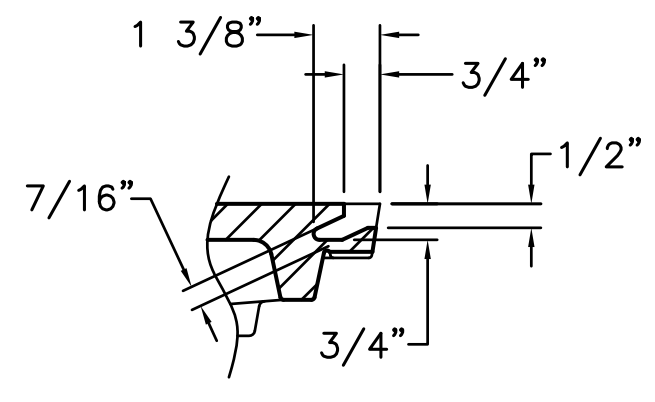


RING SECTION

"TYPE 6"  
SCALE: 1-1/2"=1'-0"

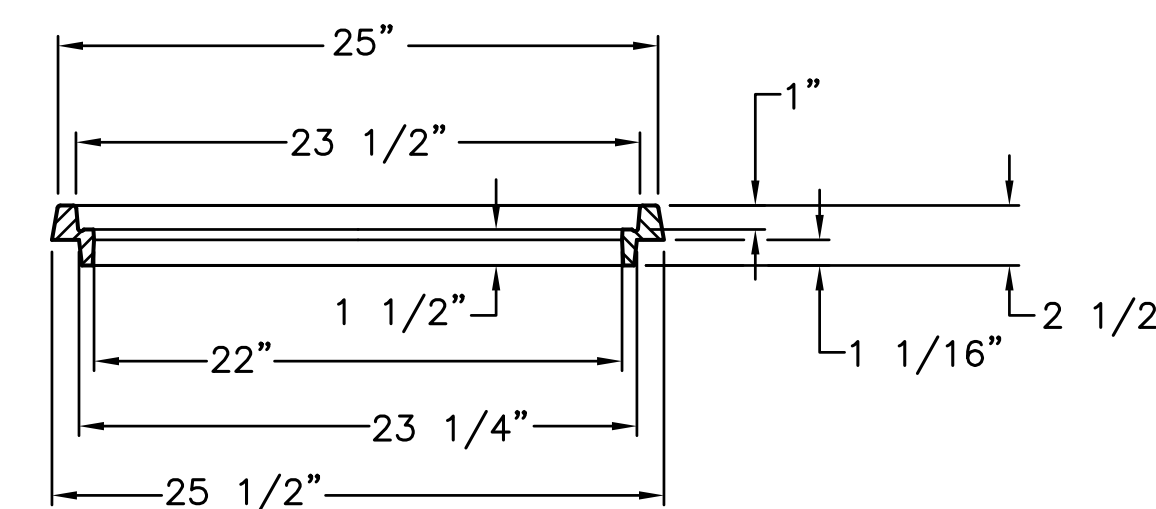


BOLT DETAIL



PICKHOLE DETAIL

EJIW PRODUCT #41901110  
USF 2337  
OR APPROVED EQUAL



RING SECTION

"TYPE 8"  
DETAILS OF MANHOLE  
ADJUSTMENT RING  
SCALE: 1 1/2"=1'-0"



AUGUST 11, 2008

STANDARD PLAN No. 702-99	DATED AUGUST 11, 2008	SHT. No. 3 OF 3
-----------------------------	--------------------------	--------------------

FRAMES, GRATES AND COVERS  
FOR INLETS AND MANHOLES

ENGINEERING DIVISION DEPARTMENT OF PUBLIC WORKS CITY OF BATON ROUGE & PARISH OF EAST BATON ROUGE			
DESIGNED G. CHENG	DRAWN G. VANNICE	CHECKED G. CHENG	APPROVED B. HARMON

702-99