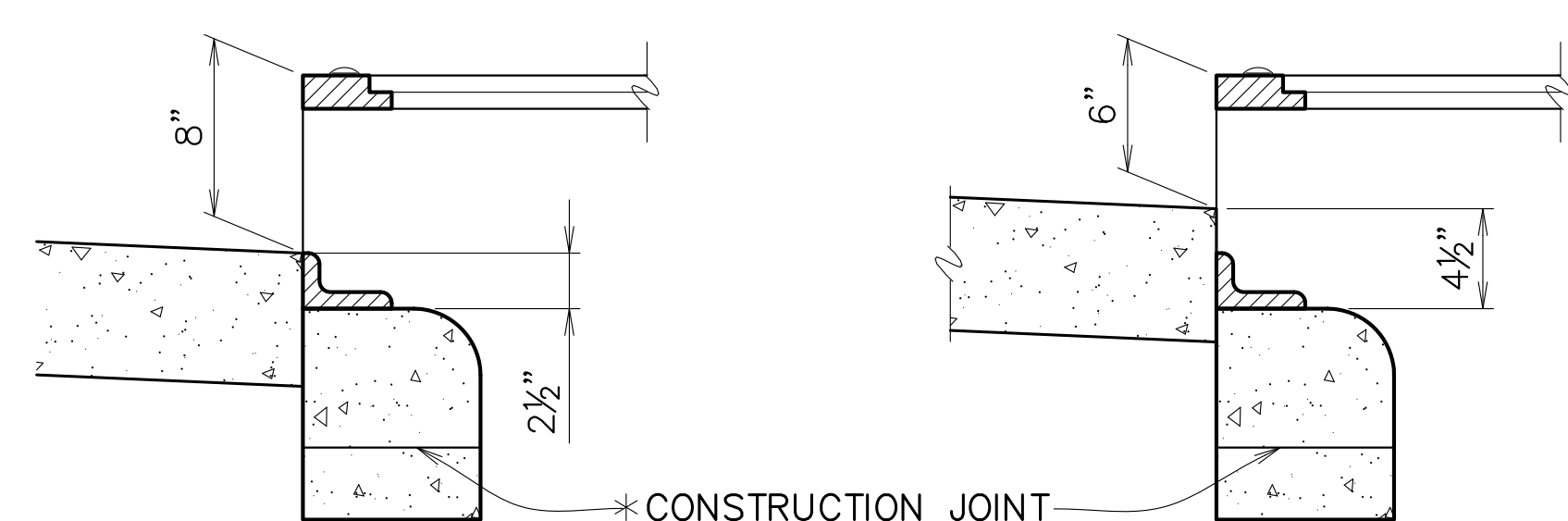
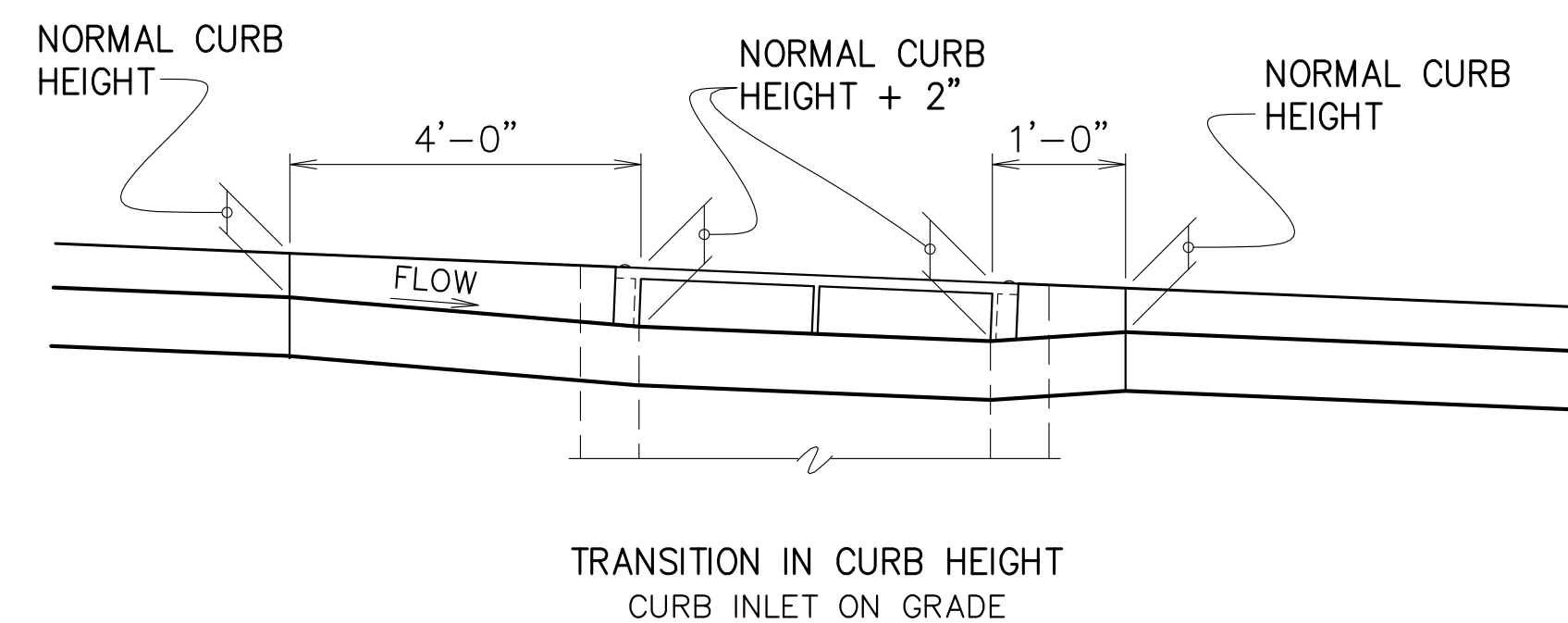
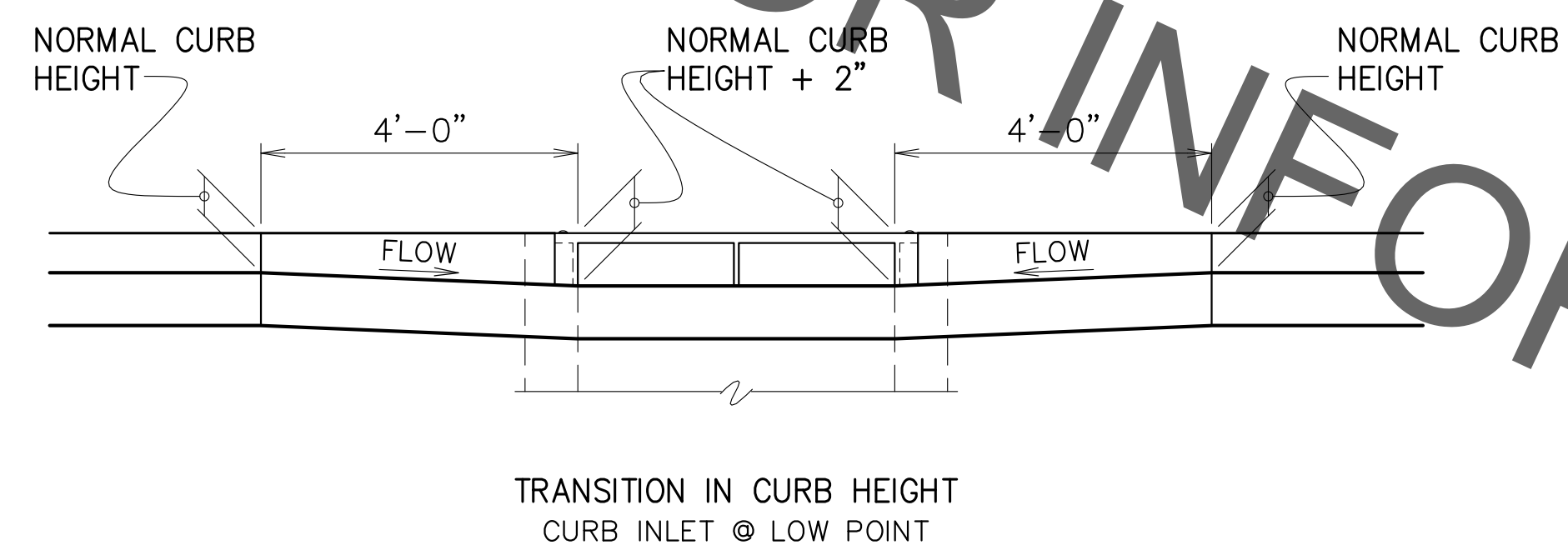
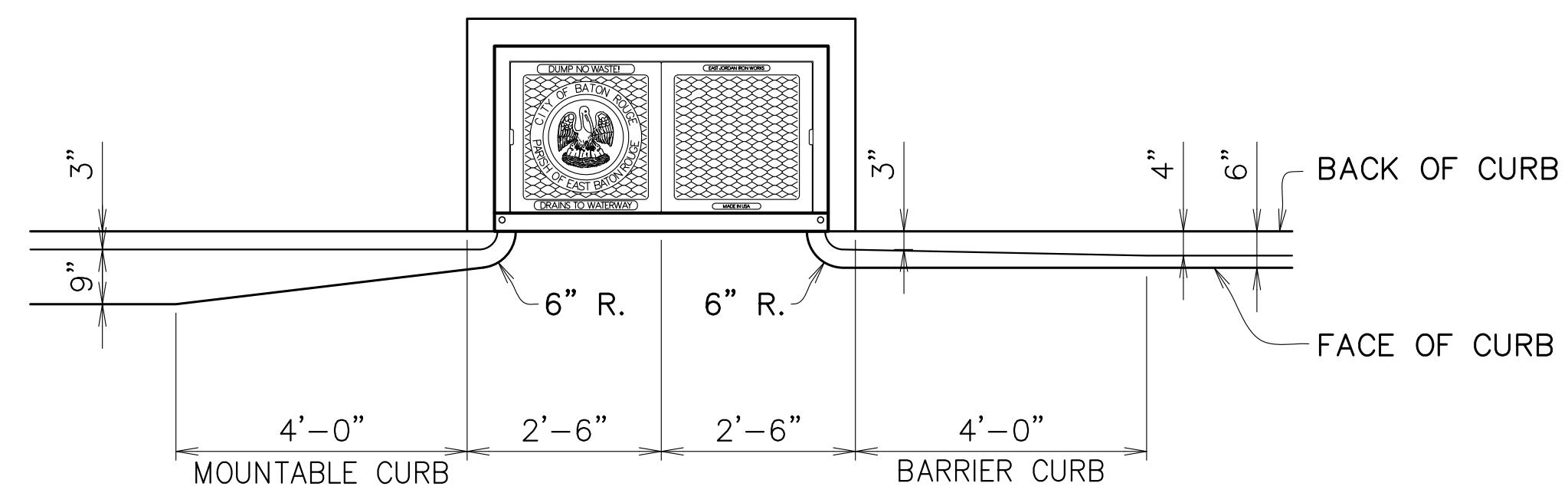


PROJECT NO.	SHEET

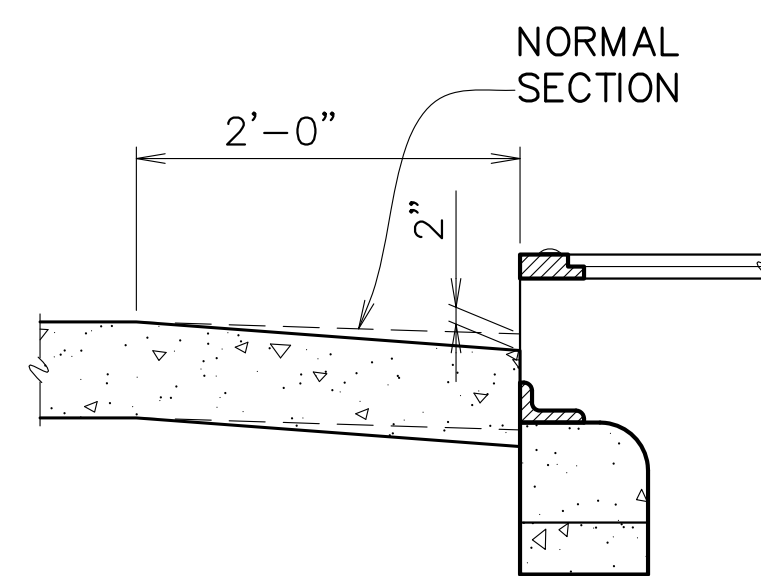


WHEN USED WITH
6" BARRIER CURB

WHEN USED WITH
4" MOUNTABLE CURB

INLET CONFIGURATION

SCALE: 1-1/2" = 1'-0"

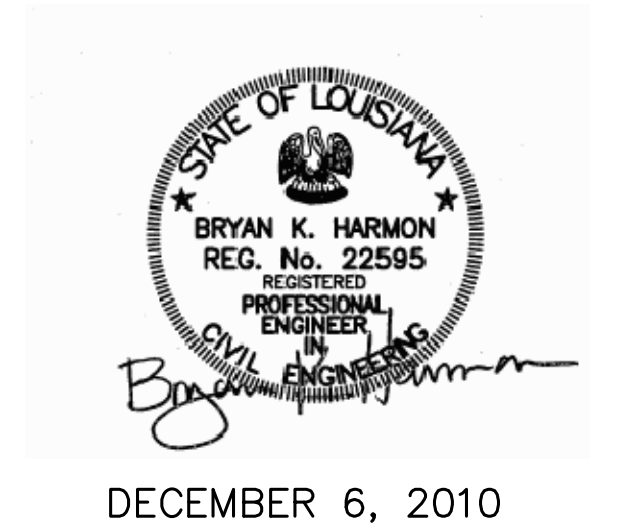


SECTION
SHOWING PAVEMENT SUMP

SCALE: 1" = 1'-0"

* NOTE:
THE BASIN SHALL NOT BE CONSTRUCTED ABOVE BOTTOM OF PAVEMENT ELEVATION UNTIL THE PAVING ADJACENT TO THE BASIN IS IN PLACE.

FOR INFORMATION PURPOSES ONLY



STANDARD PLAN No. 702-98	DATED DEC. 6, 2010	SHT. No. 1 OF 1
-----------------------------	-----------------------	--------------------

**DRAINAGE STRUCTURES
CURB TRANSITION DETAILS**

ENGINEERING DIVISION DEPARTMENT OF PUBLIC WORKS CITY OF BATON ROUGE & PARISH OF EAST BATON ROUGE			
DESIGNED GLP	DRAWN GLP	CHECKED GLP	APPROVED B. HARMON

DATE	DESCRIPTION REVISION	BY