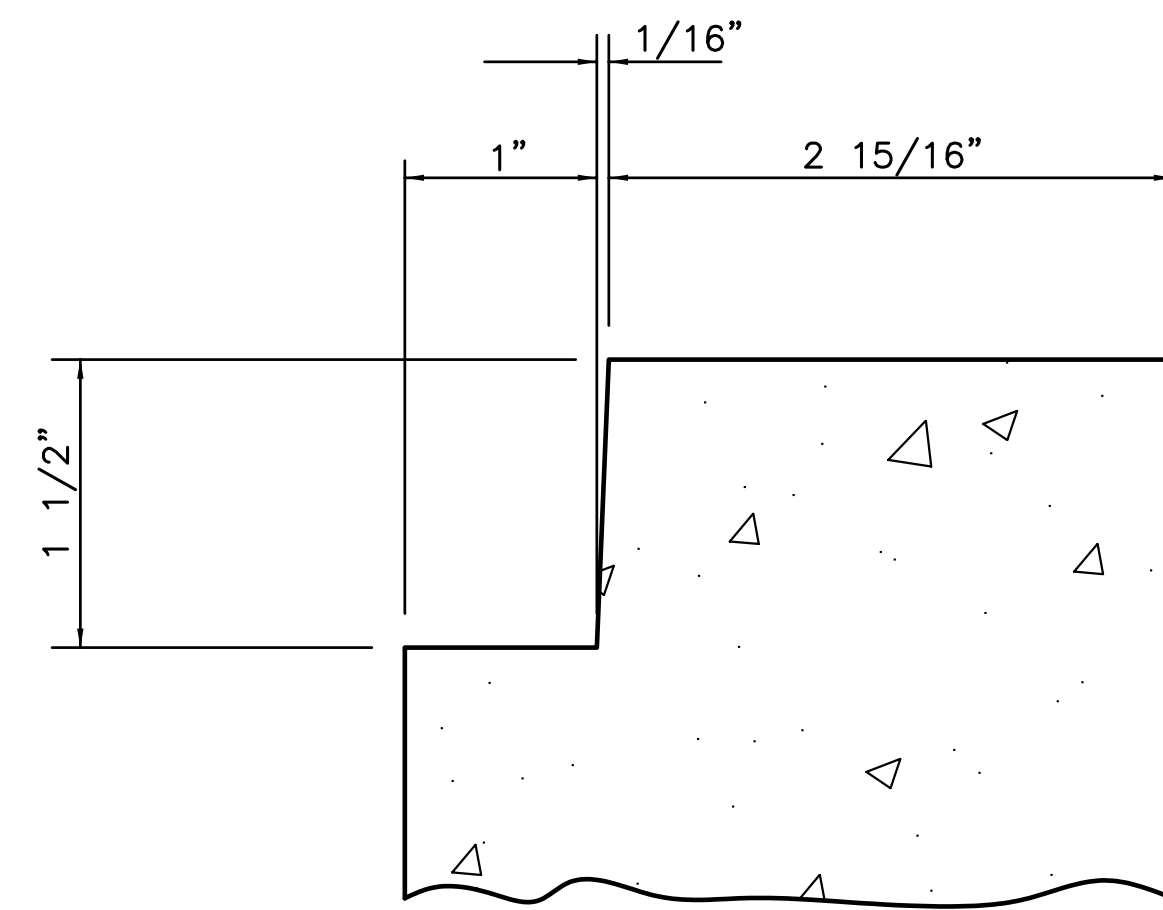
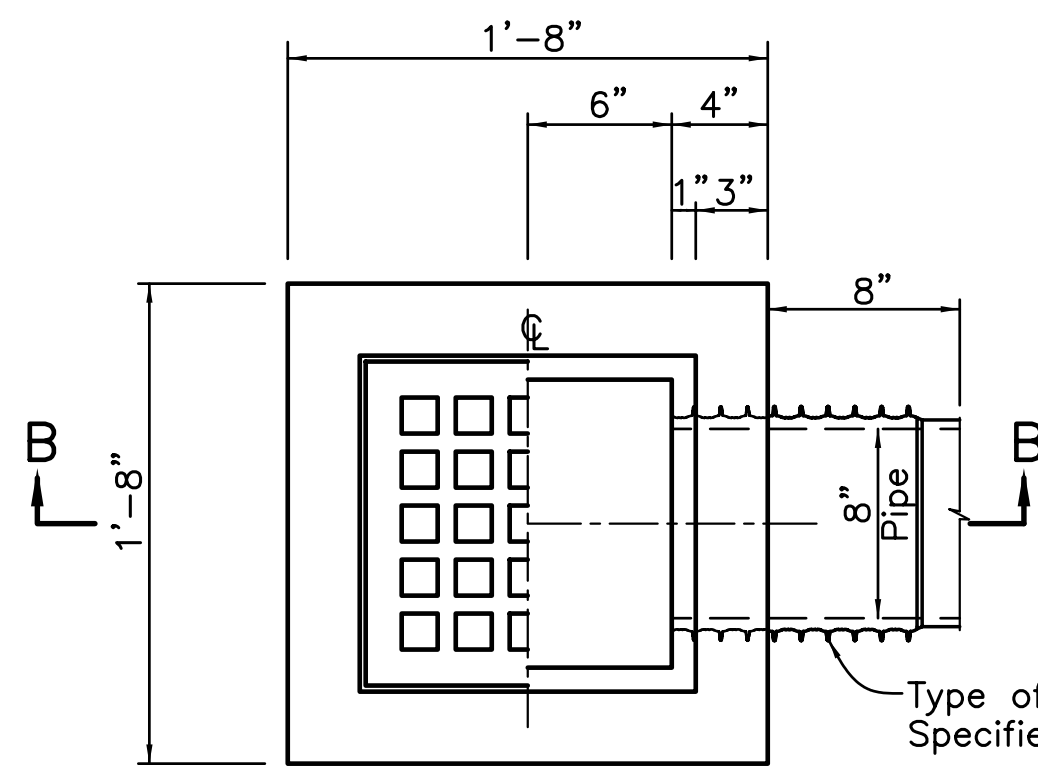


PROJECT NO.	SHEET



INSET "A"
(Typical)

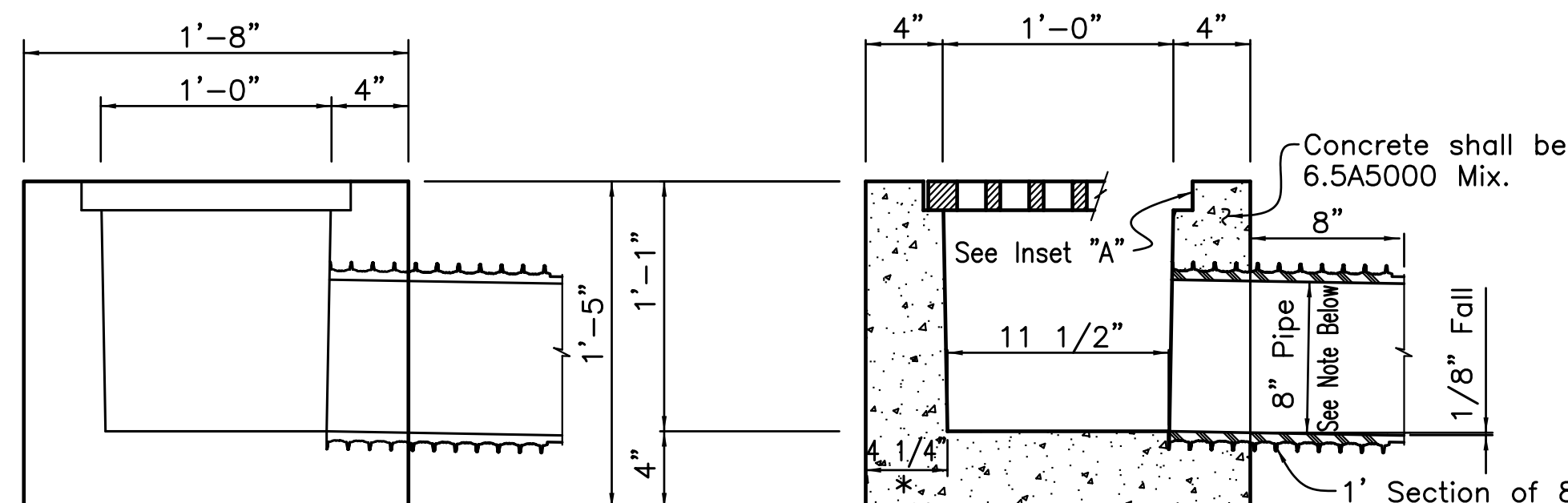


PLAN

Weight Approx. 460 lbs. plus Grate

PRECAST OPTION

Notes:
Concrete to be Class "P"
Catch Basin to be supplied complete,
including C.I. Grate.
The Catch Basin Supplier shall be
responsible for Selection and Placement
of any Pick-up and Handling Devices.
Setting Tolerance to be +0 & -



ELEVATION

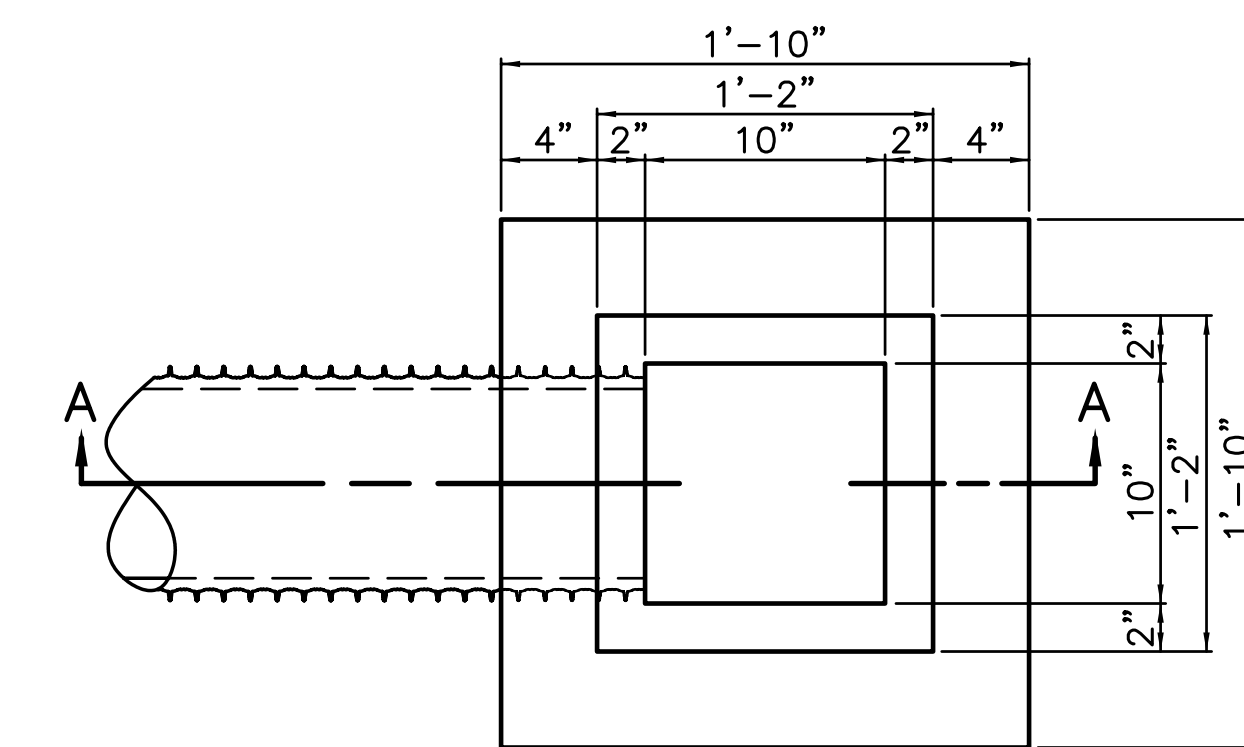
SECTION B-B

* 4" Uniform Walls may be used,
at Suppliers Option.

1' Section of 8" Pipe cast
into Basin at Casting Yard.
Projecting End to be Male.

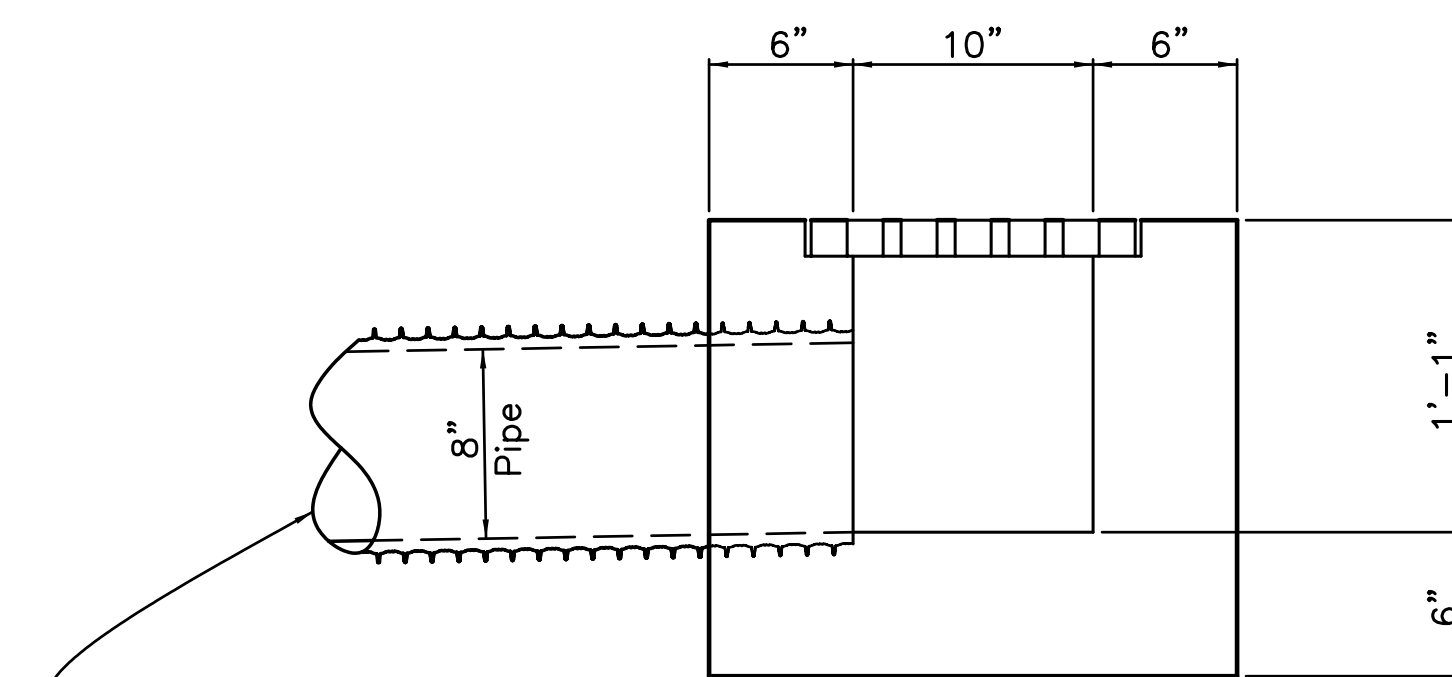
CAST-IN-PLACE
OPTION

Class "A" Concrete



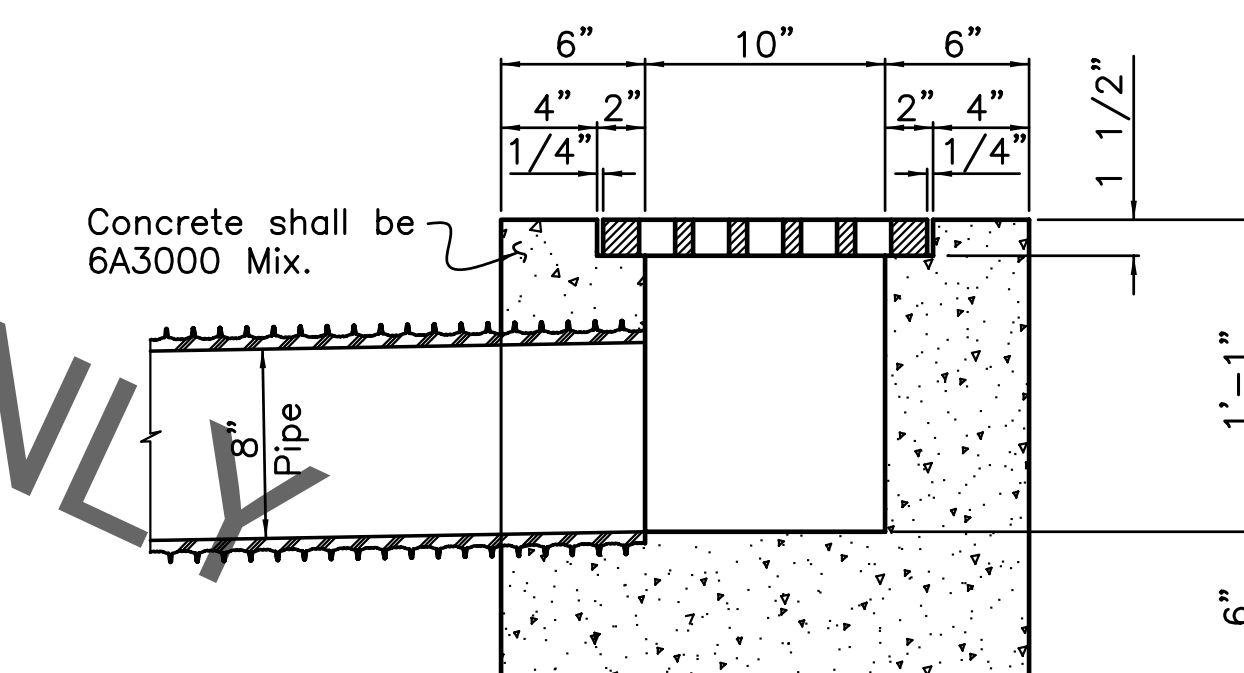
PLAN

Grate not Shown



ELEVATION

Type of Pipe to be
Specified on Plan/Profile
Sheet.



SECTION A-A

Concrete shall be
6A3000 Mix.



January 18, 2008

NOT TO BE USED WHERE
SUBJECT TO VEHICULAR
TRAFFIC

NOTES:

- SEE STANDARD PLAN 702-99 FOR FRAME COVER DETAILS.
- PRECAST CONCRETE INLETS CONFORMING TO STANDARD PLAN 702-50 MAY BE FURNISHED. GROUT AS REQUIRED TO CREATE INVERTS.
- THE CONTRACTOR SHALL NOT POUR ABOVE BOTTOM OF PAVEMENT SLAB UNTIL PAVING ADJACENT TO INLET HAS BEEN COMPLETED.
- DIAGONAL REINFORCEMENT FOR PIPE LARGER THAN 36".

DATE	DESCRIPTION REVISIONS	BY

STANDARD PLAN NO. 702-21	DATED January 18, 2008	SHEET NO. 1 OF 1
YARD DRAIN		
ENGINEERING DIVISION DEPARTMENT OF PUBLIC WORKS CITY OF BATON ROUGE & PARISH OF EAST BATON ROUGE		
DESIGNED R. ELLIS	DRAWN G. VANNICE	CHECKED R. ELLIS
APPROVED B. HARMON		