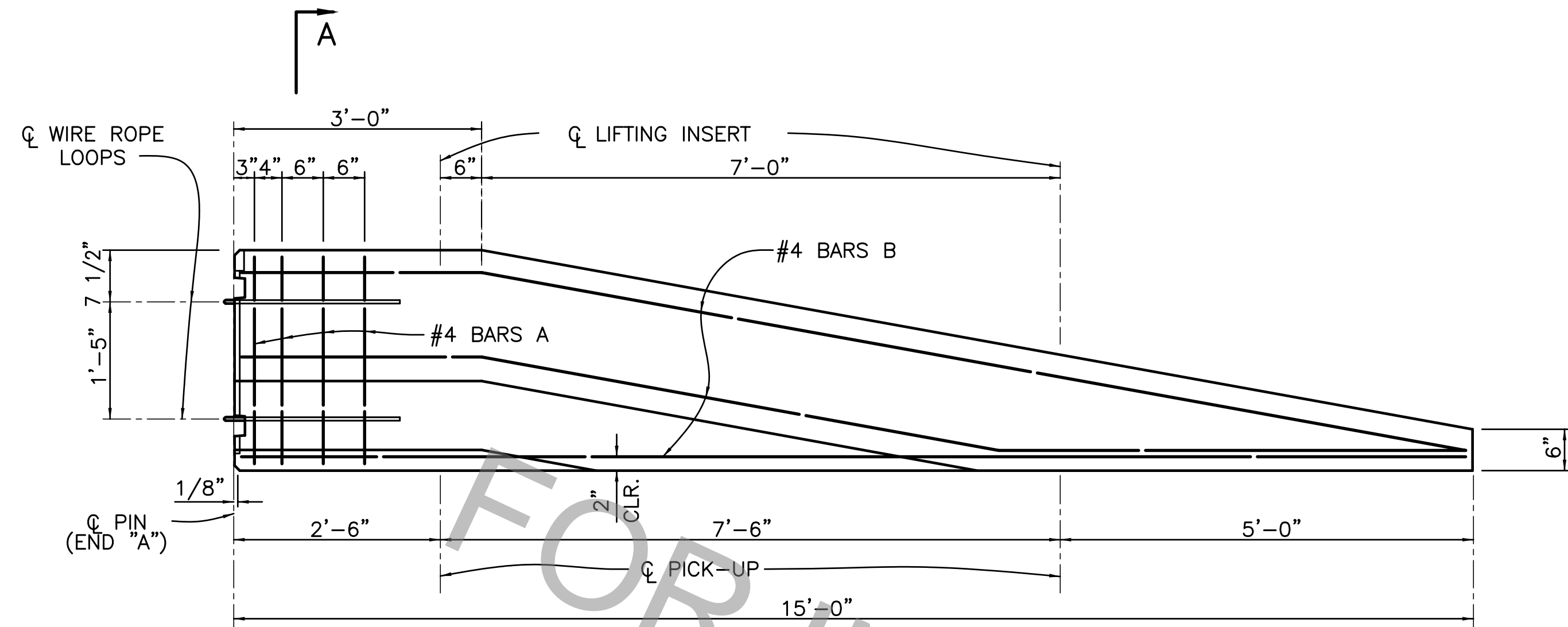
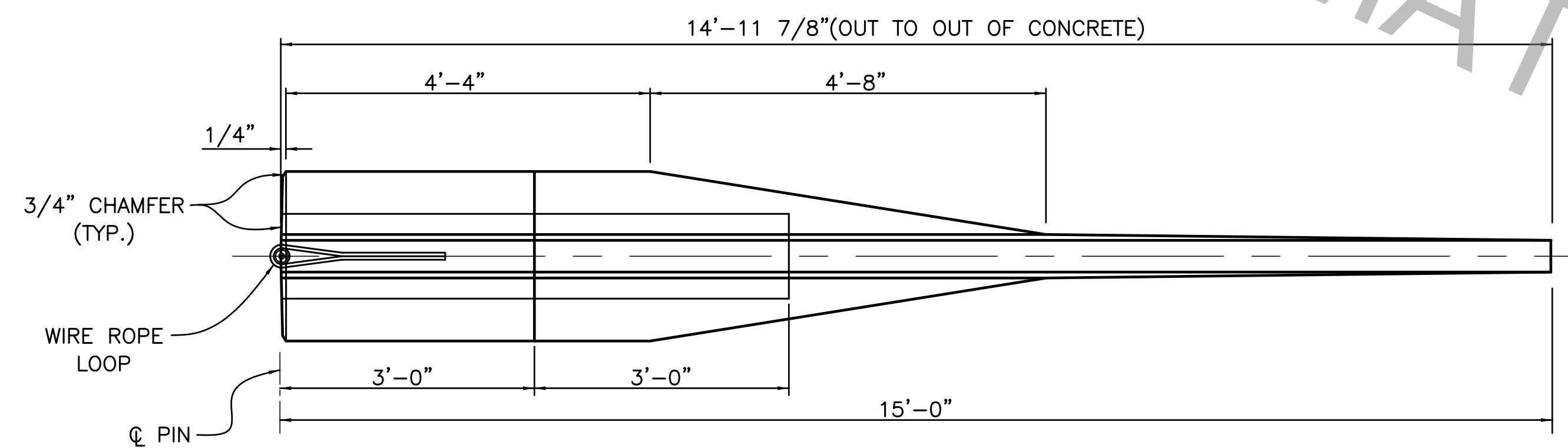


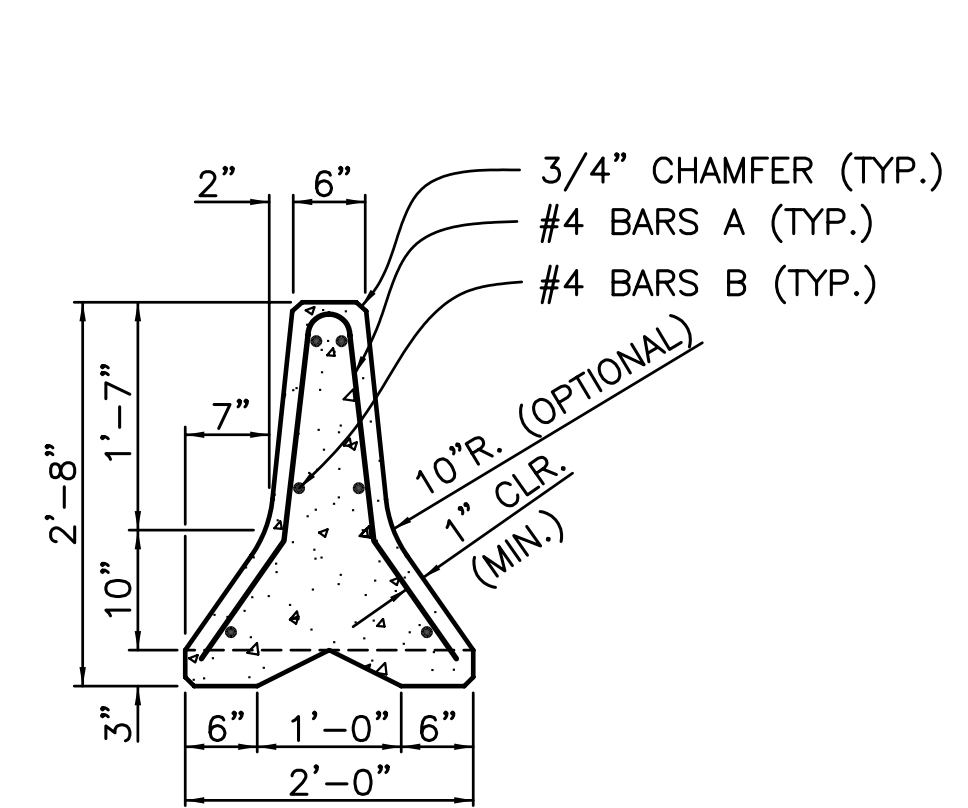
PROJECT NO.	SHEET



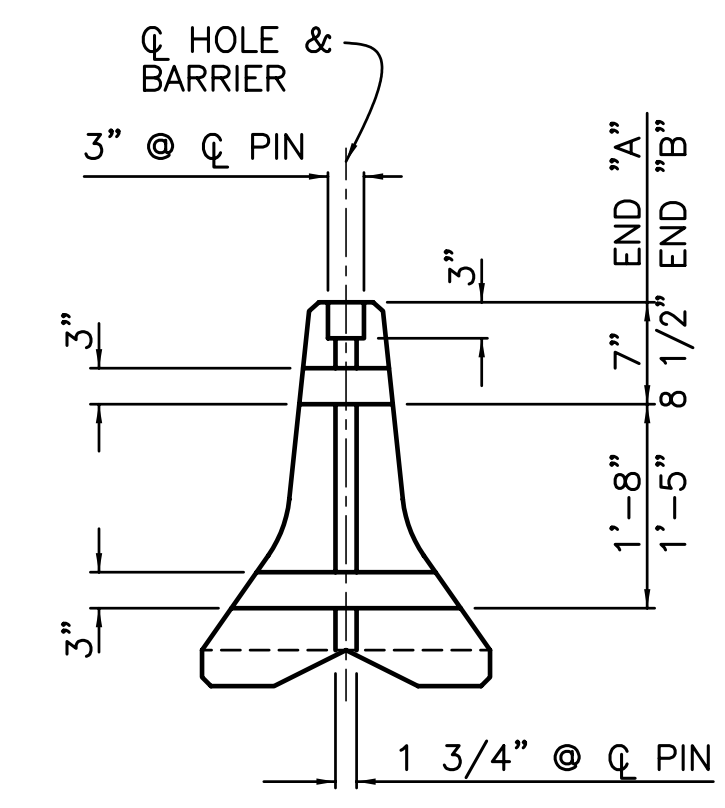
**ELEVATION**  
Scale: 3/4"=1'-0"



**PLAN**  
Scale: 3/4"=1'-0"



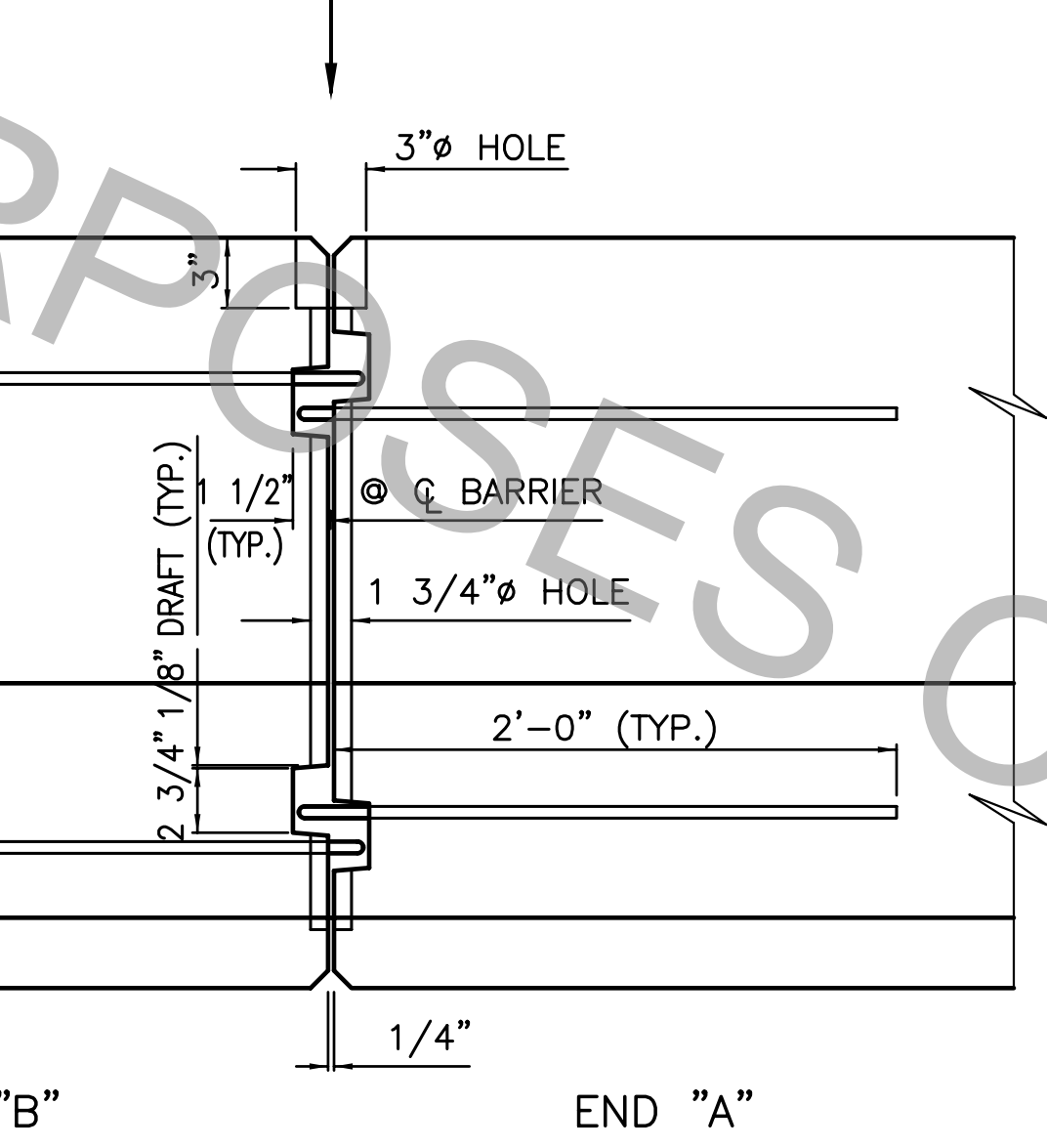
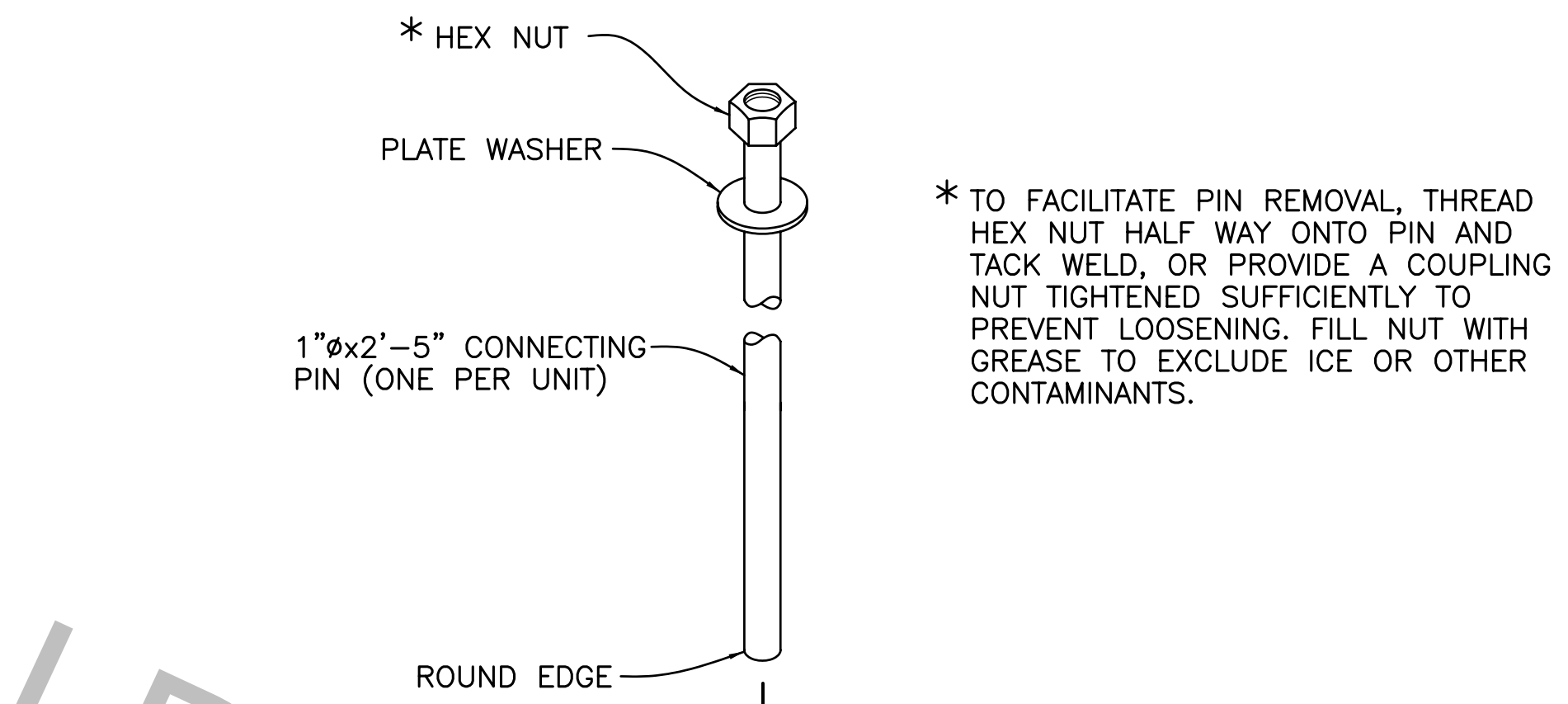
**SECTION A-A**  
Scale: 3/4"=1'-0"



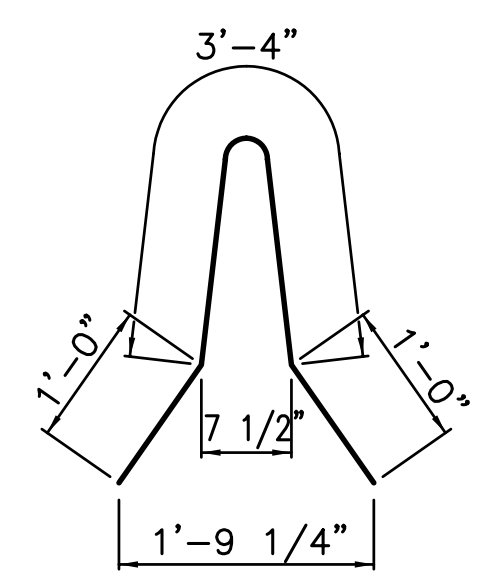
**END VIEW**  
Scale: 3/4"=1'-0"

ESTIMATED QUANTITIES	
DEFORMED REINFORCING STEEL	73 LBS.
CLASS 6A4000 CONCRETE	0.65 CU. YD.

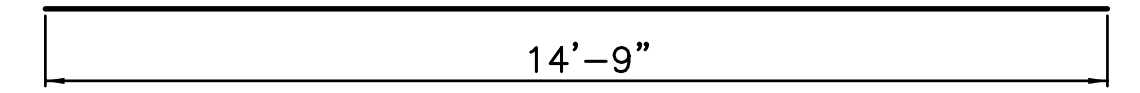
QUANTITIES SHOWN ARE FOR ESTIMATION PURPOSES ONLY. CONCRETE, DEFORMED REINFORCING STEEL, WIRE ROPE LOOPS, PICK-UPS, CONNECTING PINS, NUTS AND WASHERS ARE TO BE INCLUDED IN THE PRICE BID FOR ITEM 6010901 PRECAST CONCRETE BARRIER RAILING, PER EACH.



**CONNECTION DETAIL**  
Scale: 1 1/2"=1'-0"



**#4 BARS A**  
(3 1/2" Pin)  
(5'-4" Long)  
Scale: 3/4"=1'-0"

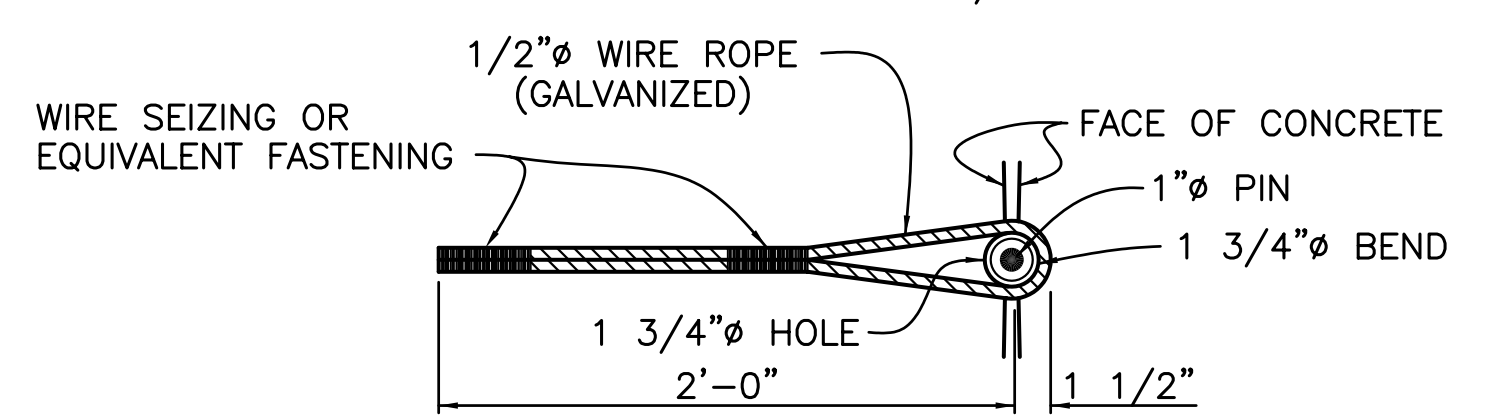


**#4 BARS B**  
Scale: 3/8"=1'-0"

**NOTES**

CONCRETE FOR PRECAST BARRIER RAILING SHALL BE CLASS 6A4000 AND SHALL RECEIVE A CLASS 2 APPLIED COATING FINISH. ADDITIONAL REINFORCING AS NECESSARY SHALL BE REQUIRED TO INSURE INTEGRITY OF THE PRECAST BARRIER DURING LIFTING AND PLACING OPERATIONS. LIFTING INSERT SHALL BE OF A TYPE TO RECEIVE A 1" x 5" COIL BOLT. EACH INSERT IS TO HAVE A MINIMUM LOAD CAPACITY OF 6000 POUNDS. AFTER REMOVAL FROM FORMS, UNITS SHALL BE LIFTED BY MEANS OF THESE INSERTS. PICK-UPS SHALL BE PROVIDED AS INDICATED ON THE BOTTOM OF THE BARRIER FOR REMOVAL OF UNIT FROM FORMS. (BARRIER WEIGHT = 3315 LBS.)

PRECAST UNITS SHALL BE HELD AT THE PLANT A MINIMUM OF 10 DAYS AFTER CASTING. UPON COMPLETION OF THE PROJECT THE CONTRACTOR SHALL REMOVE AND TRANSPORT THE BARRIER UNITS TO THE REQUIRED MAINTENANCE UNIT.



**WIRE ROPE LOOP DETAIL**  
Scale: 1 1/2"=1'-0"



DATE	DESCRIPTION REVISIONS	BY

STANDARD PLAN NO. 601-03	DATED FEBRUARY 18, 2008	SHEET NO. 2 OF 2
-----------------------------	----------------------------	---------------------

**TEMPORARY PRECAST CONCRETE RAILING END SECTION**

ENGINEERING DIVISION DEPARTMENT OF PUBLIC WORKS CITY OF BATON ROUGE & PARISH OF EAST BATON ROUGE			
DESIGNED R. ELLIS	DRAWN G. VANNICE	CHECKED R. ELLIS	APPROVED B. HARMON

ENGINEERING ACCOUNTS STYLAX FORM 6-V