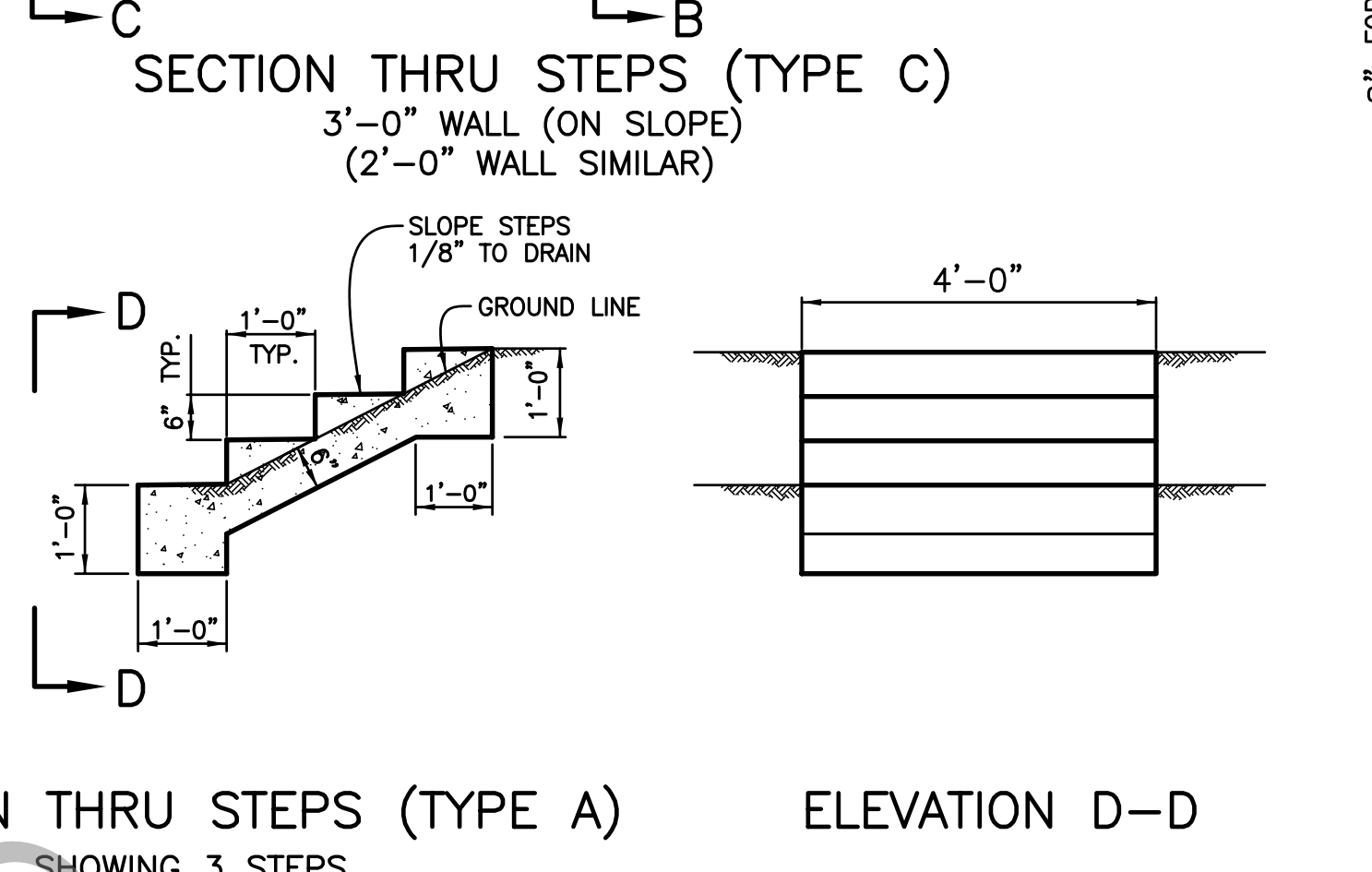
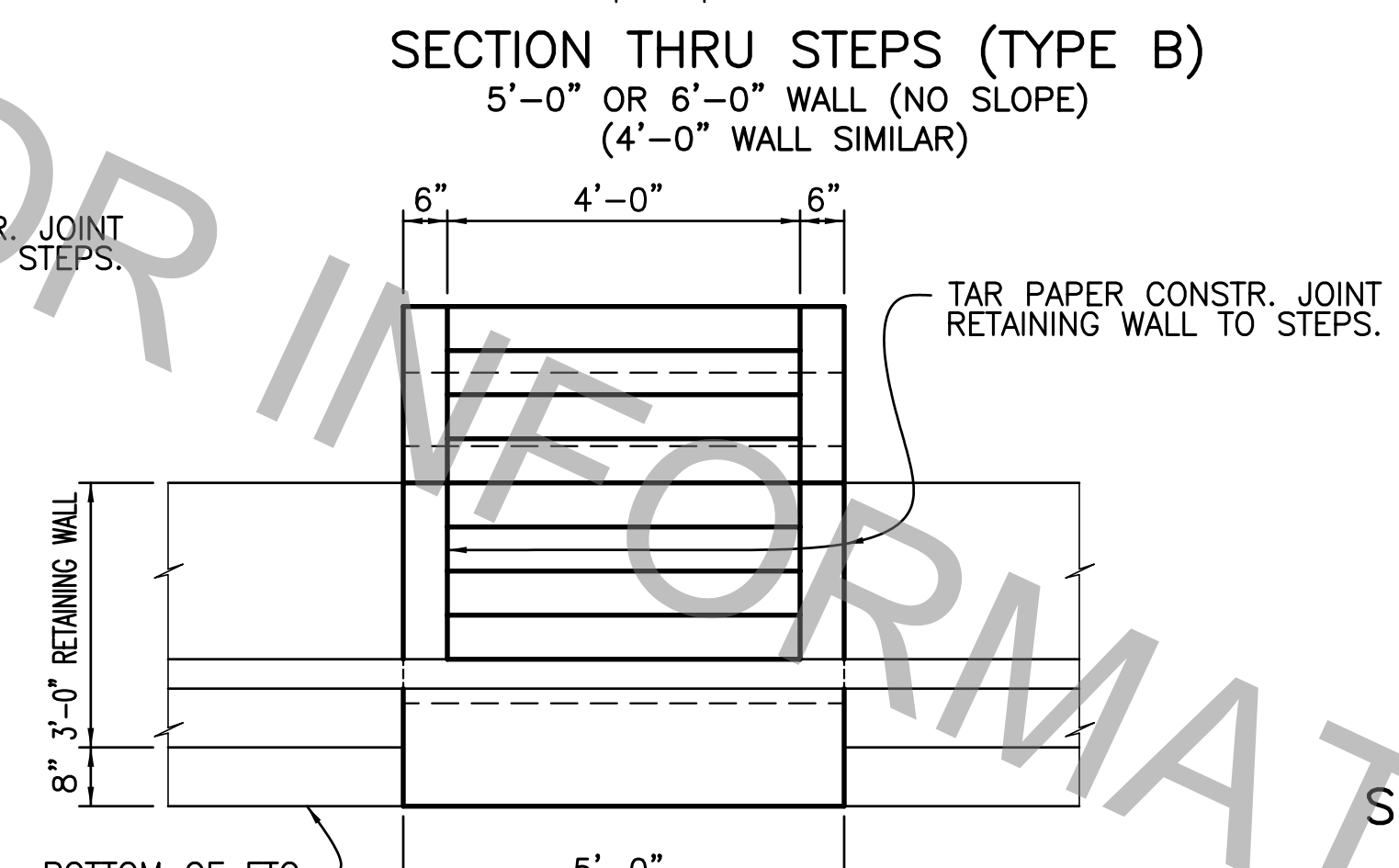
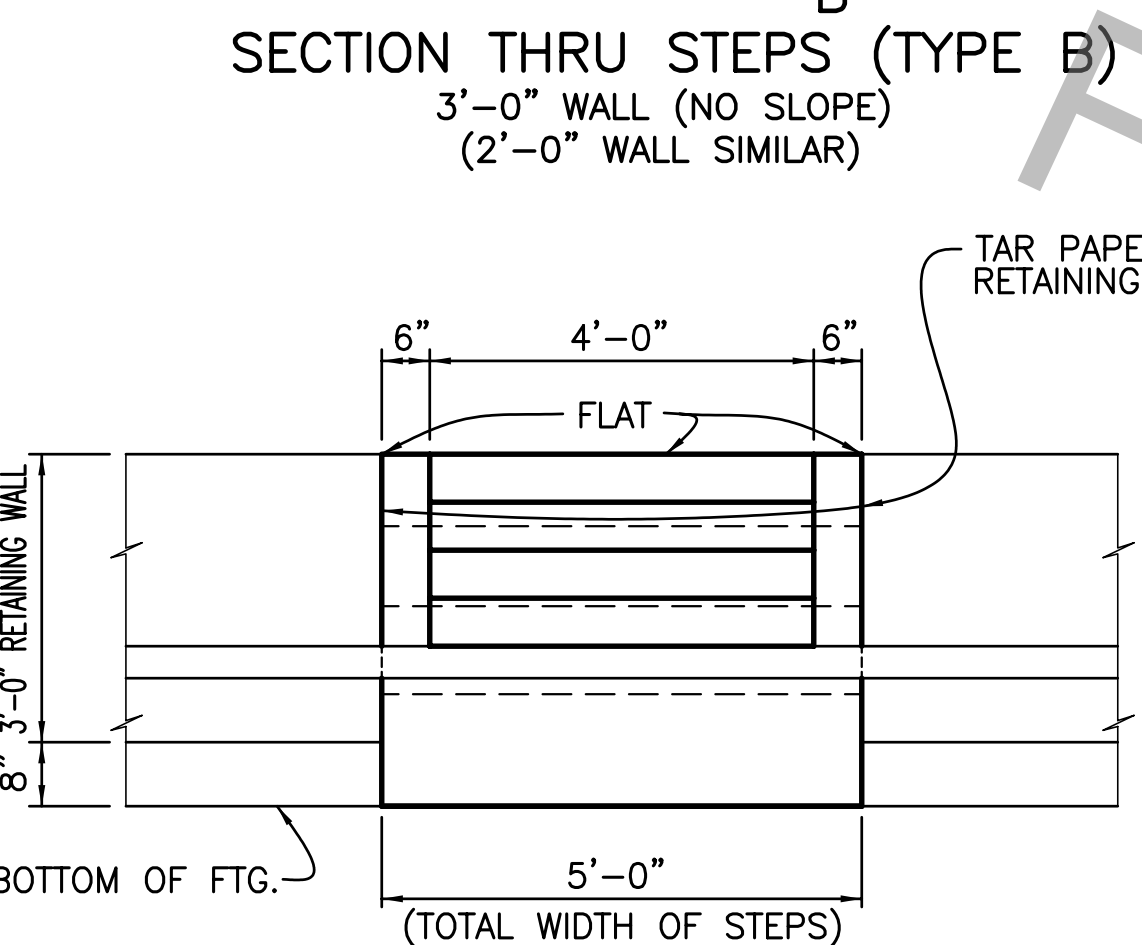
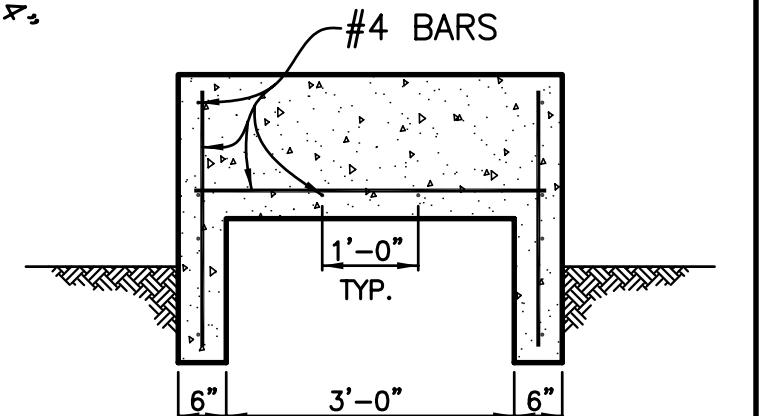
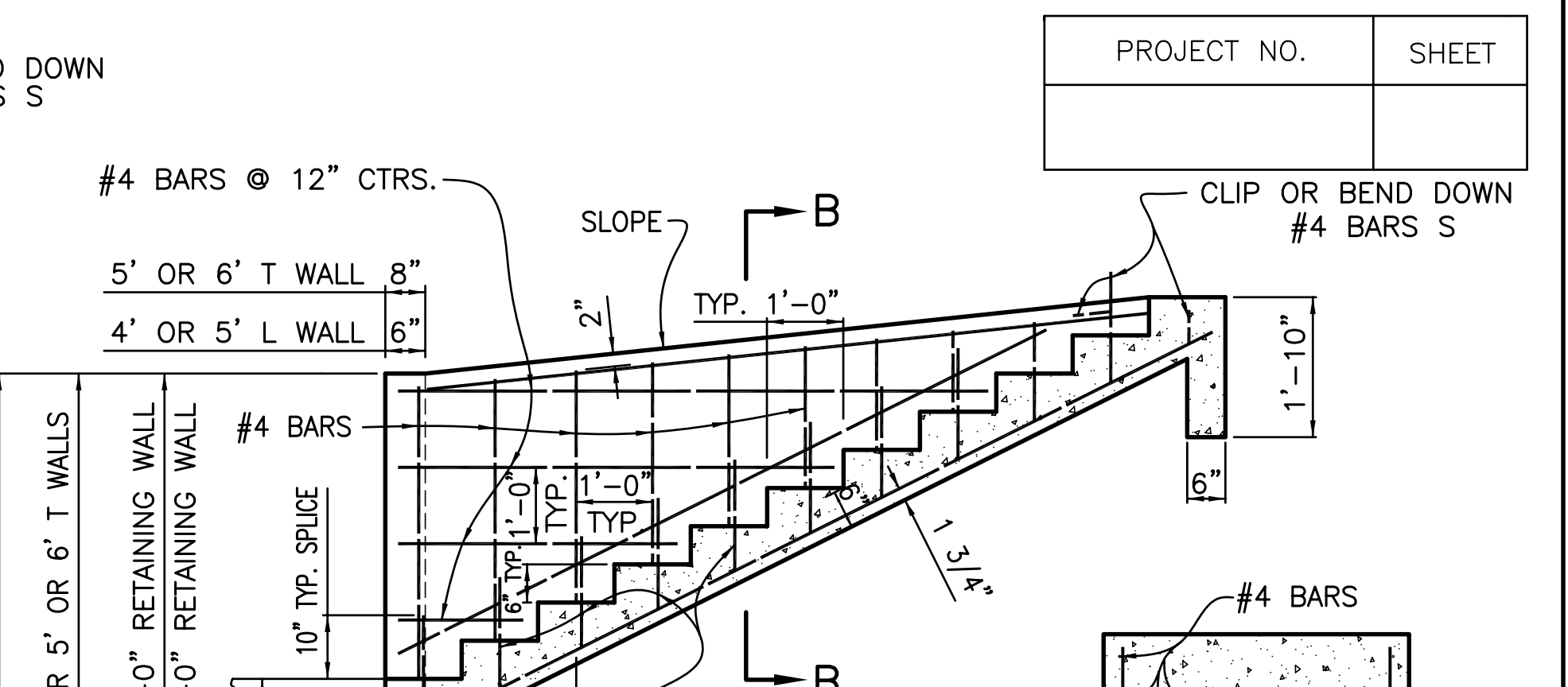
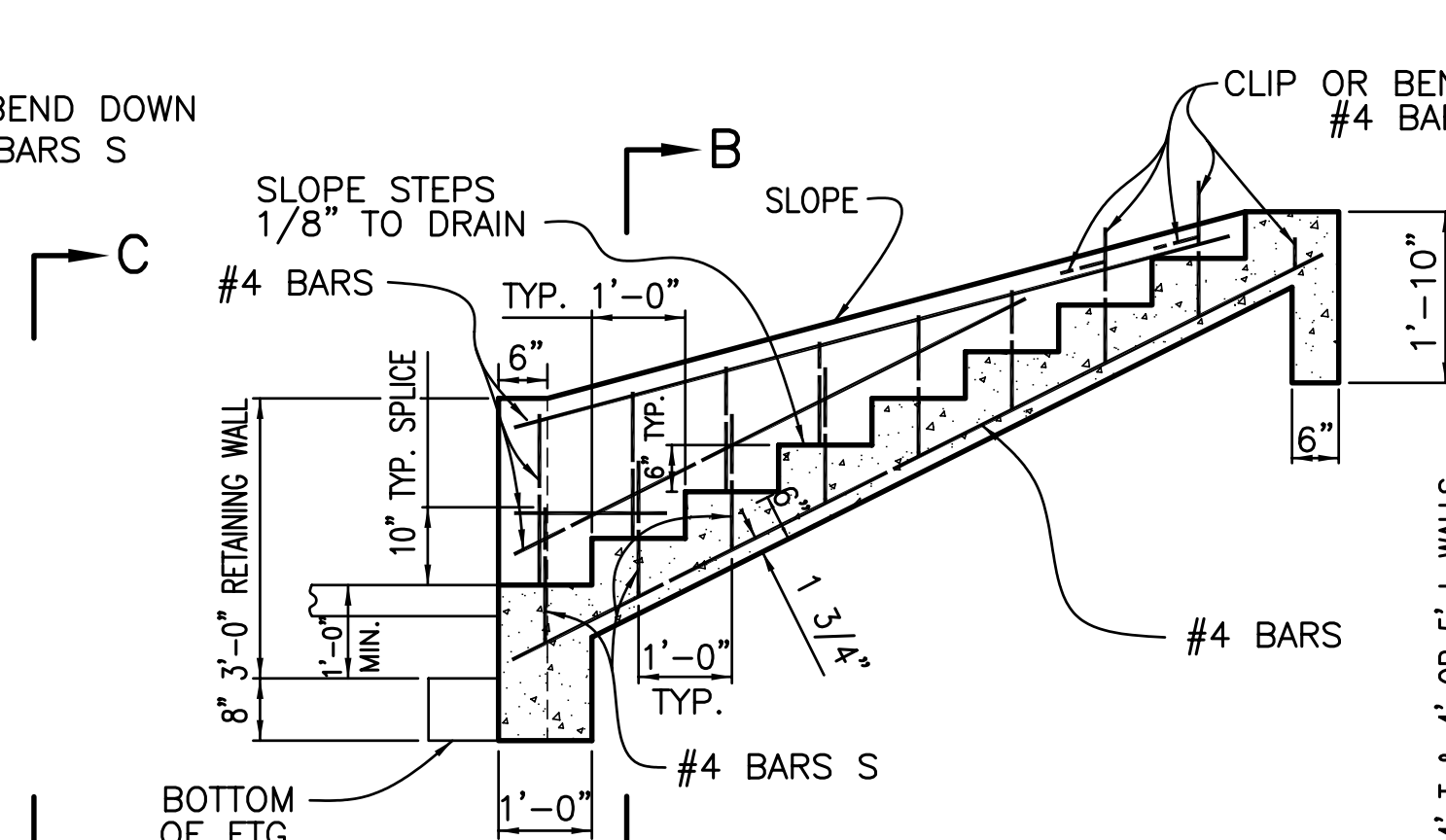
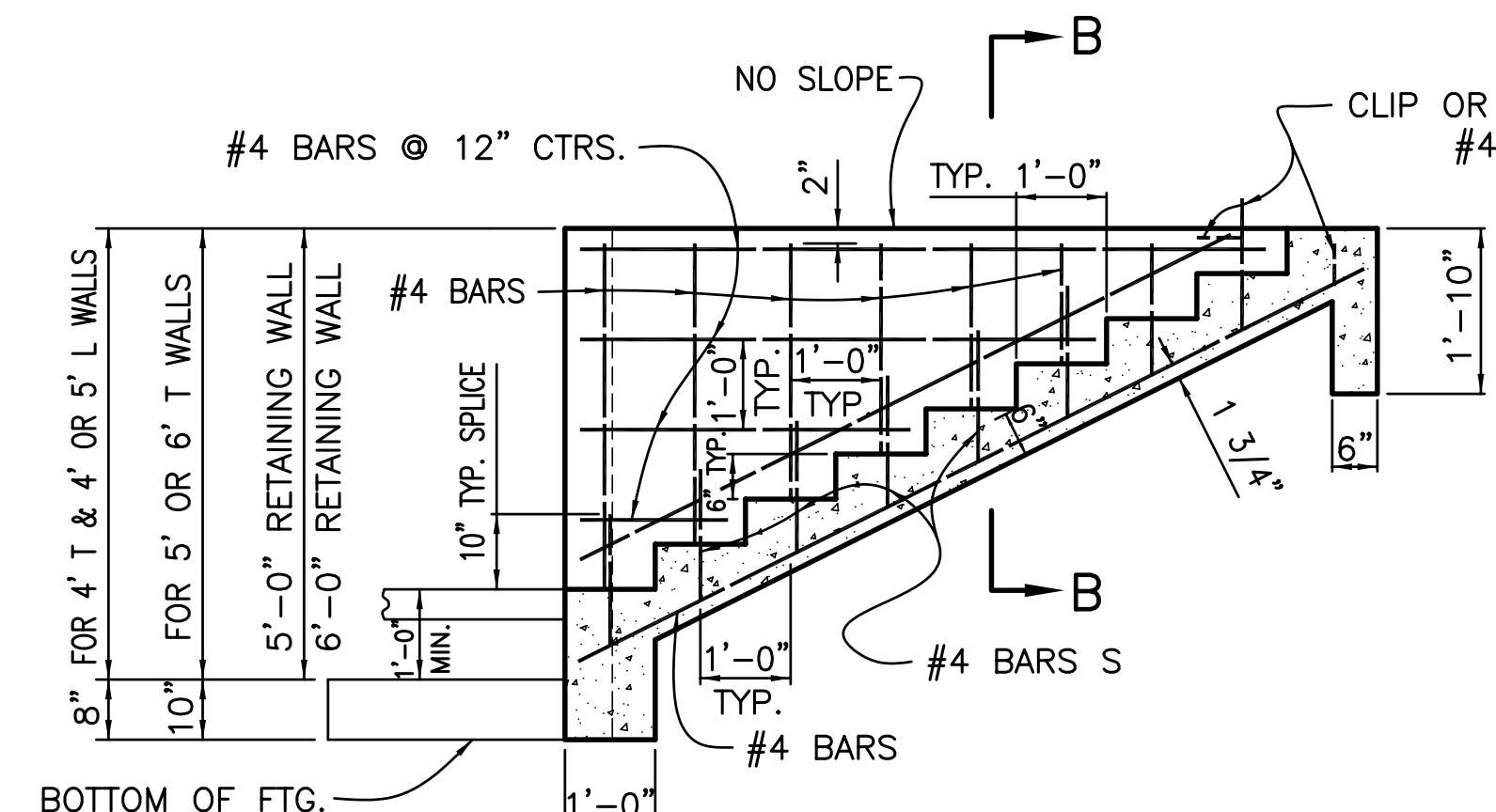
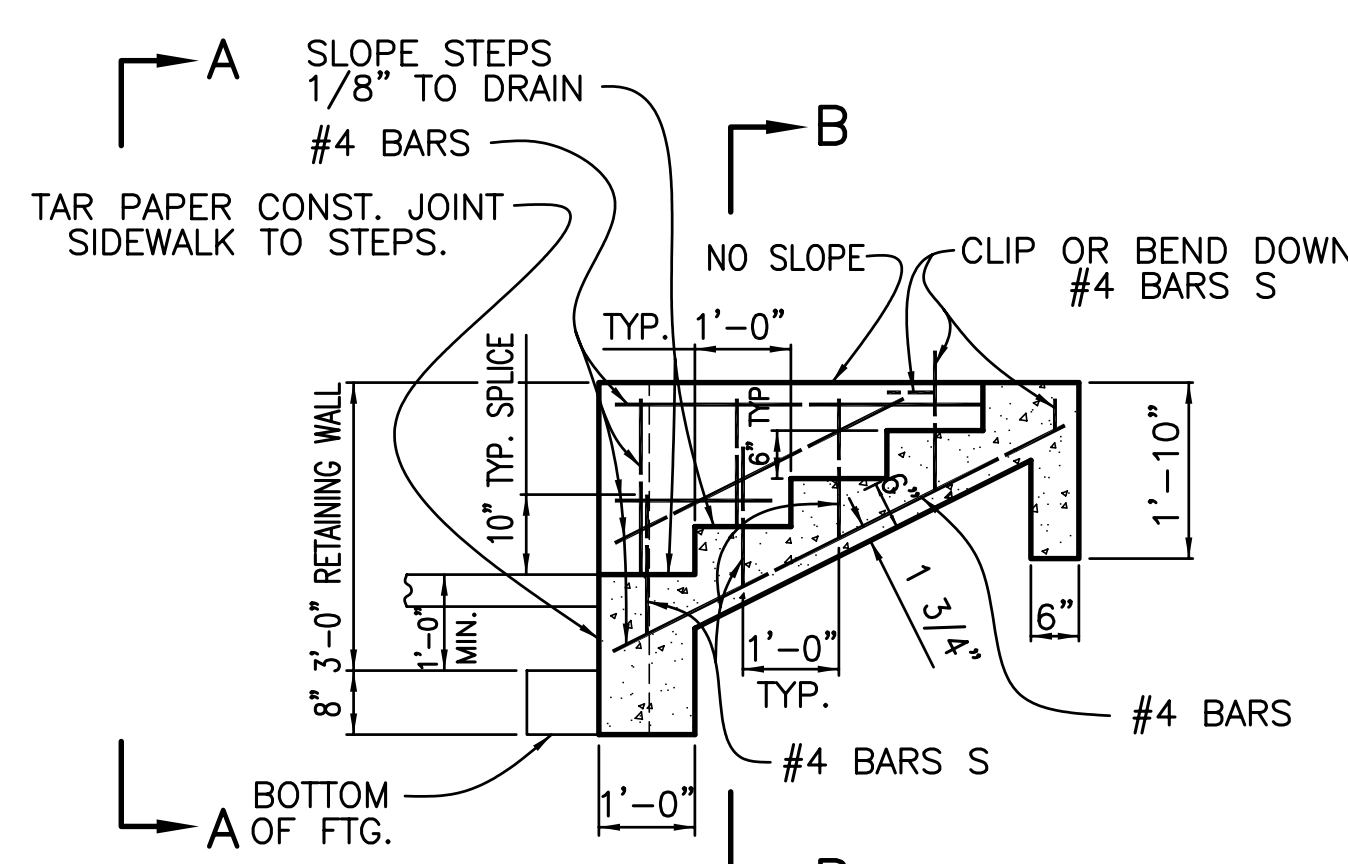
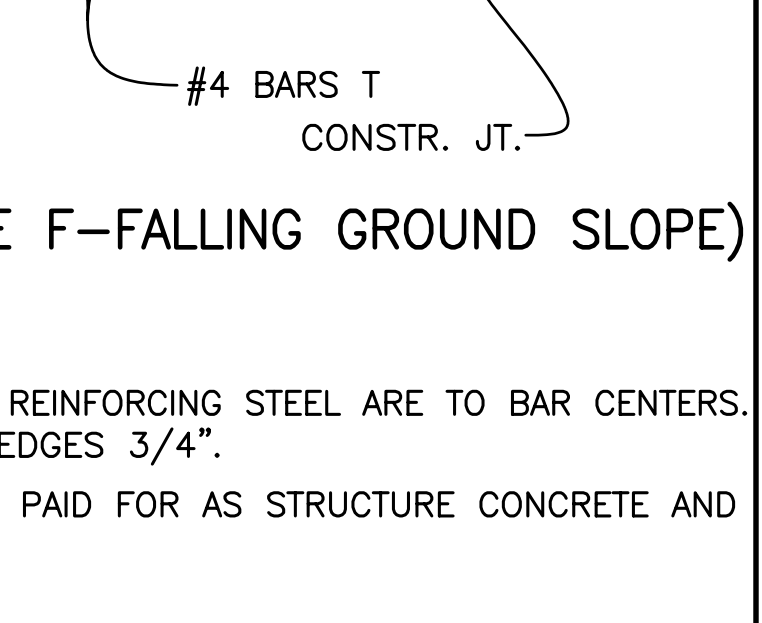
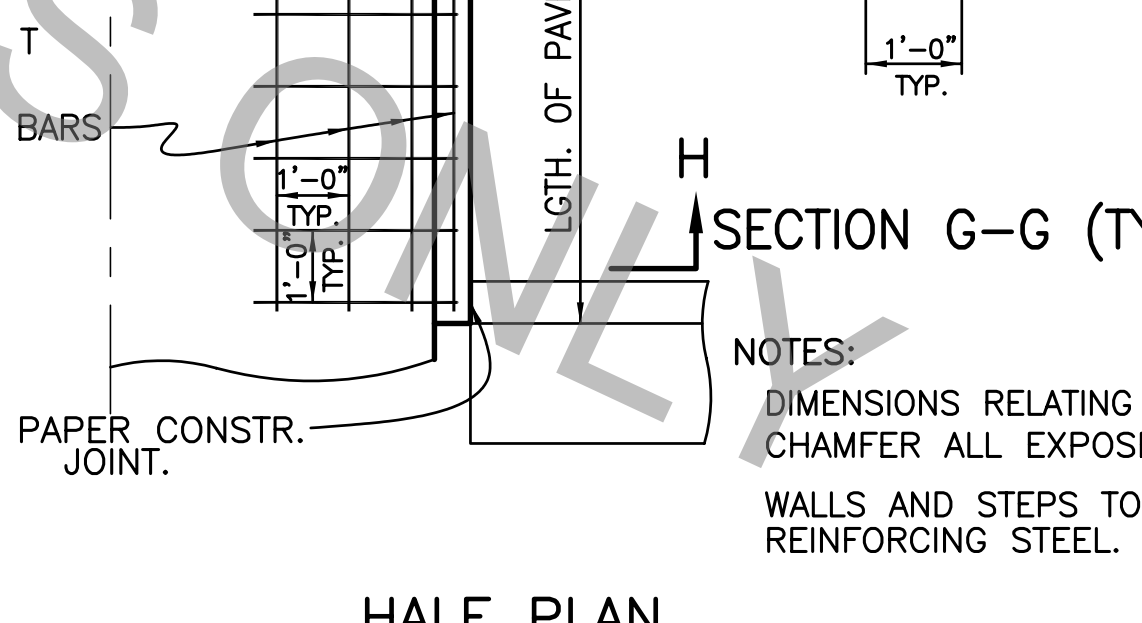
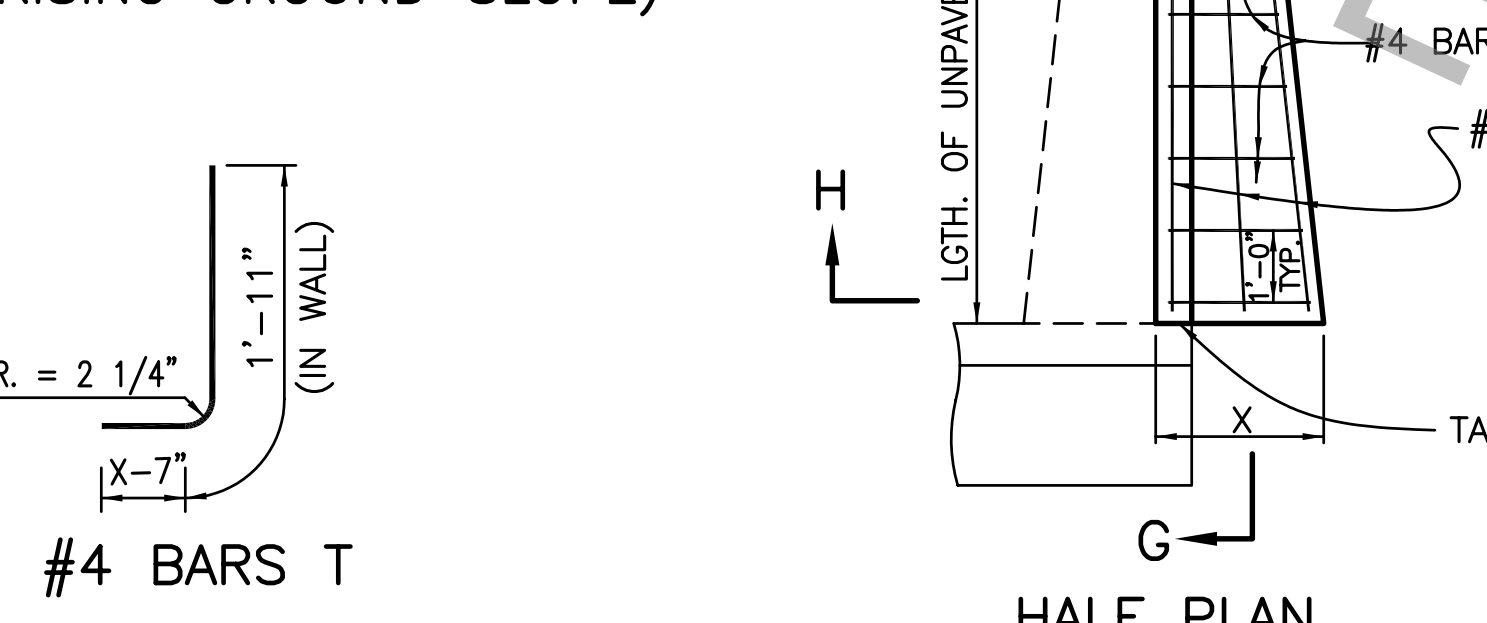
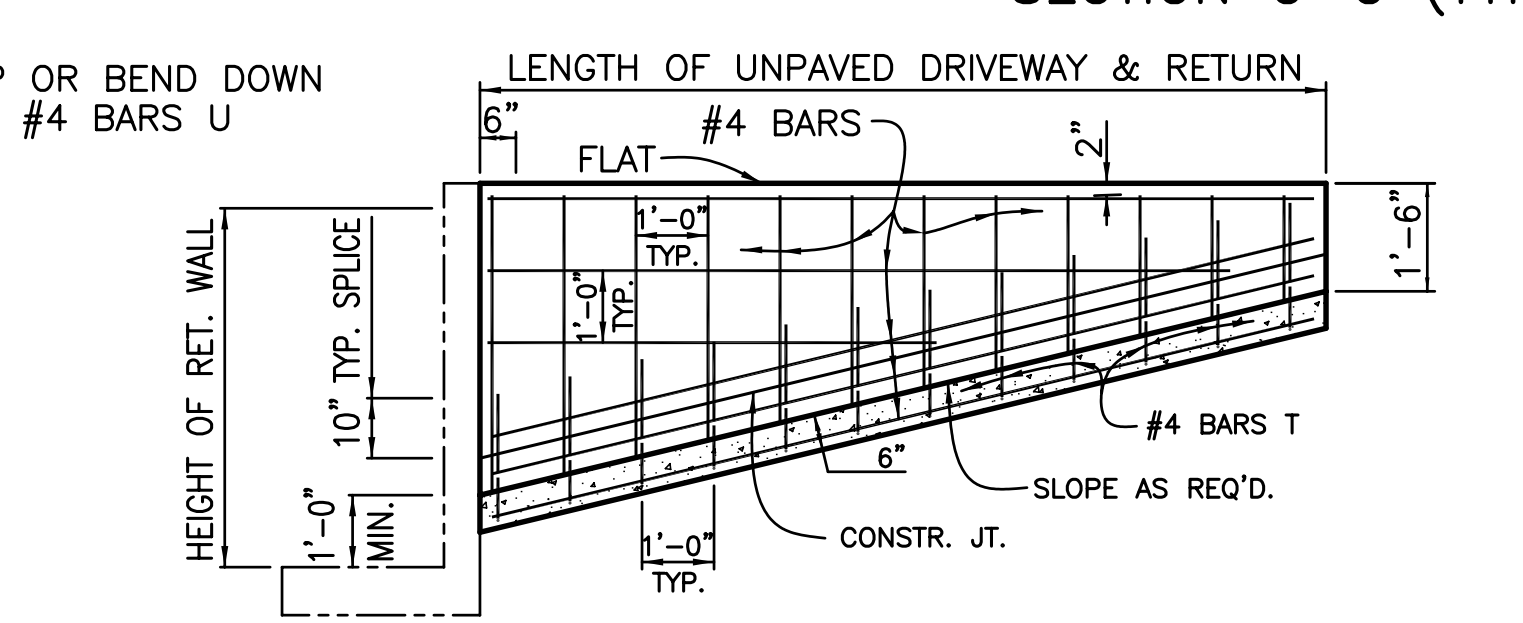
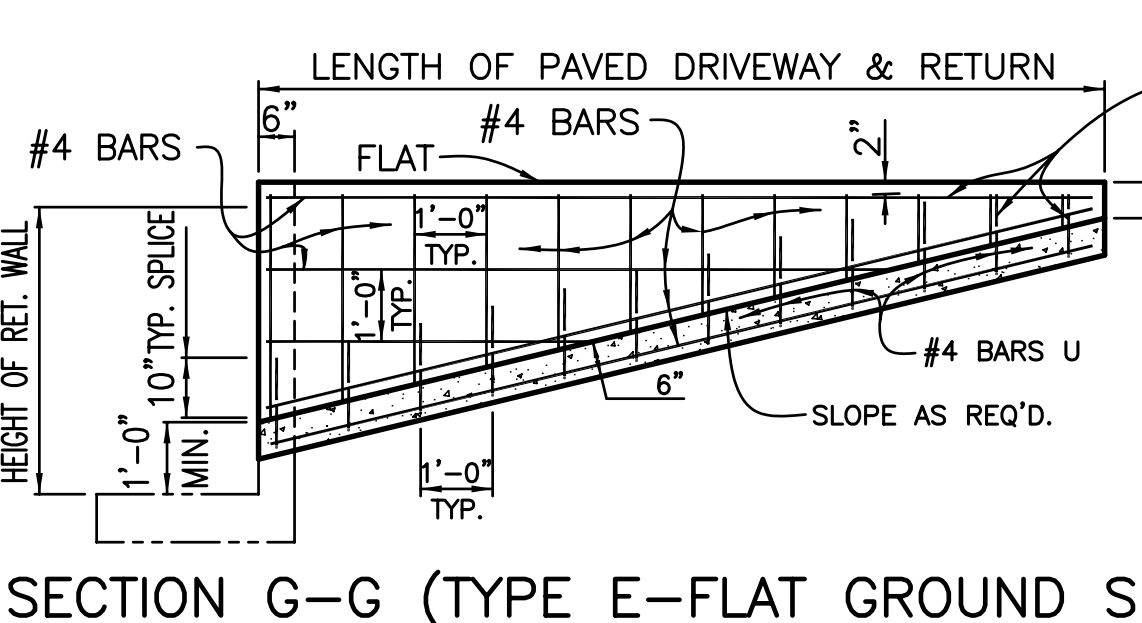
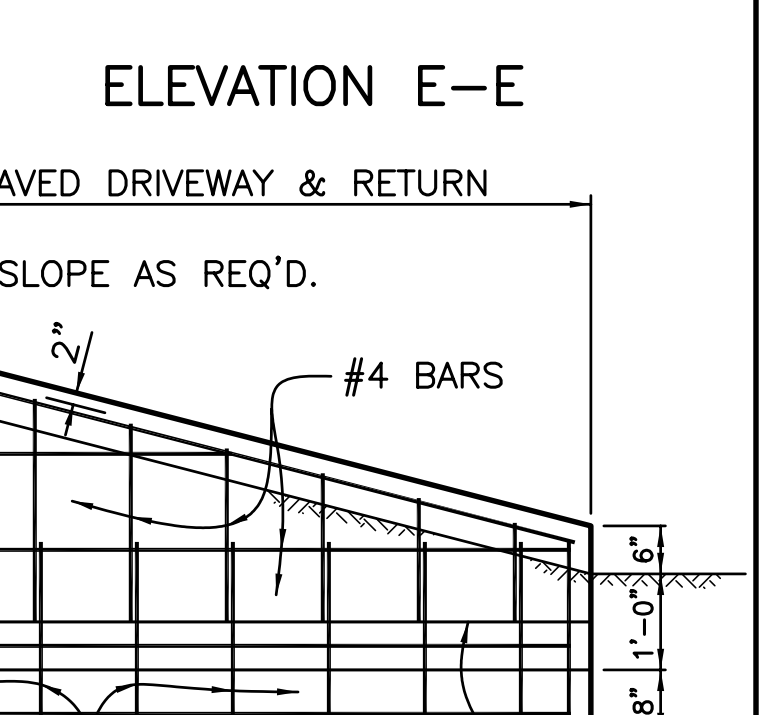
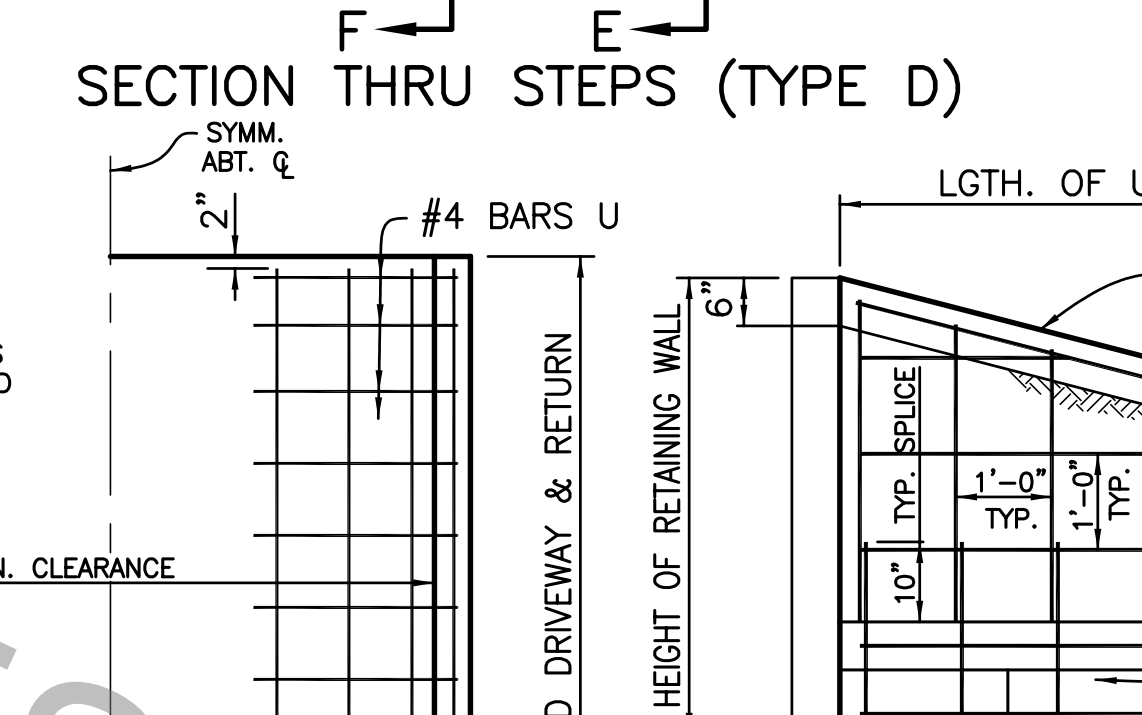
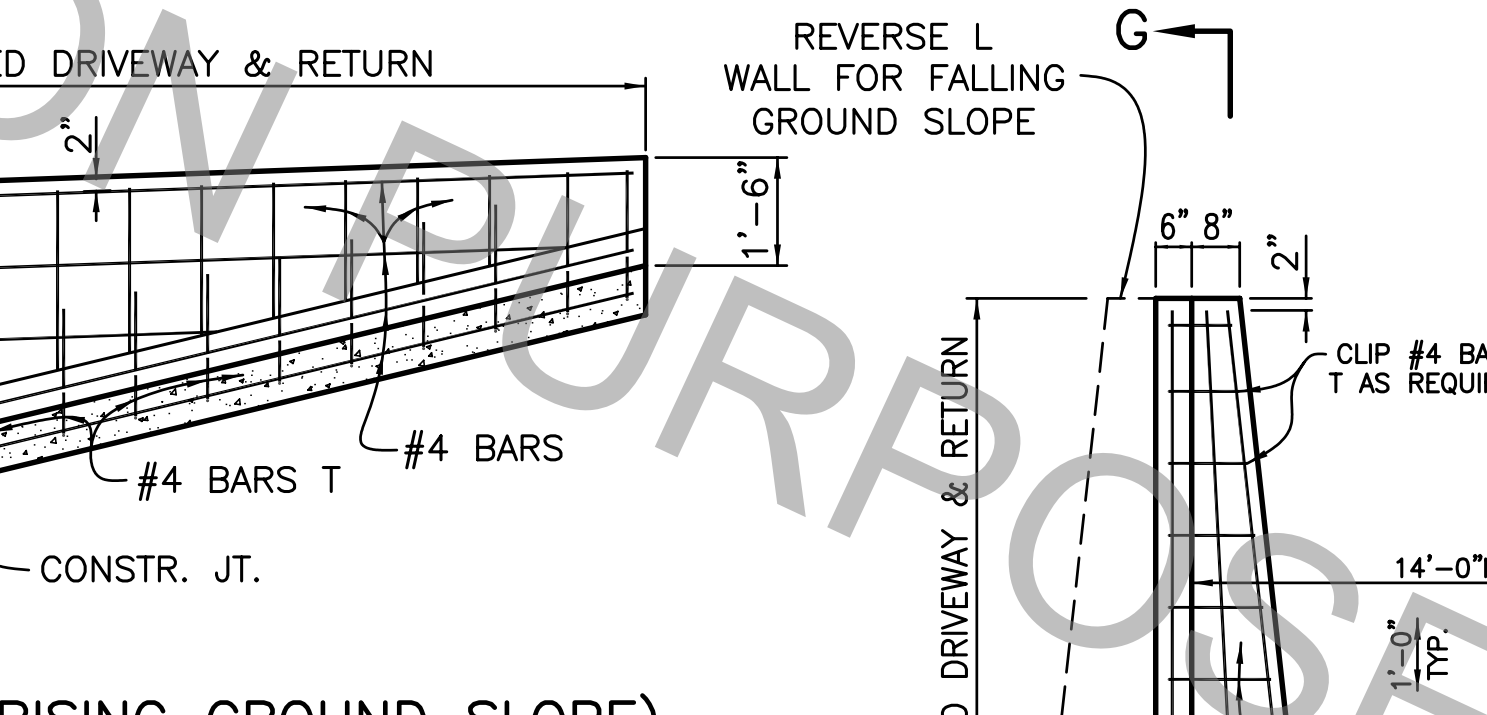
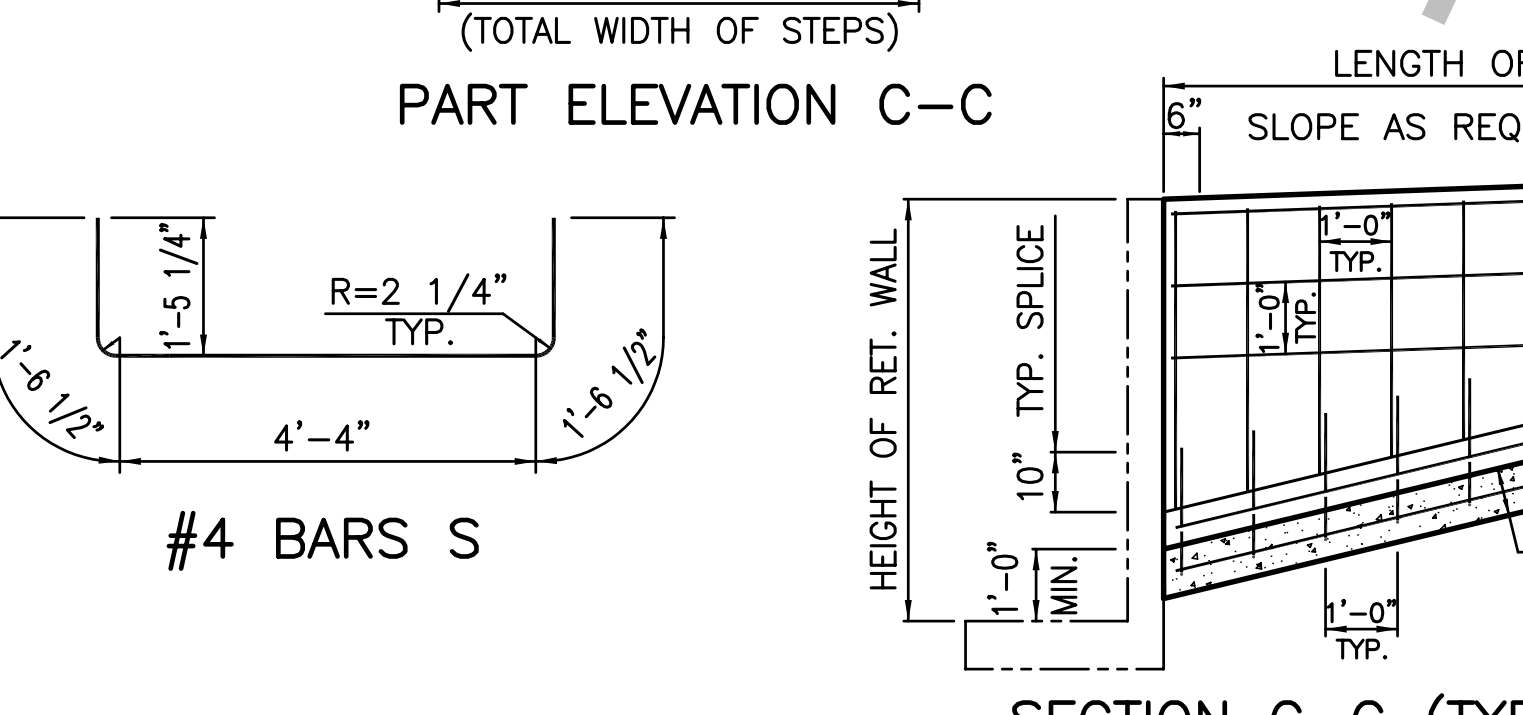
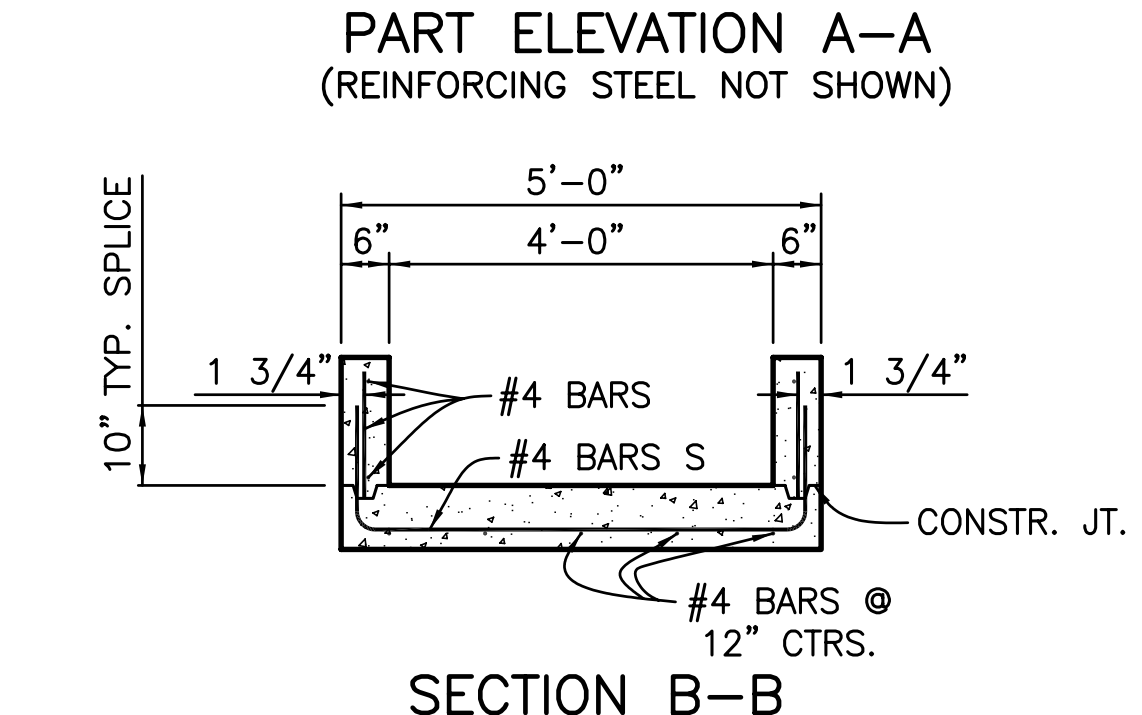
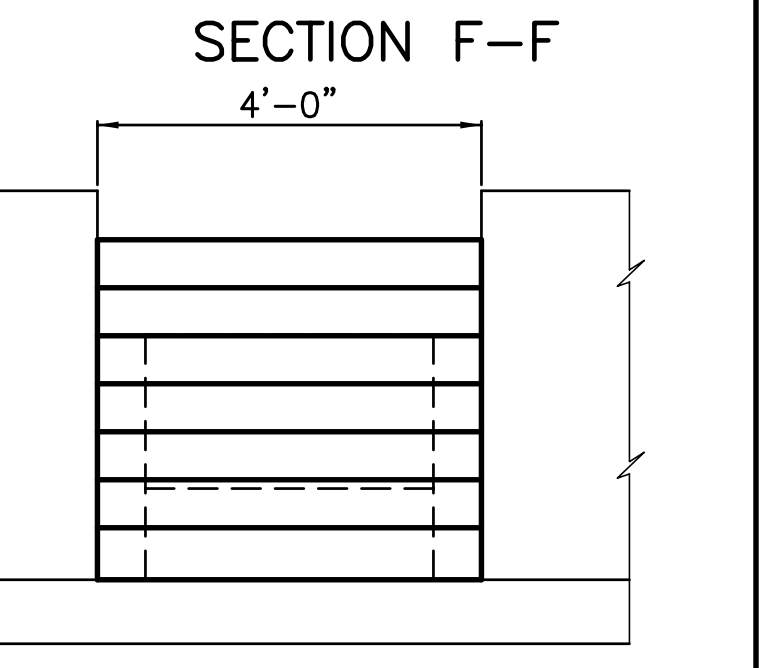
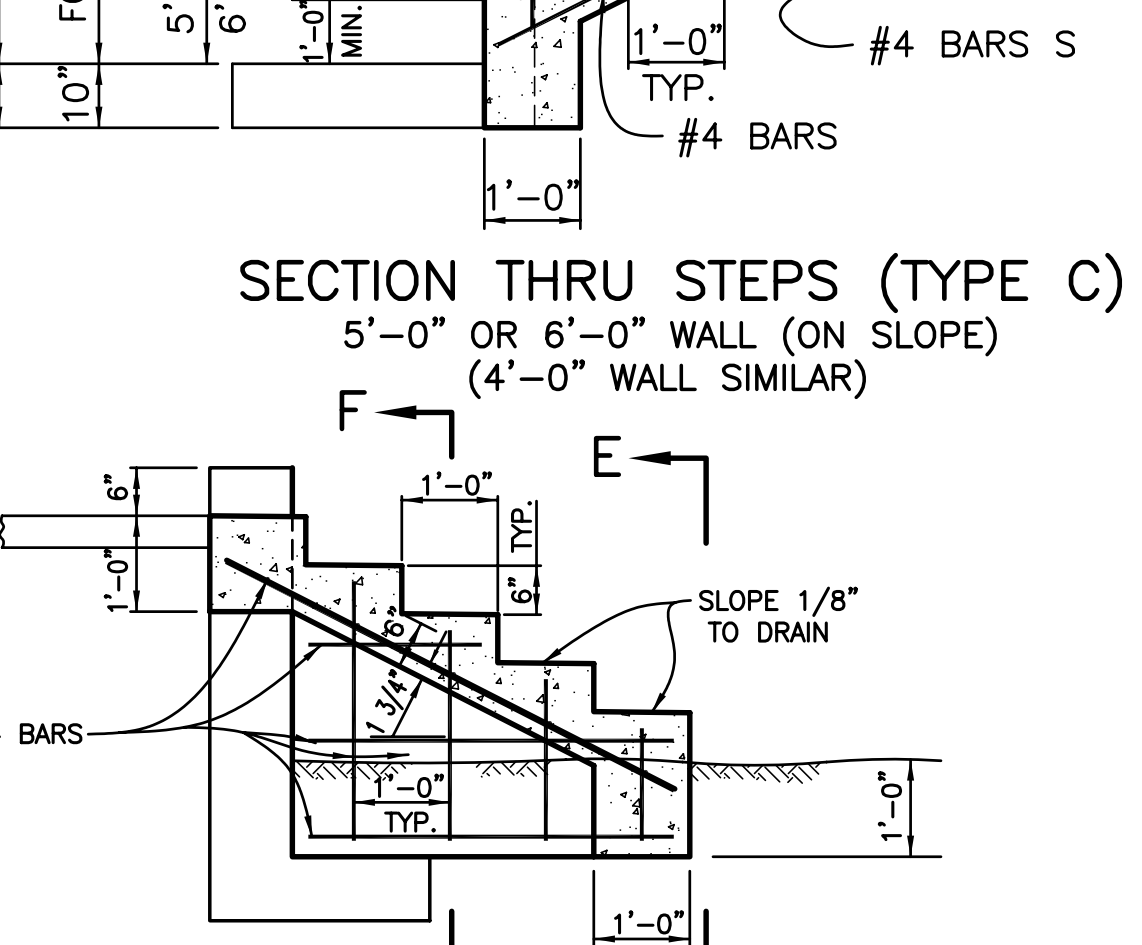


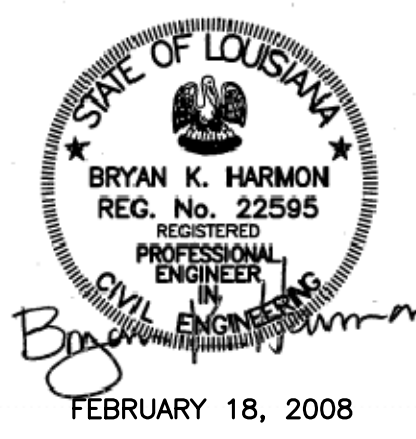
PROJECT NO.	SHEET



ELEVATION D-D



NOTES:
 DIMENSIONS RELATING TO REINFORCING STEEL ARE TO BAR CENTERS.
 CHAMFER ALL EXPOSED EDGES 3/4".
 WALLS AND STEPS TO BE PAID FOR AS STRUCTURE CONCRETE AND REINFORCING STEEL.



STANDARD PLAN NO. 601-02	DATED FEBRUARY 18, 2008	SHEET NO. 1 OF 1
-----------------------------	----------------------------	---------------------

STEPS AND RETAINING WALL DETAILS			
ENGINEERING DIVISION DEPARTMENT OF PUBLIC WORKS CITY OF BATON ROUGE & PARISH OF EAST BATON ROUGE			
DESIGNED R. ELLIS	DRAWN G. VANNICE	CHECKED R. ELLIS	APPROVED B. HARMON

DATE	DESCRIPTION REVISIONS	BY

ENGINEERING JACOBS STALAY FORM 6-11