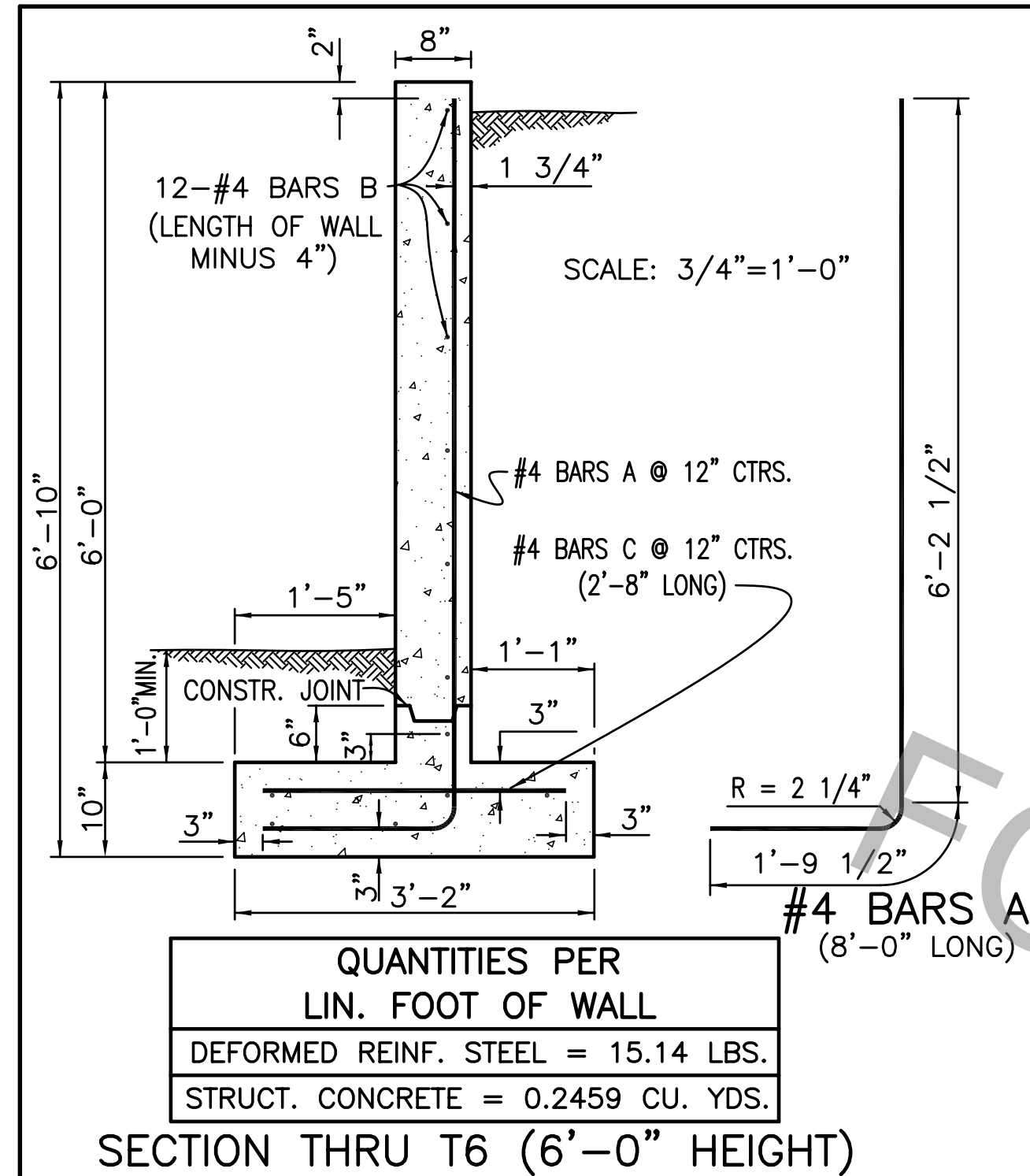
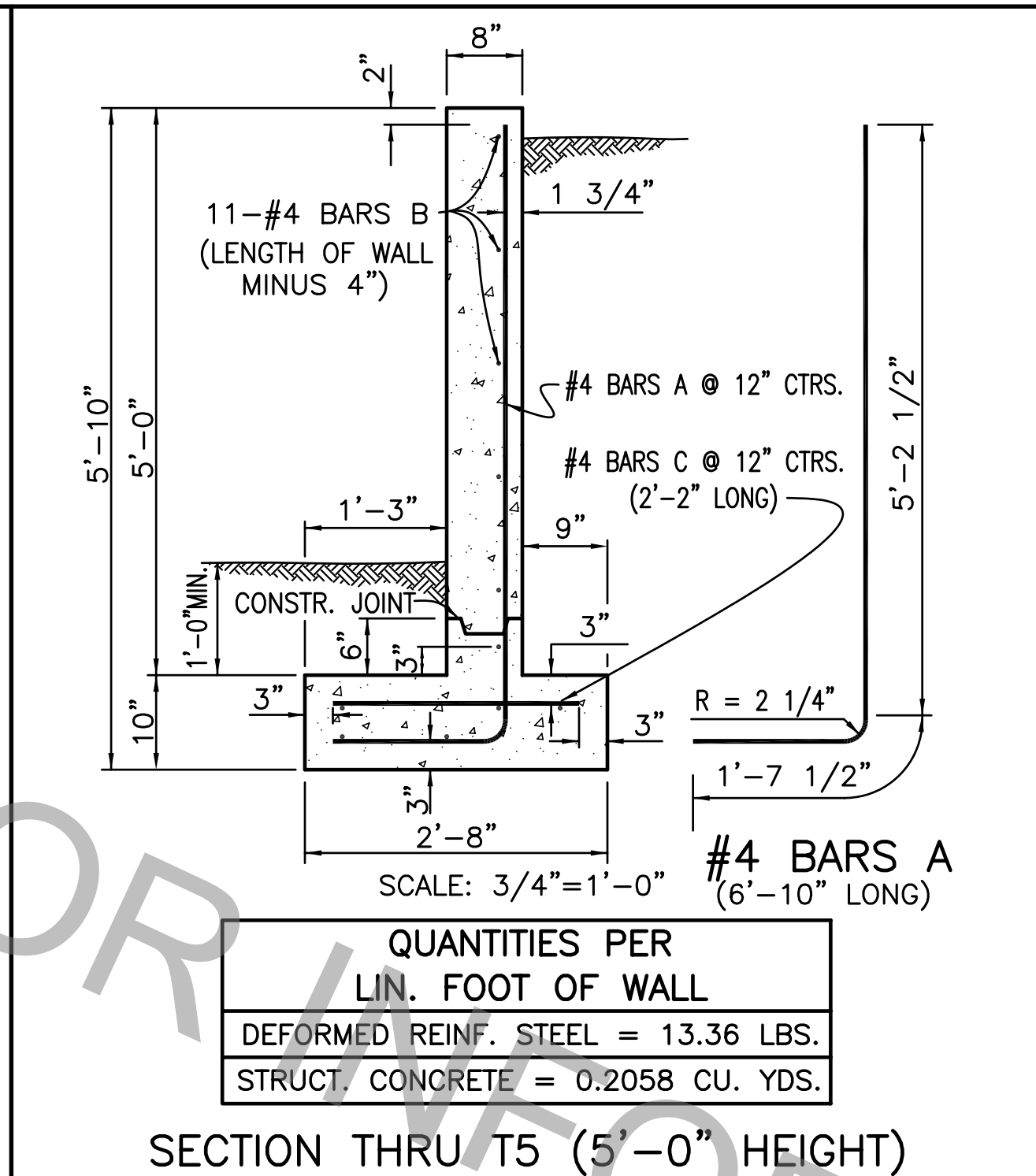


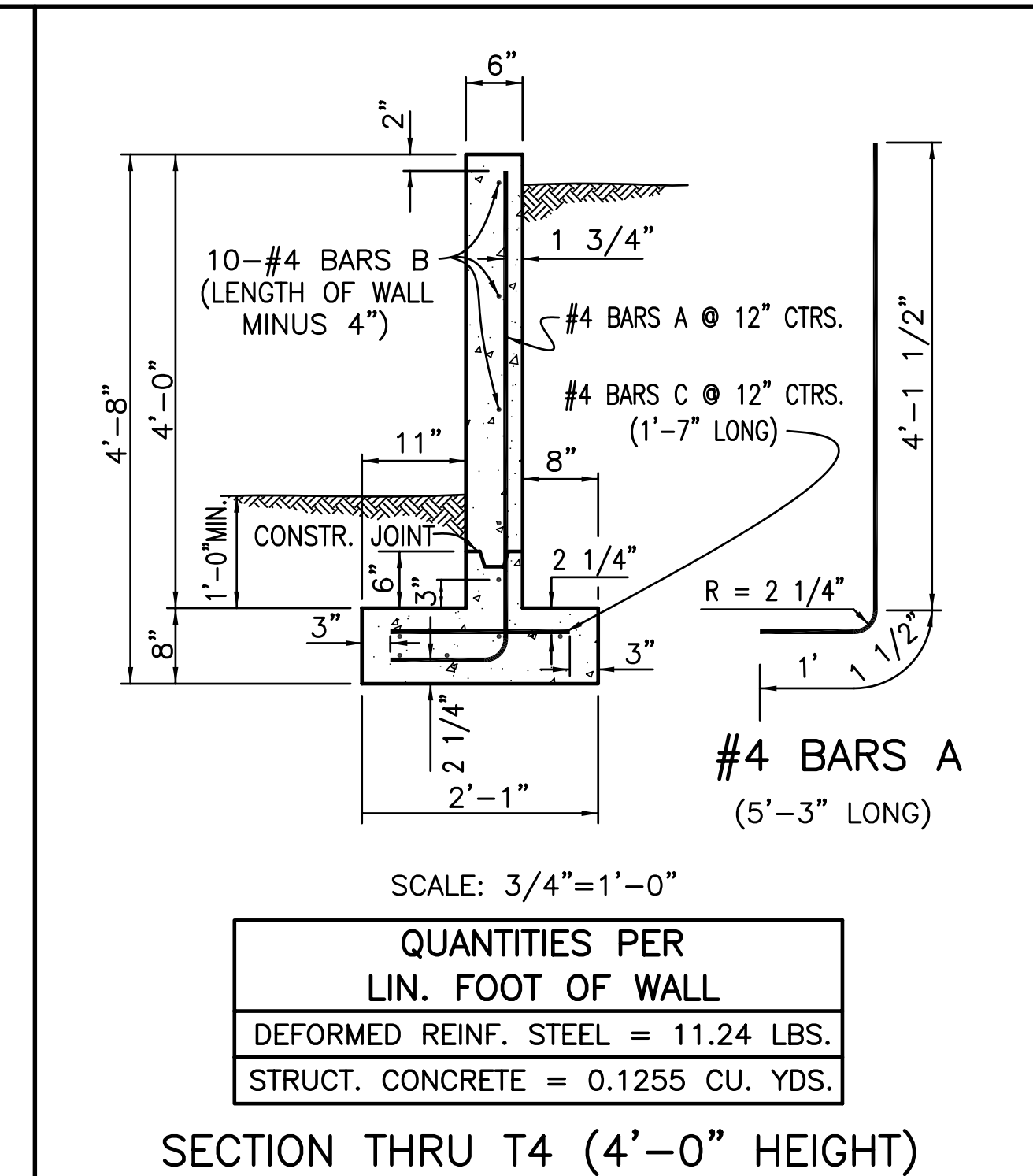
PROJECT NO.	SHEET



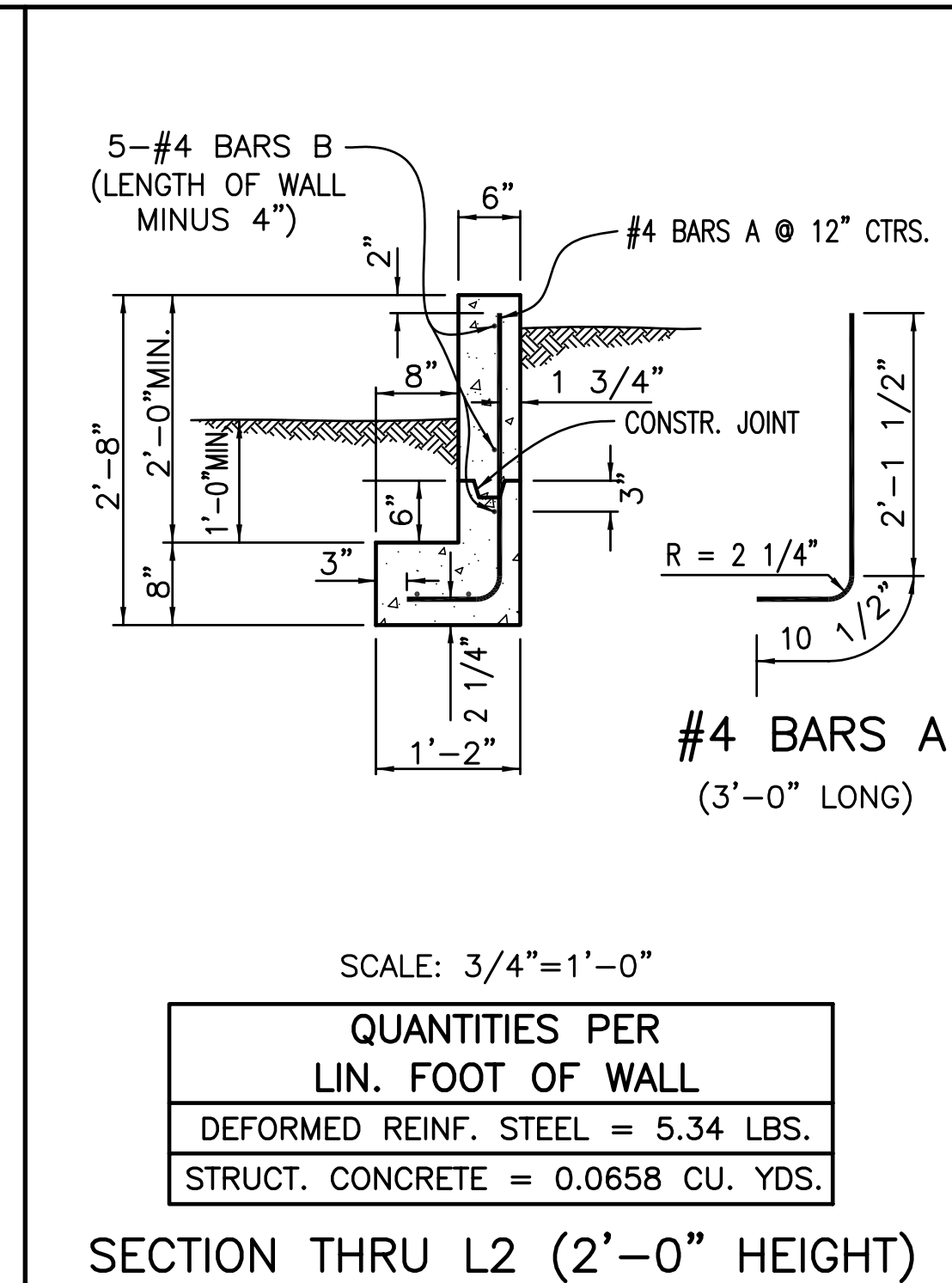
QUANTITIES PER LIN. FOOT OF WALL
DEFORMED REINF. STEEL = 15.14 LBS.
STRUCT. CONCRETE = 0.2459 CU. YDS.



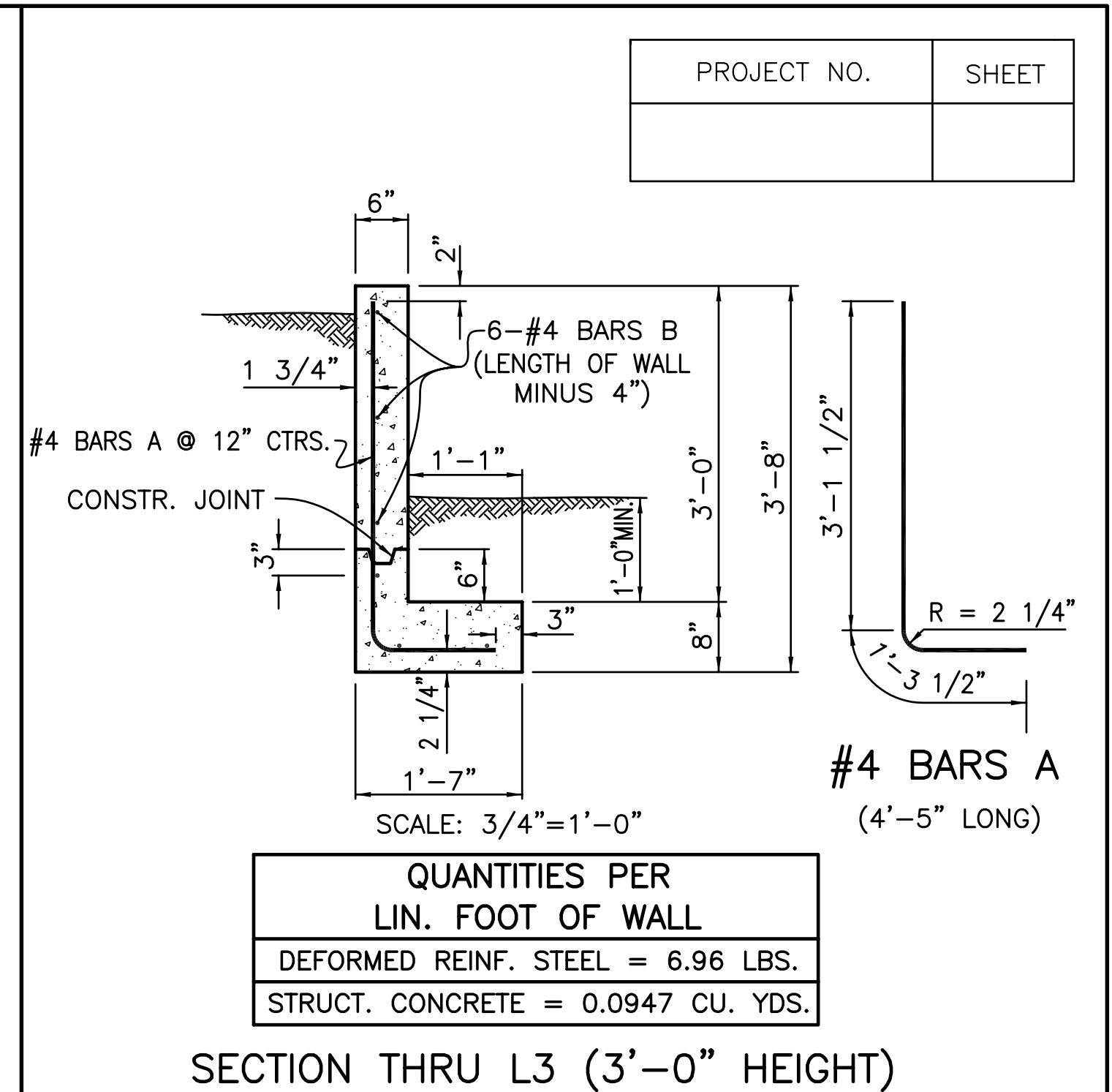
QUANTITIES PER LIN. FOOT OF WALL
DEFORMED REINF. STEEL = 13.36 LBS.
STRUCT. CONCRETE = 0.2058 CU. YDS.



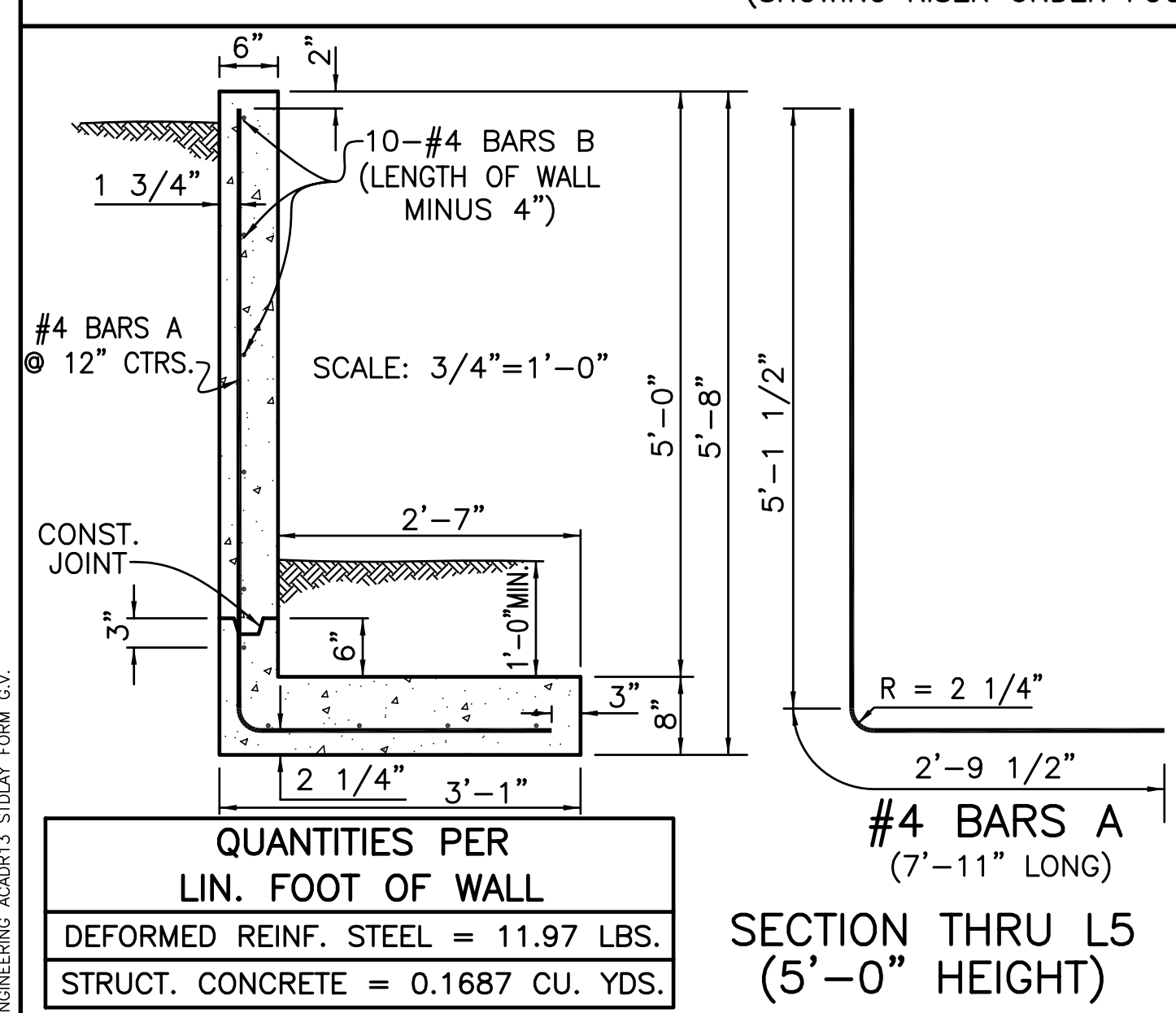
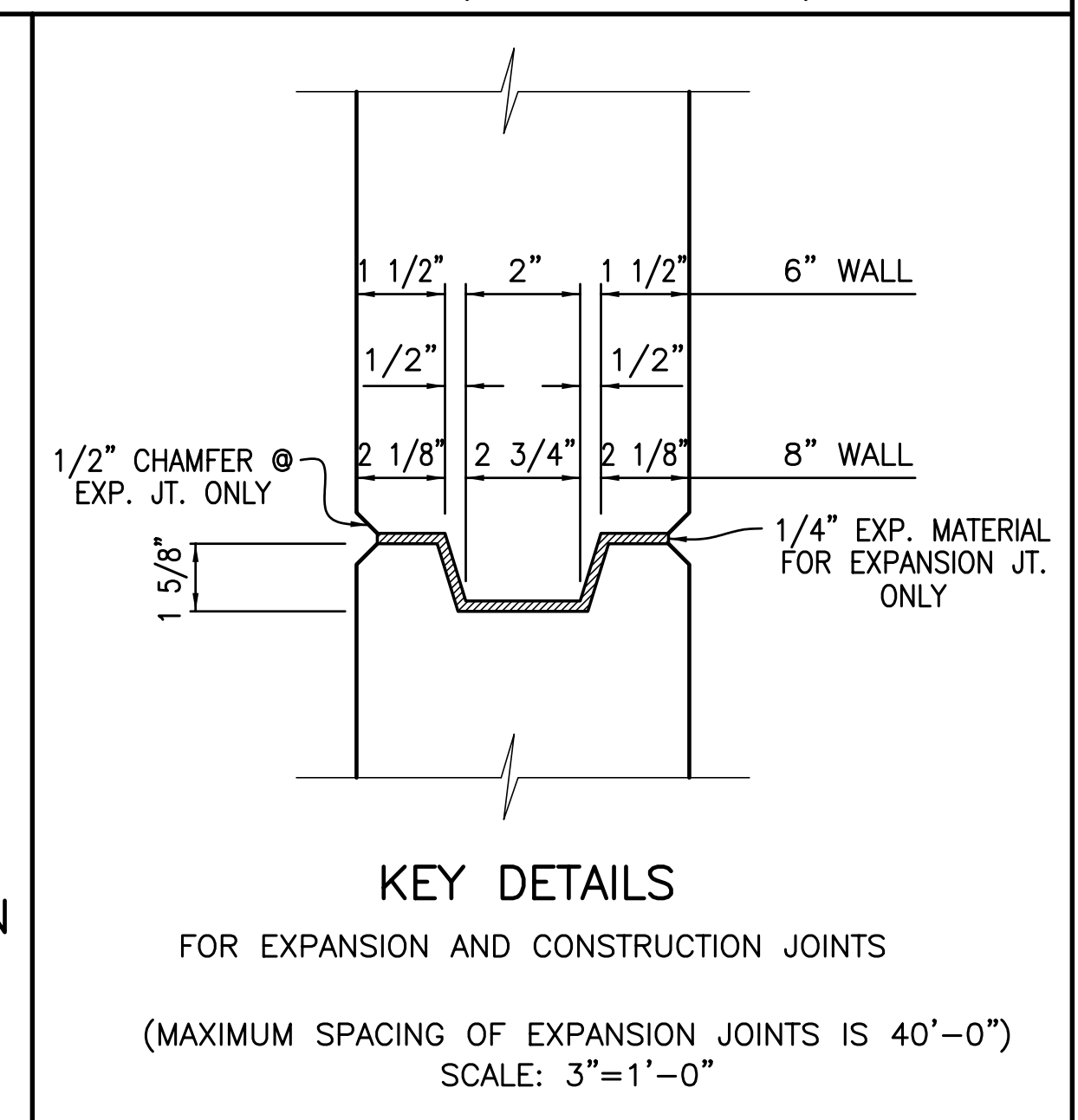
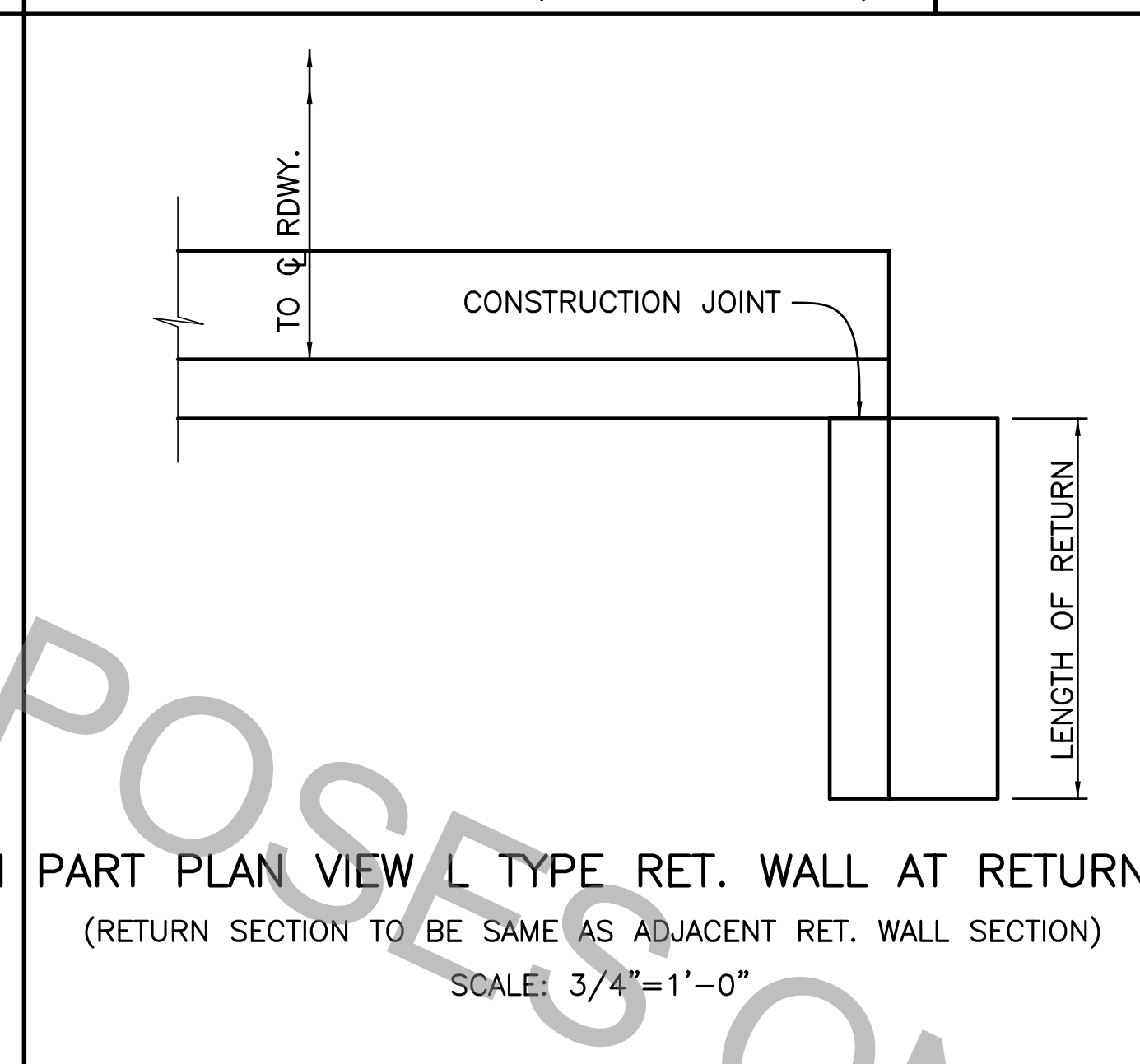
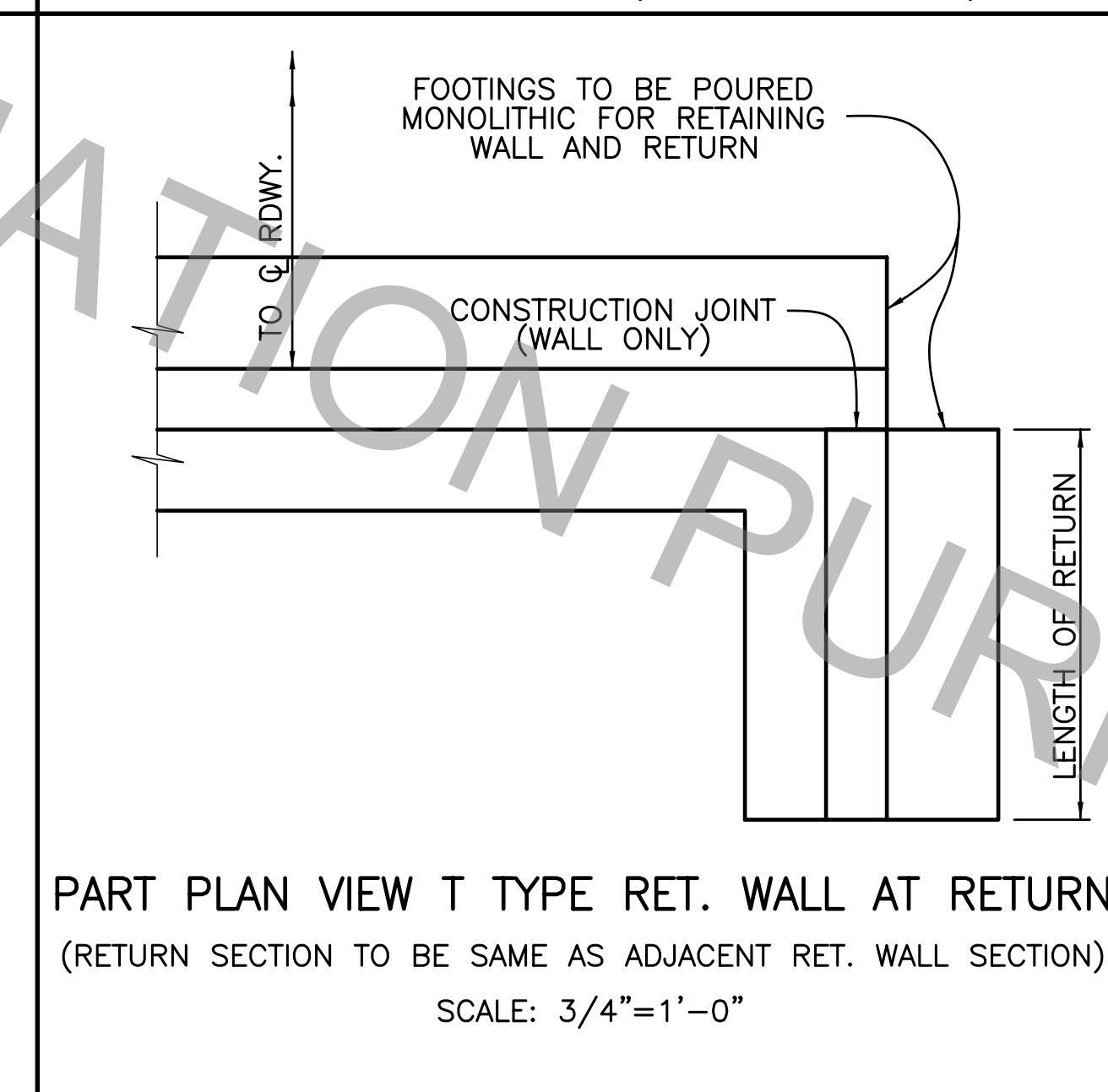
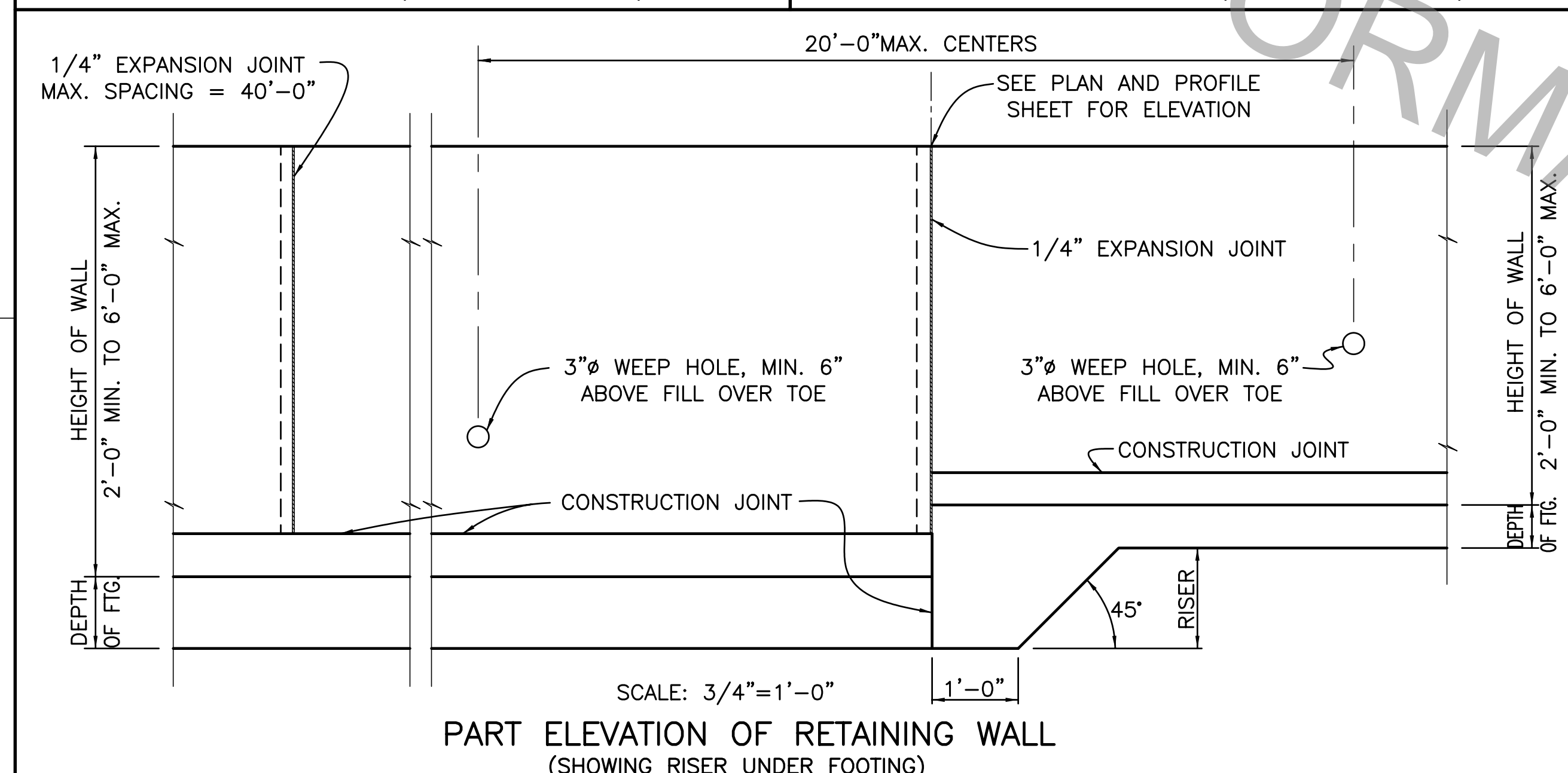
QUANTITIES PER LIN. FOOT OF WALL
DEFORMED REINF. STEEL = 11.24 LBS.
STRUCT. CONCRETE = 0.1255 CU. YDS.



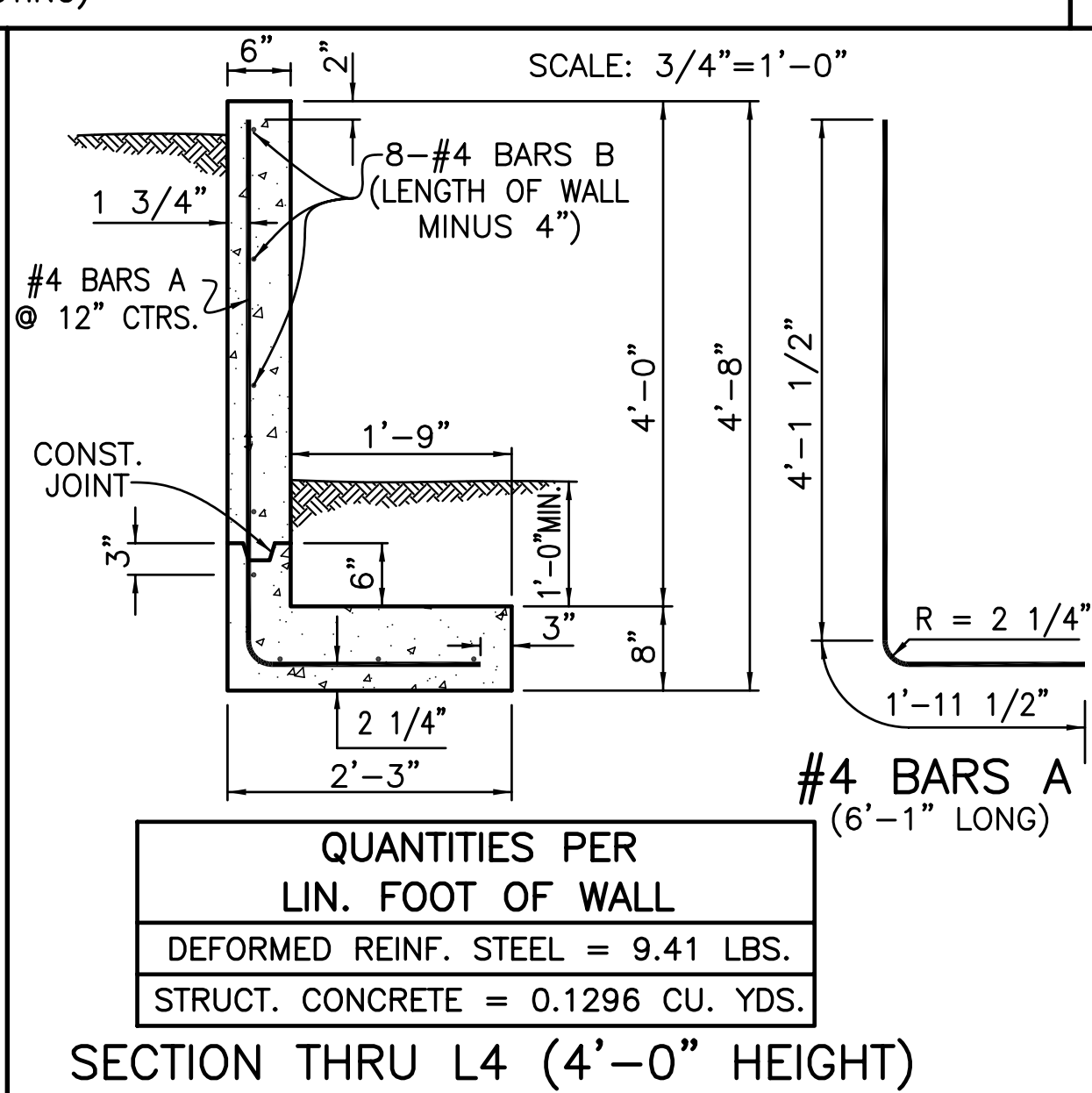
QUANTITIES PER LIN. FOOT OF WALL
DEFORMED REINF. STEEL = 5.34 LBS.
STRUCT. CONCRETE = 0.0658 CU. YDS.



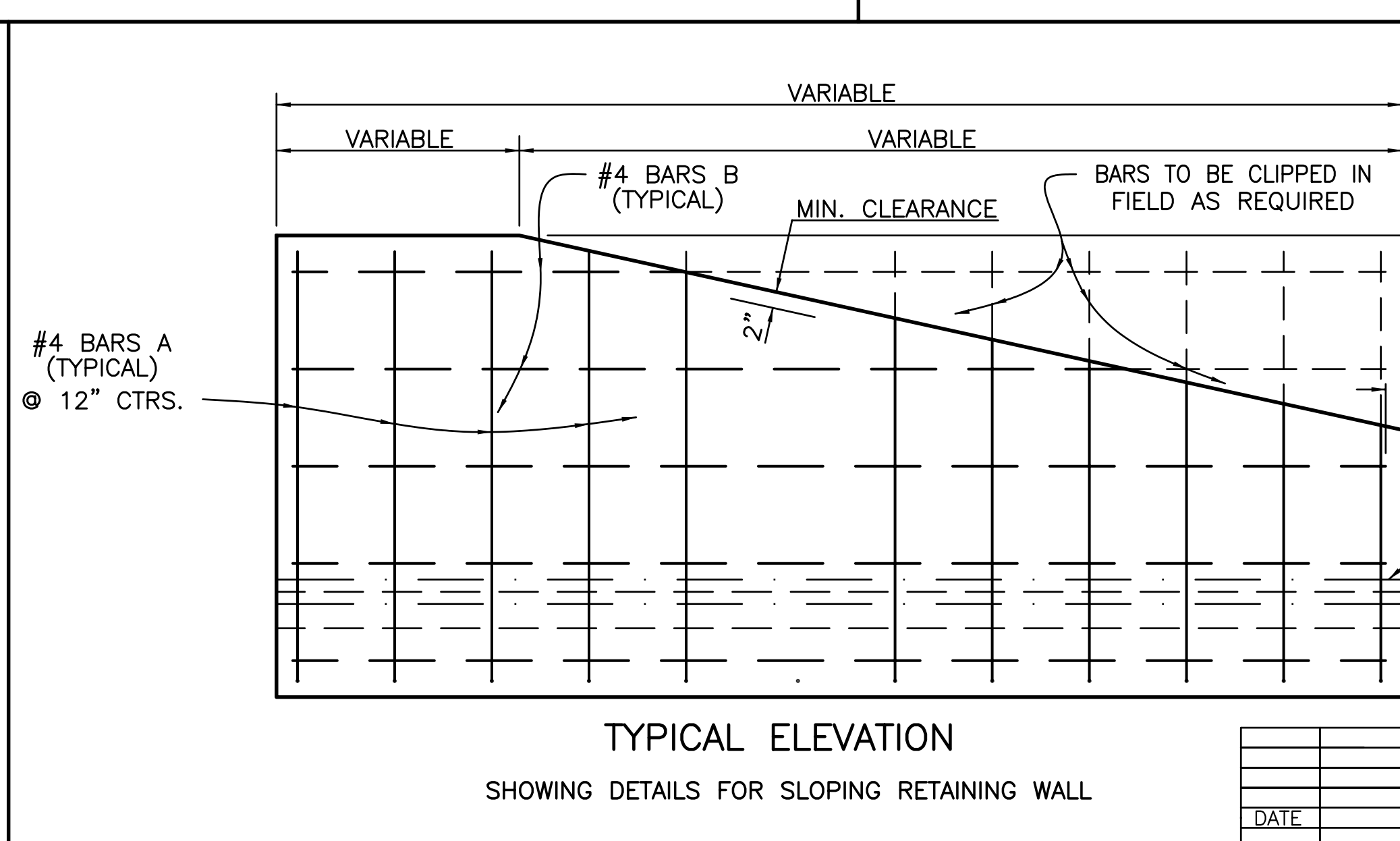
QUANTITIES PER LIN. FOOT OF WALL
DEFORMED REINF. STEEL = 6.96 LBS.
STRUCT. CONCRETE = 0.0947 CU. YDS.



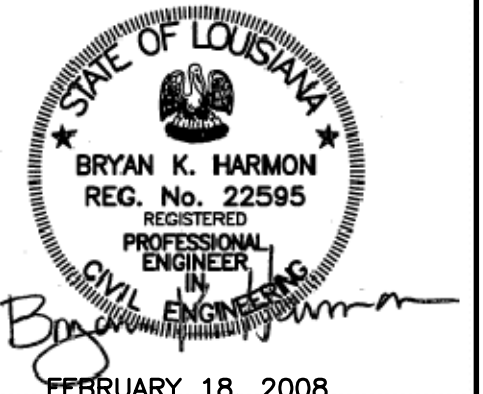
QUANTITIES PER LIN. FOOT OF WALL
DEFORMED REINF. STEEL = 11.97 LBS.
STRUCT. CONCRETE = 0.1687 CU. YDS.



QUANTITIES PER LIN. FOOT OF WALL
DEFORMED REINF. STEEL = 9.41 LBS.
STRUCT. CONCRETE = 0.1296 CU. YDS.



NOTES:  
 DIMENSIONS RELATING TO REINFORCING STEEL ARE TO BAR CENTERS.  
 CHAMFER ALL EXPOSED EDGES 3/4".  
 PLACE 2'X2' GEOTEXTILE FABRIC AND 2 CU. FT. OF LARGE GRAVEL OR STONE BEHIND EACH WEEP HOLE.



STANDARD PLAN NO. 601-01	DATED FEBRUARY 18, 2008	SHEET NO. 1 OF 1
--------------------------	-------------------------	------------------

MISCELLANEOUS RETAINING WALL DETAILS			
ENGINEERING DIVISION DEPARTMENT OF PUBLIC WORKS CITY OF BATON ROUGE & PARISH OF EAST BATON ROUGE			
DESIGNED R. ELLIS	DRAWN G. VANNICE	CHECKED R. ELLIS	APPROVED B. HARMON

ENGINEERING ACCOUNTS STDLAY FORM 6-V